



US00D604961S

(12) **United States Design Patent**
Barry

(10) **Patent No.:** **US D604,961 S**

(45) **Date of Patent:** **** Dec. 1, 2009**

(54) **GUITAR STAND**

Primary Examiner—Caron Veynar

Assistant Examiner—Sydney R Buffalow

(76) Inventor: **Mark Barry**, 13819 Olive Park Pl.,
Poway, CA (US) 92064

(74) *Attorney, Agent, or Firm*—John K. Buche; Buche &
Associates, PC

(**) Term: **14 Years**

(57) **CLAIM**

(21) Appl. No.: **29/339,708**

The ornamental design for a guitar stand, as shown and
described.

(22) Filed: **Jul. 6, 2009**

(51) **LOC (9) Cl.** **06-04**

(52) **U.S. Cl.** **D6/466**

(58) **Field of Classification Search** D6/411,
D6/317, 320, 328, 552, 554, 566, 466, 462,
D6/310, 312, 553; 211/85.6, 181.1, 90.03;
248/304, 339; 84/327; 223/88; D8/372,
D8/367, 370, 373

See application file for complete search history.

DESCRIPTION

FIG. 1 is a forward overhead perspective view of a guitar
stand.

FIG. 2 is a back plan view of the guitar stand of FIG. 1.

FIG. 3 is a front plan view of the guitar stand of FIG. 1.

FIG. 4 is a top plan view of the guitar stand of FIG. 1.

FIG. 5 is a bottom plan view of the guitar stand of FIG. 1.

FIG. 6 is a right side plan view of the guitar stand of FIG. 1;
and,

FIG. 7 is a left side plan view of the guitar stand of FIG. 1.

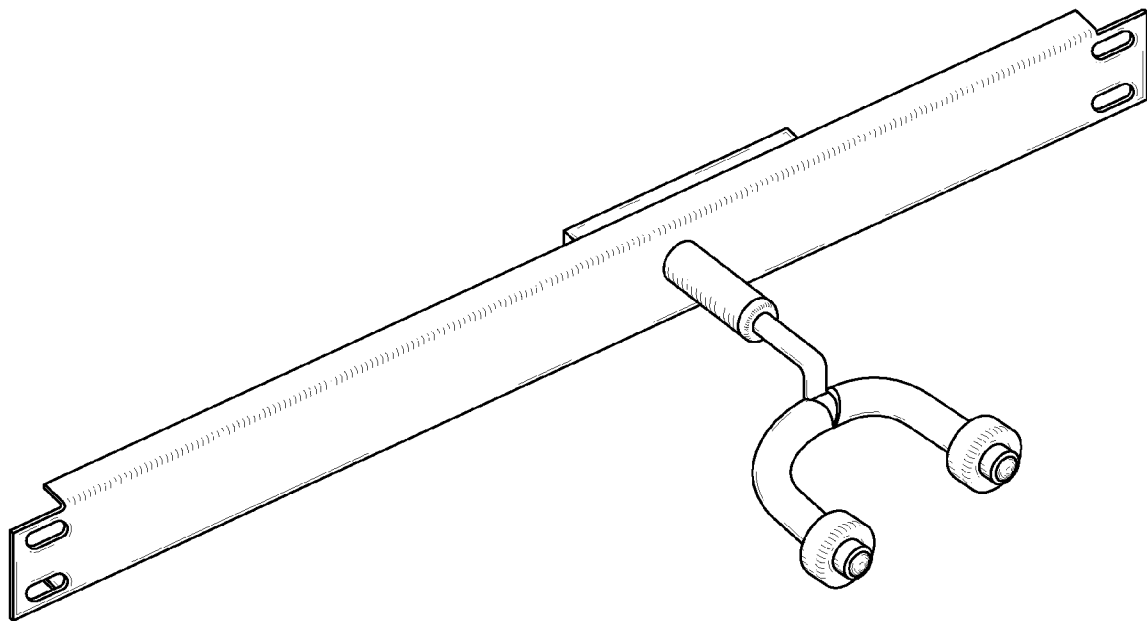
(56) **References Cited**

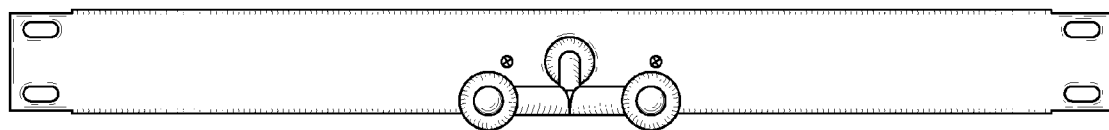
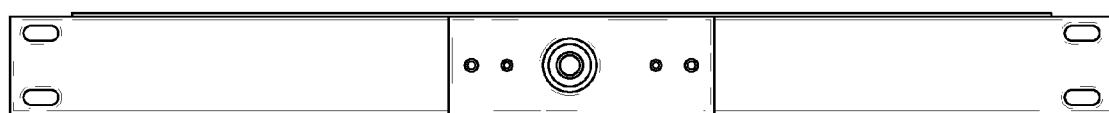
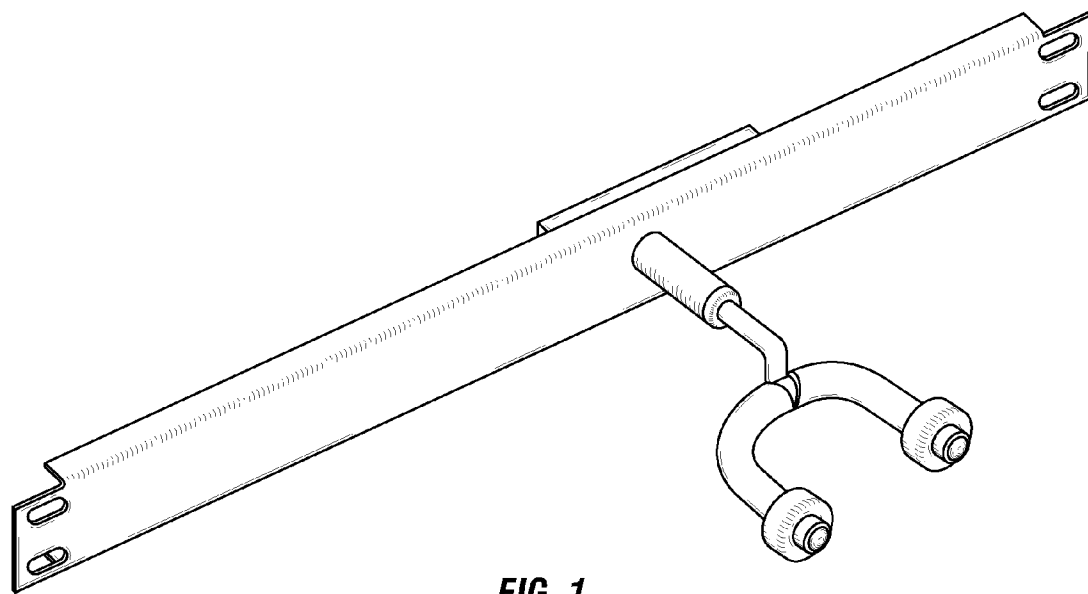
U.S. PATENT DOCUMENTS

D283,786	S *	5/1986	Chap	D8/370
D498,963	S *	11/2004	Sung-Feng	D6/553
D542,126	S *	5/2007	Ernst et al.	D8/373
7,484,701	B2 *	2/2009	Hsieh	248/339
2009/0014400	A1 *	1/2009	Nawrocki	211/90.03

* cited by examiner

1 Claim, 2 Drawing Sheets





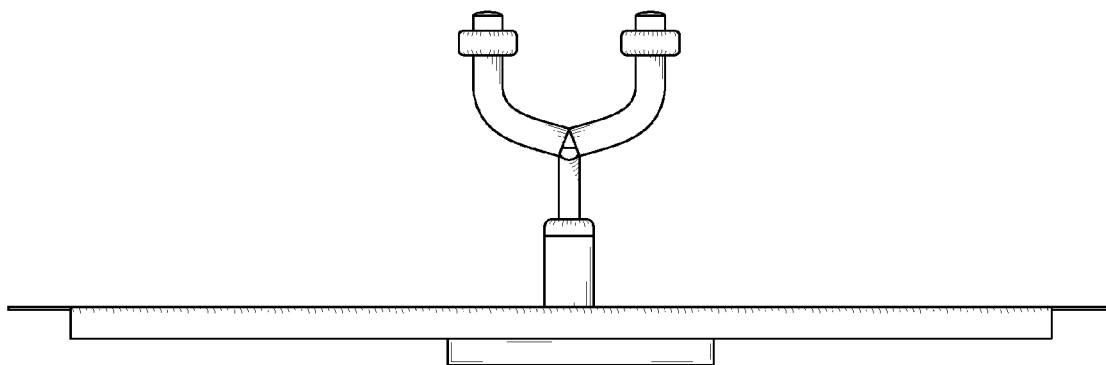


FIG. 4

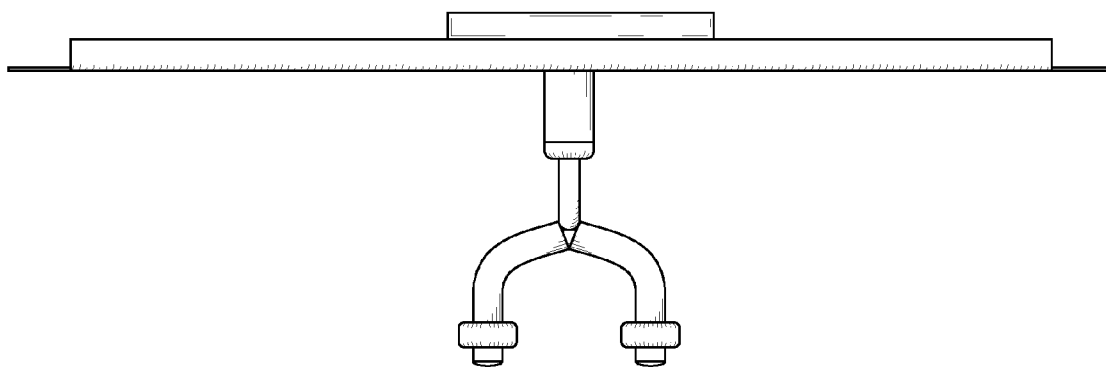


FIG. 5

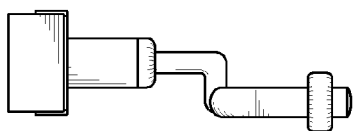


FIG. 6

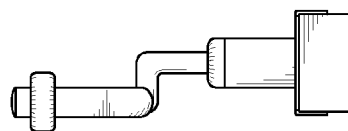


FIG. 7