



US008674205B2

(12) **United States Patent**
Voorhees

(10) **Patent No.:** **US 8,674,205 B2**
(45) **Date of Patent:** **Mar. 18, 2014**

(54) **PORTABLE STAND AND MOUNT FOR
SECURING A PORTABLE MEDIA OR AUDIO
PLAYER TO A SUPPORT**

(71) Applicant: **Jeffrey Voorhees**, Encino, CA (US)

(72) Inventor: **Jeffrey Voorhees**, Encino, CA (US)

(*) Notice: Subject to any disclaimer, the term of this patent is extended or adjusted under 35 U.S.C. 154(b) by 0 days.

(21) Appl. No.: **13/628,601**

(22) Filed: **Sep. 27, 2012**

(65) **Prior Publication Data**
US 2013/0021745 A1 Jan. 24, 2013

Related U.S. Application Data
(63) Continuation of application No. 12/855,665, filed on Aug. 12, 2010, now Pat. No. 8,294,014.
(60) Provisional application No. 61/233,814, filed on Aug. 13, 2009.

(51) **Int. Cl.**
G10D 9/00 (2006.01)

(52) **U.S. Cl.**
USPC **84/453; 84/329**

(58) **Field of Classification Search**
USPC 84/453, 429
See application file for complete search history.

(56) **References Cited**
U.S. PATENT DOCUMENTS

2,663,764	A *	12/1953	Holmes	379/454
5,187,744	A *	2/1993	Richter	379/449
D473,562	S *	4/2003	Russell	D14/447

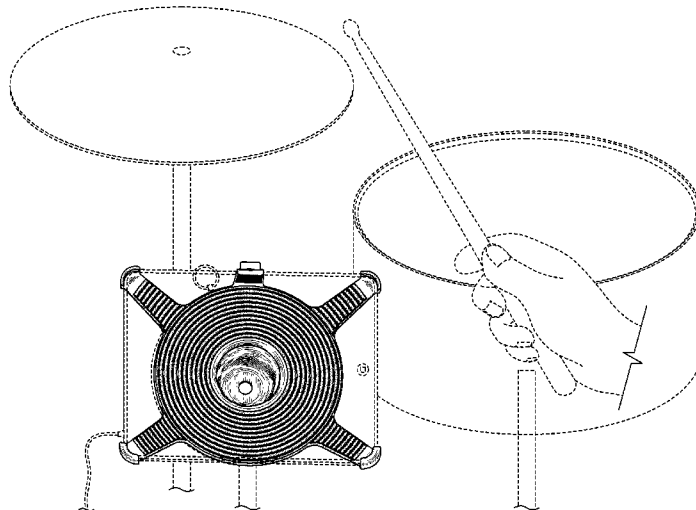
D473,563	S *	4/2003	Russell	D14/447
6,966,533	B1 *	11/2005	Kalis et al.	248/316.4
D560,470	S *	1/2008	Short et al.	D8/354
D564,220	S *	3/2008	Dixon	D3/218
D565,938	S *	4/2008	Massoumi et al.	D8/363
D566,531	S *	4/2008	Massoumi et al.	D8/363
D579,319	S *	10/2008	Short	D8/354
D592,188	S *	5/2009	Huang	D14/217
7,542,052	B2 *	6/2009	Solomon et al.	345/659
D614,613	S *	4/2010	Kim et al.	D14/253
7,952,569	B2 *	5/2011	Hunt et al.	345/179
D640,707	S *	6/2011	Yeh	D14/447
D641,610	S *	7/2011	Sedalo	D8/354
8,007,188	B2 *	8/2011	Orf	396/419
D646,315	S *	10/2011	Orf	D16/242
D650,372	S *	12/2011	Molter	D14/239
D650,774	S *	12/2011	Molter	D14/239
D652,836	S *	1/2012	Voorhees	D14/447
D653,668	S *	2/2012	Song et al.	D14/447
D658,651	S *	5/2012	Lee et al.	D14/452
D660,306	S *	5/2012	Voorhees	D14/447
8,267,294	B2 *	9/2012	Yu et al.	224/623
8,294,014	B2 *	10/2012	Voorhees	84/453
D673,960	S *	1/2013	Lindfield et al.	D14/447
D674,803	S *	1/2013	Westrup	D14/440
D674,804	S *	1/2013	Cote	D14/447
2002/0011544	A1 *	1/2002	Bosson	248/121
2009/0009936	A1 *	1/2009	Neu et al.	361/679
2009/0060473	A1 *	3/2009	Kohte et al.	386/124
2009/0219677	A1 *	9/2009	Mori et al.	361/679.03
2011/0278885	A1 *	11/2011	Procter et al.	297/135
2011/0283863	A1 *	11/2011	Dunlop	84/329
2011/0297711	A1 *	12/2011	Yu et al.	224/272
2013/0009032	A1 *	1/2013	Polletta et al.	248/440.1
2013/0021745	A1 *	1/2013	Voorhees	361/679.41

* cited by examiner

Primary Examiner — Robert W Horn
(74) *Attorney, Agent, or Firm* — John K. Buche; Buche & Associates, P.C.

(57) **ABSTRACT**
Disclosed is an apparatus for securing a media or audio player to a support and the related methods of use.

20 Claims, 14 Drawing Sheets



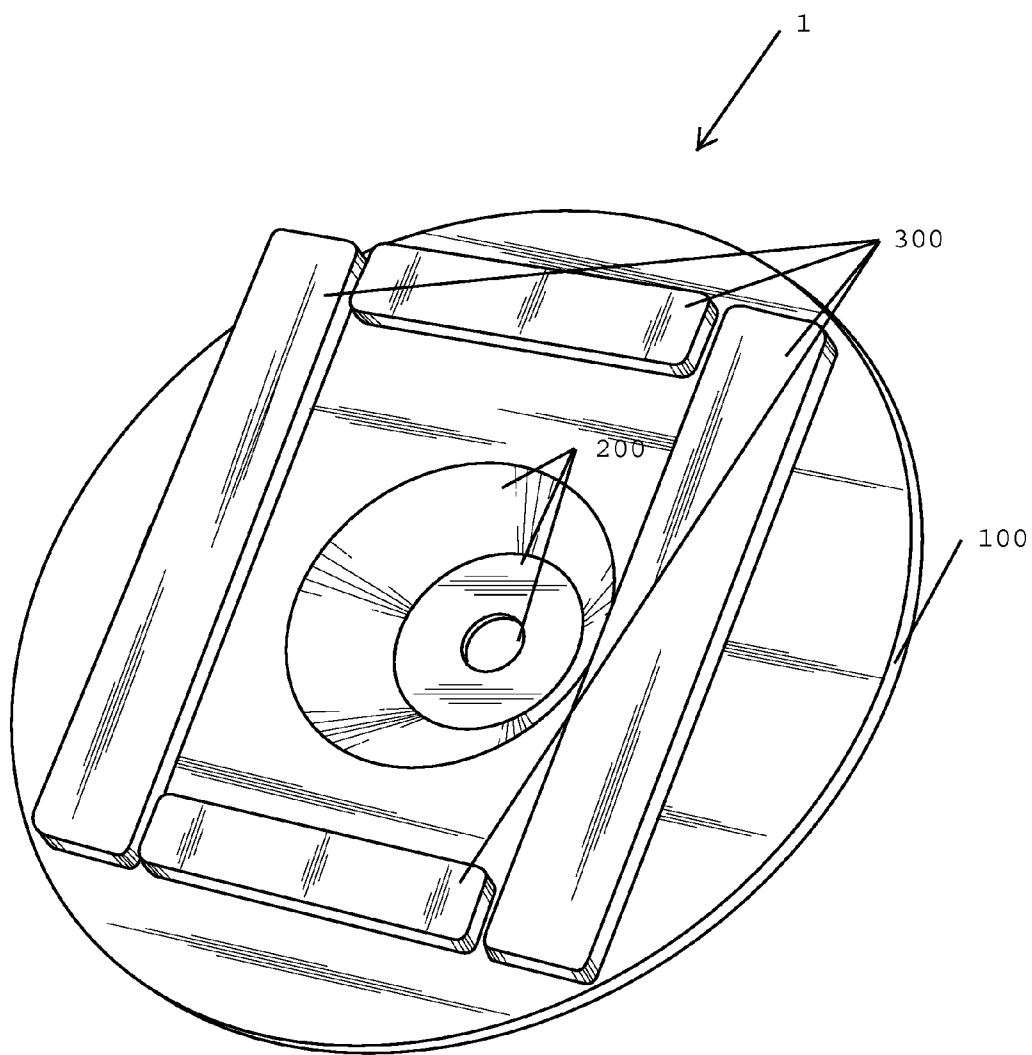


FIG. 1

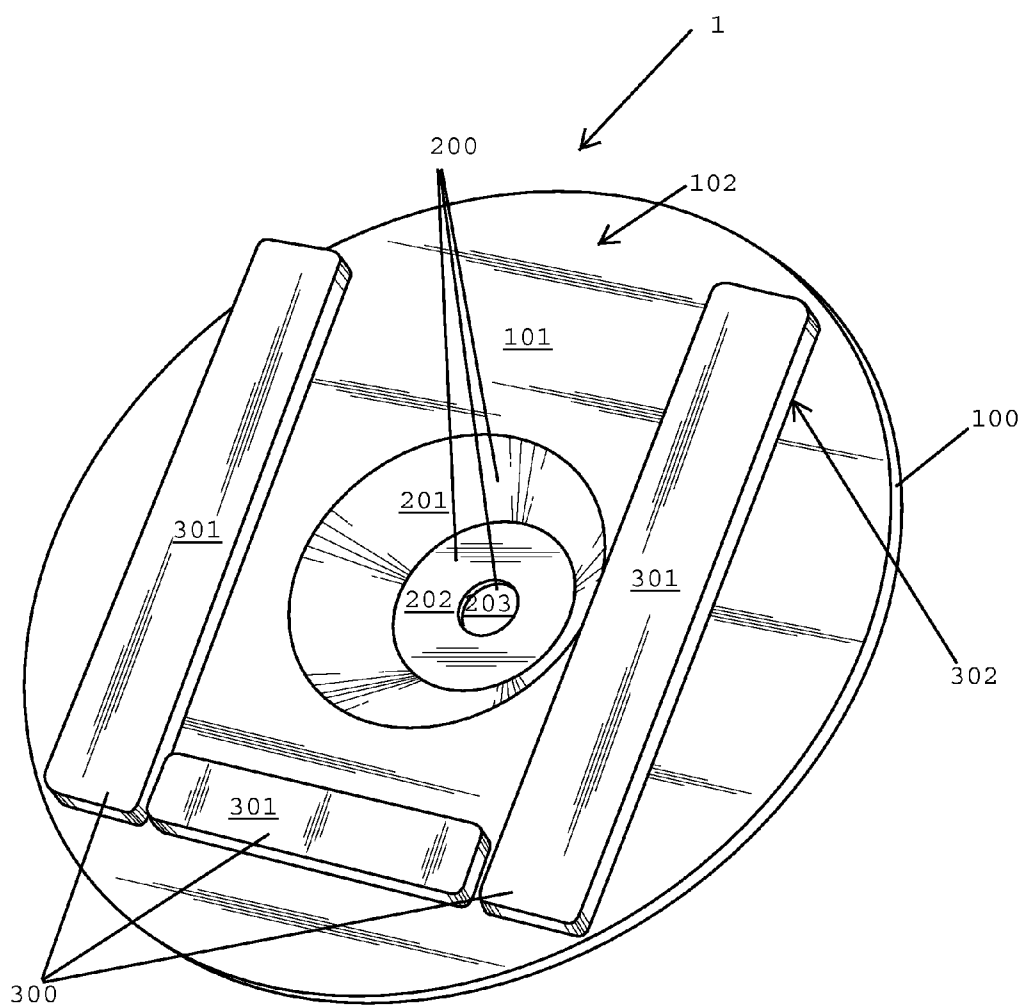


FIG. 2

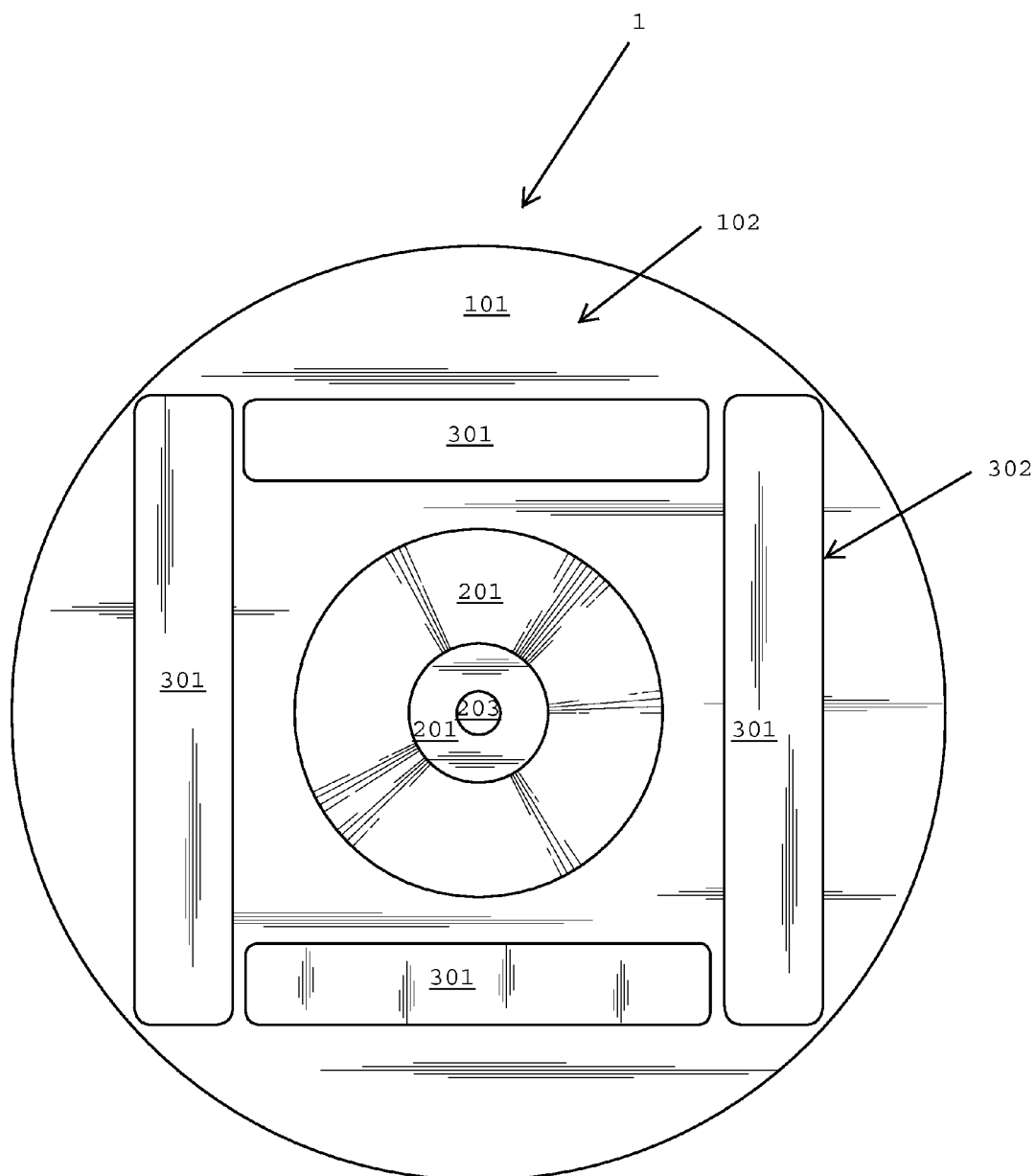


FIG. 3

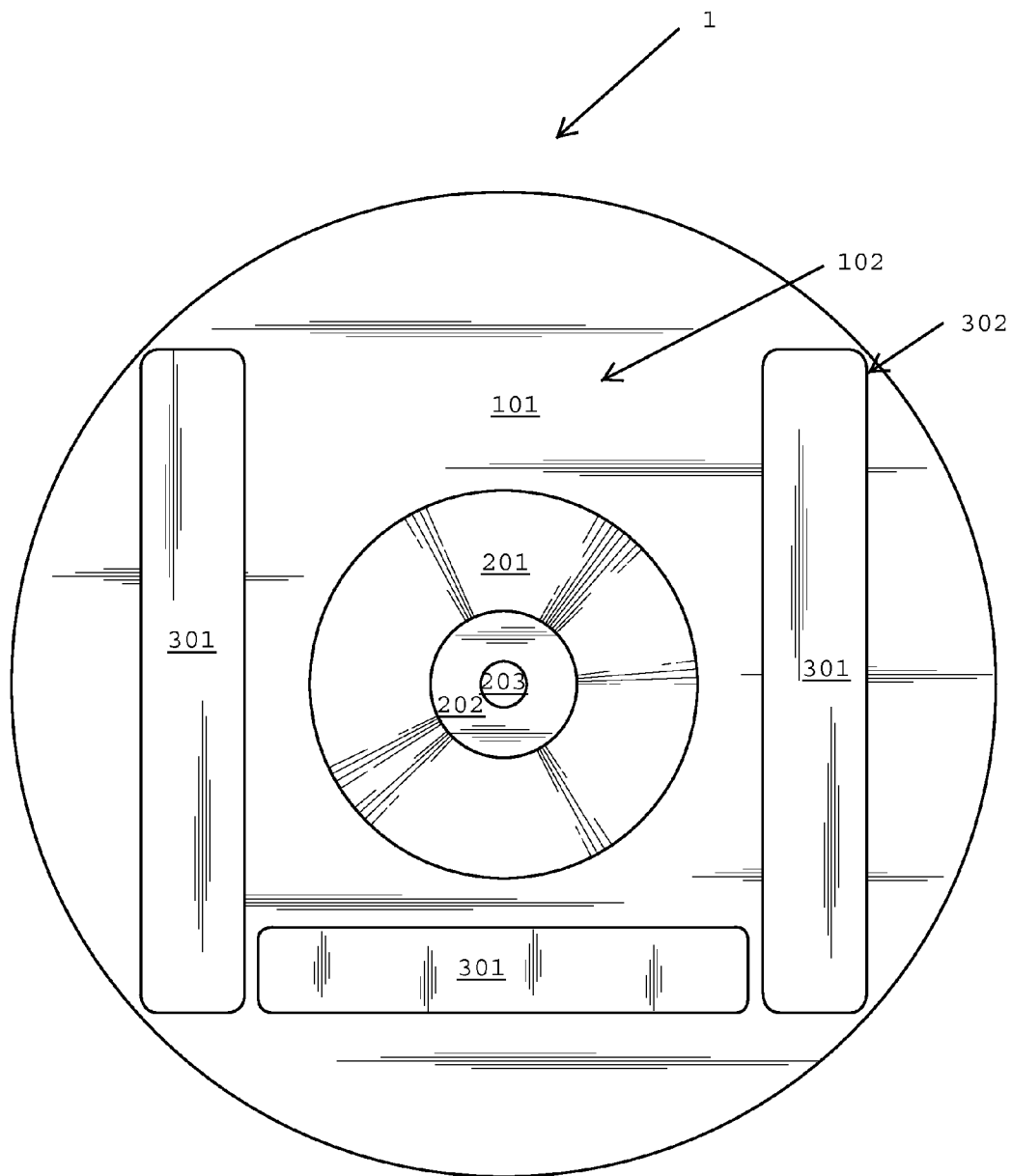
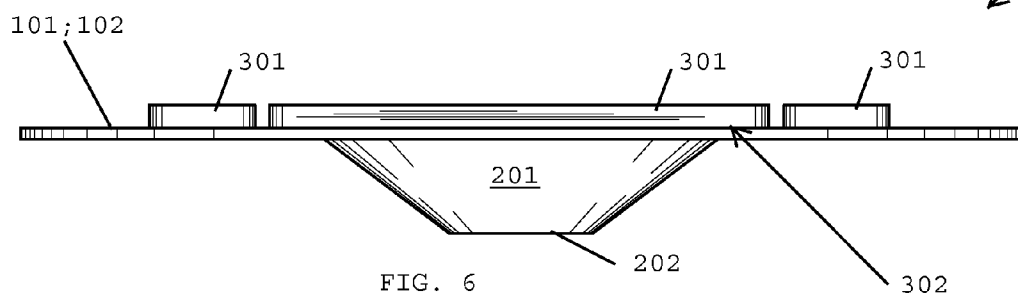
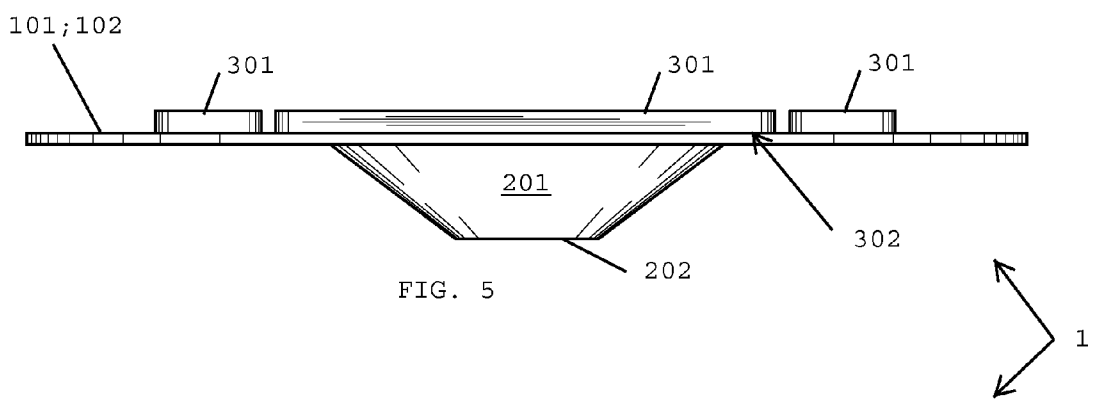


FIG. 4



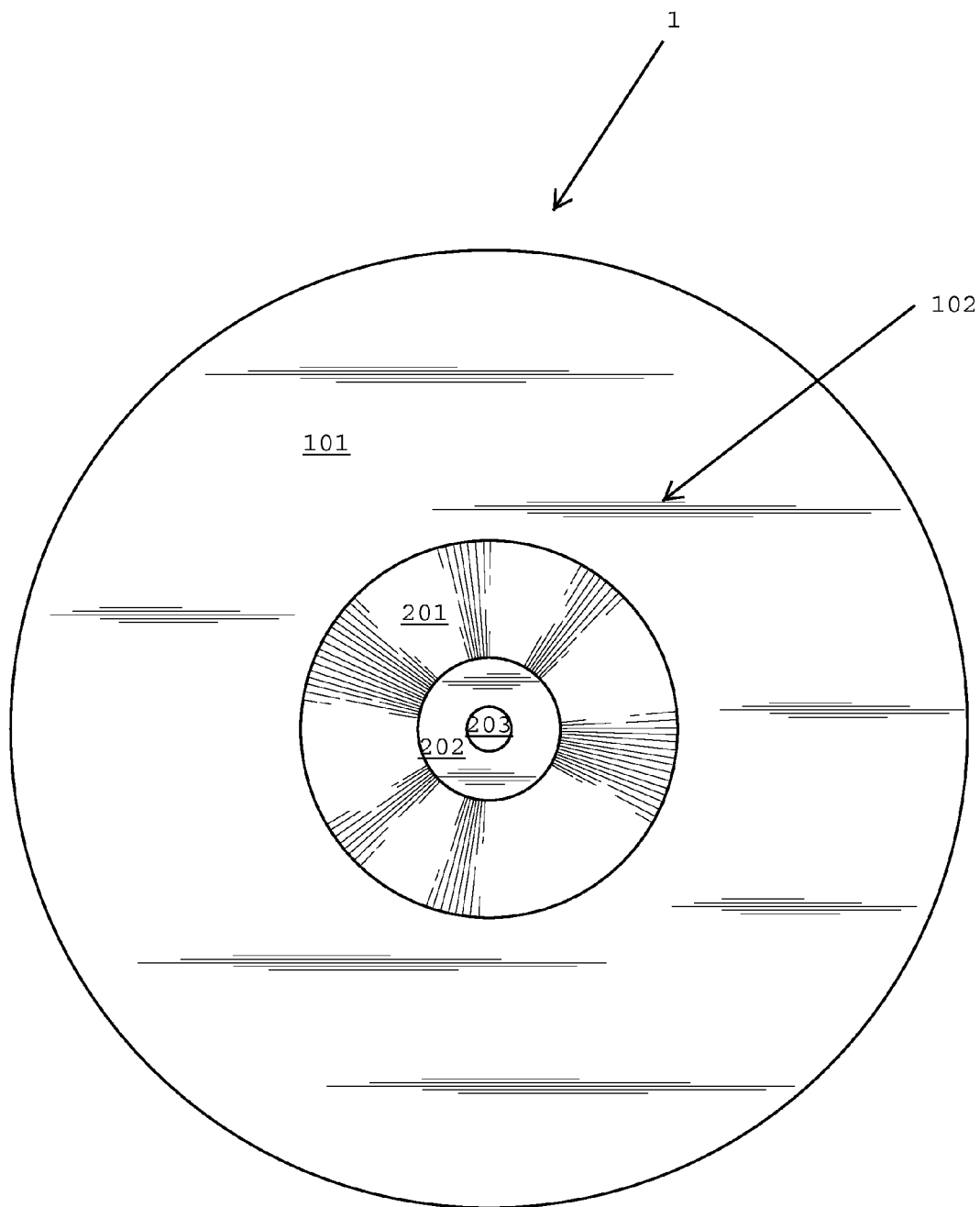


FIG. 7

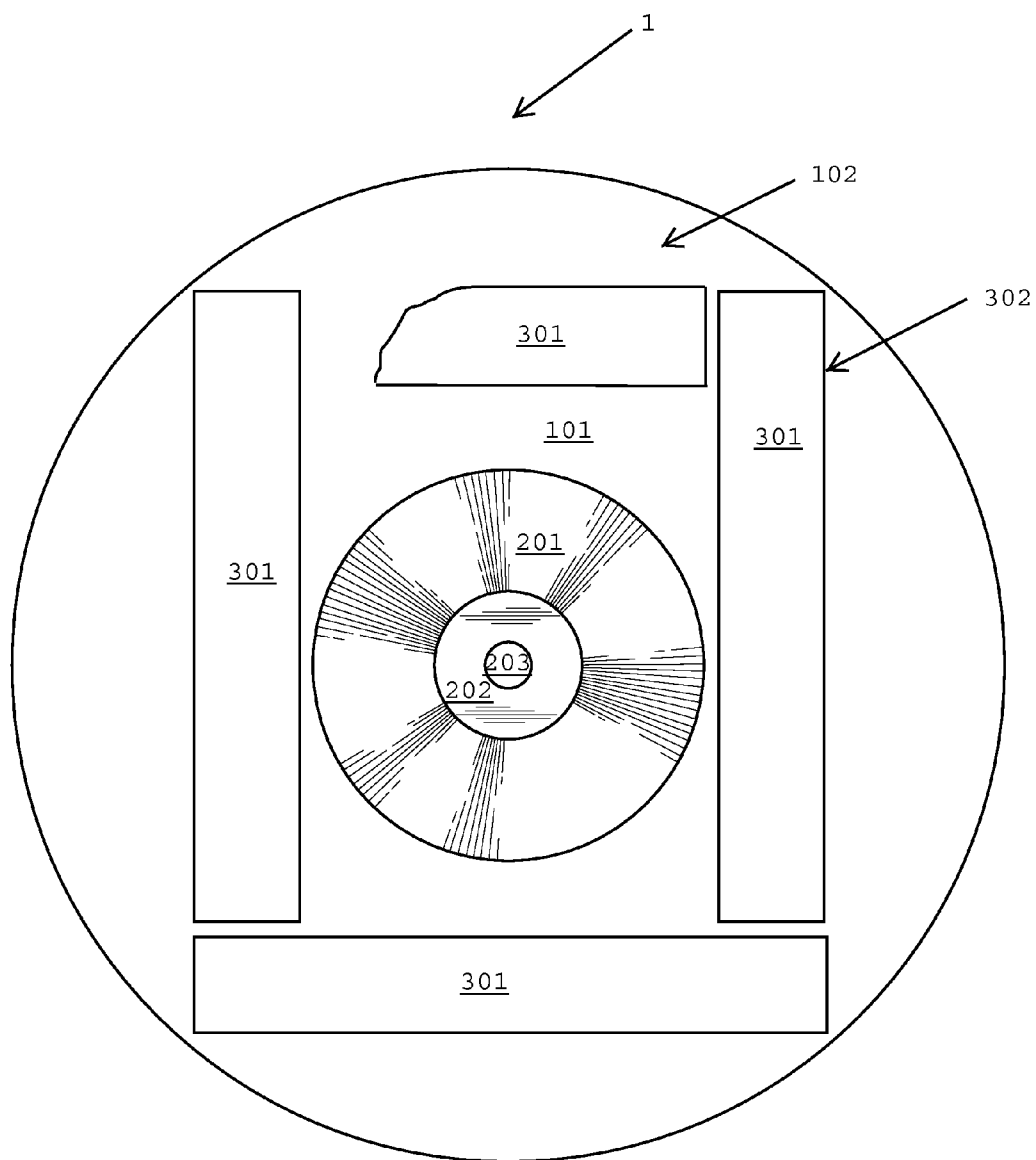


FIG. 8

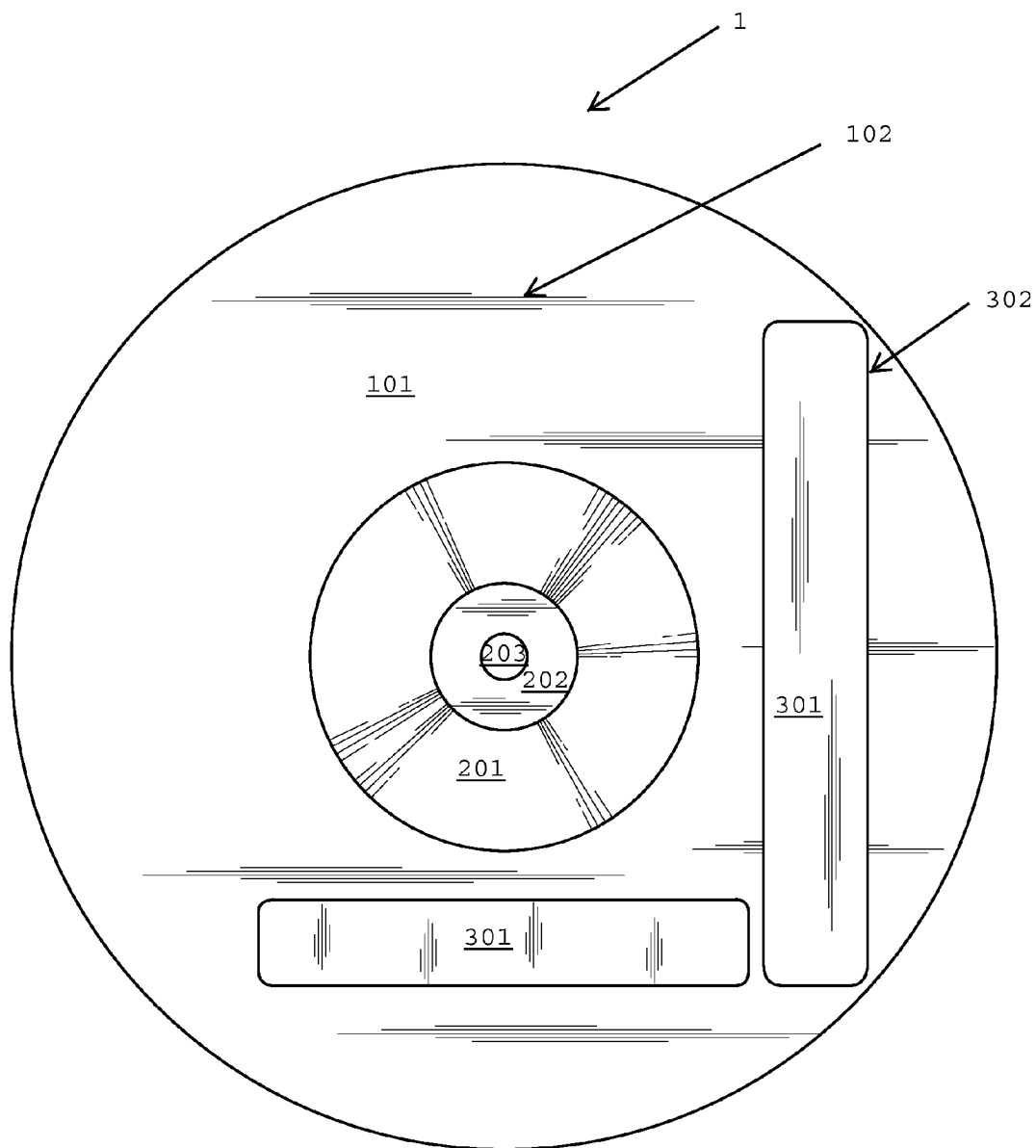


FIG. 9

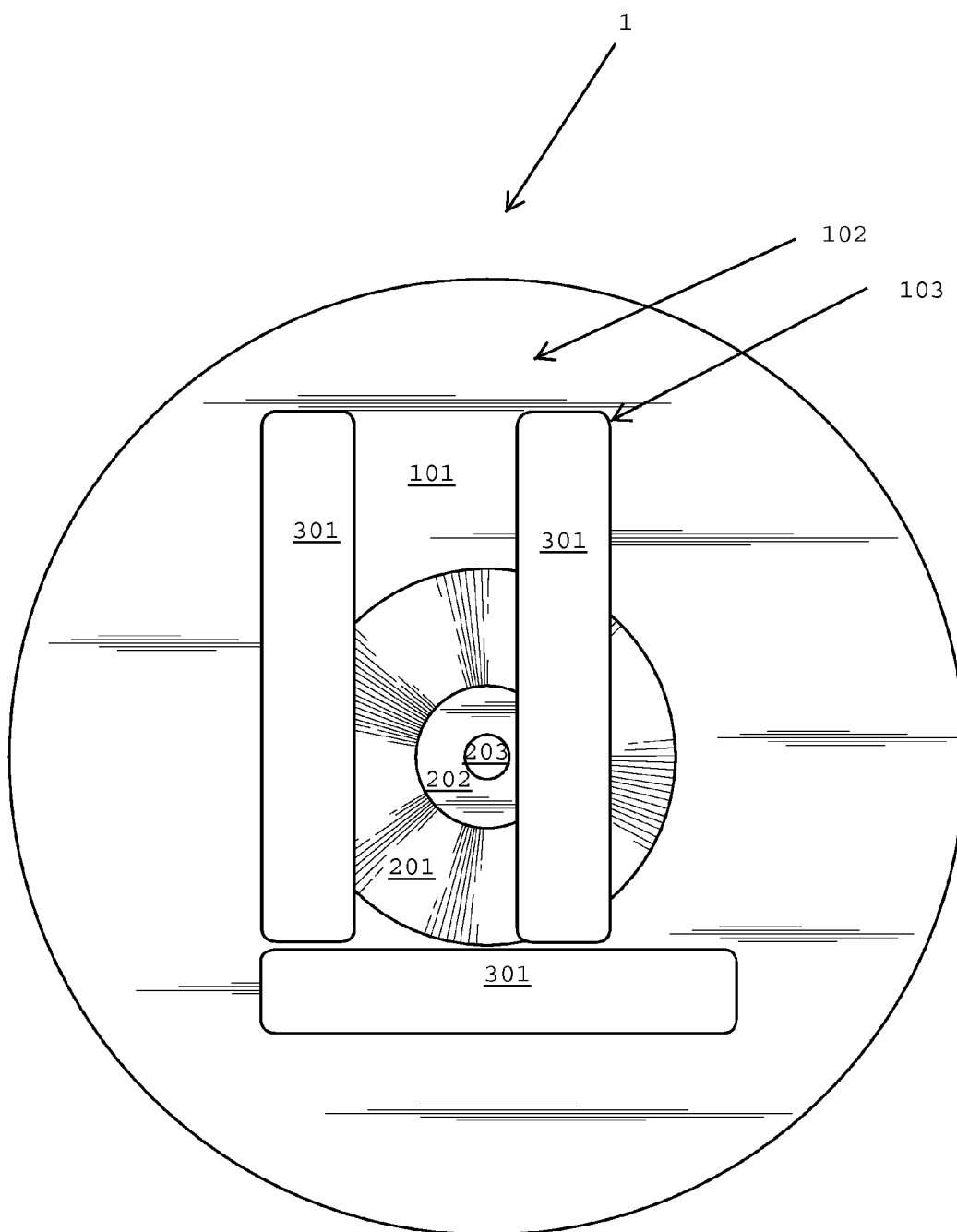


FIG. 10

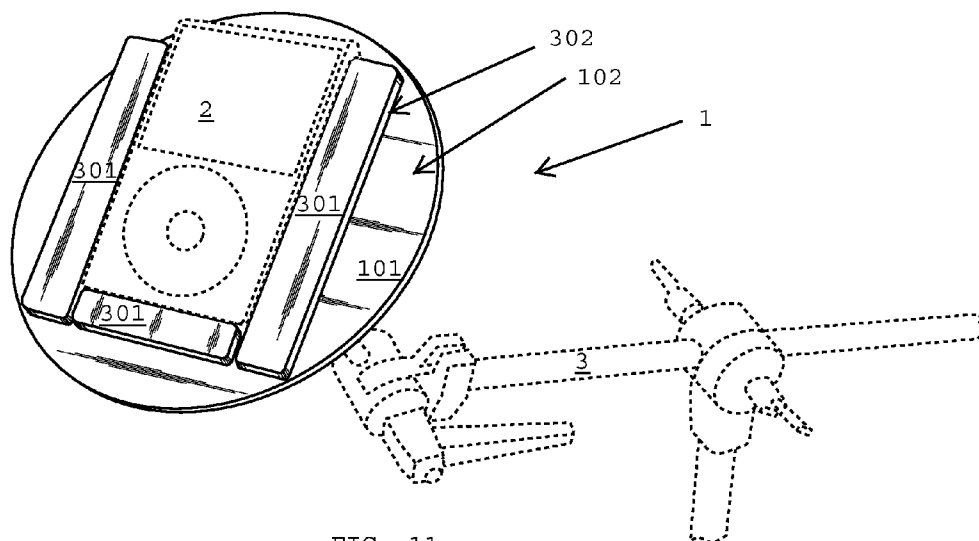


FIG. 11

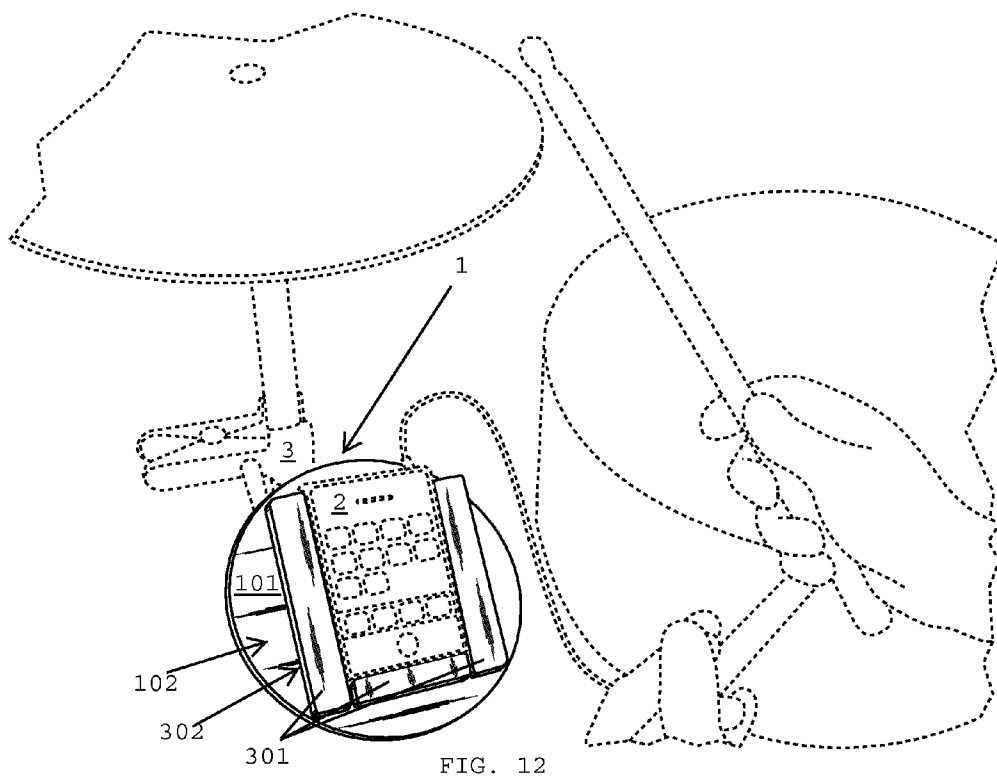


FIG. 12

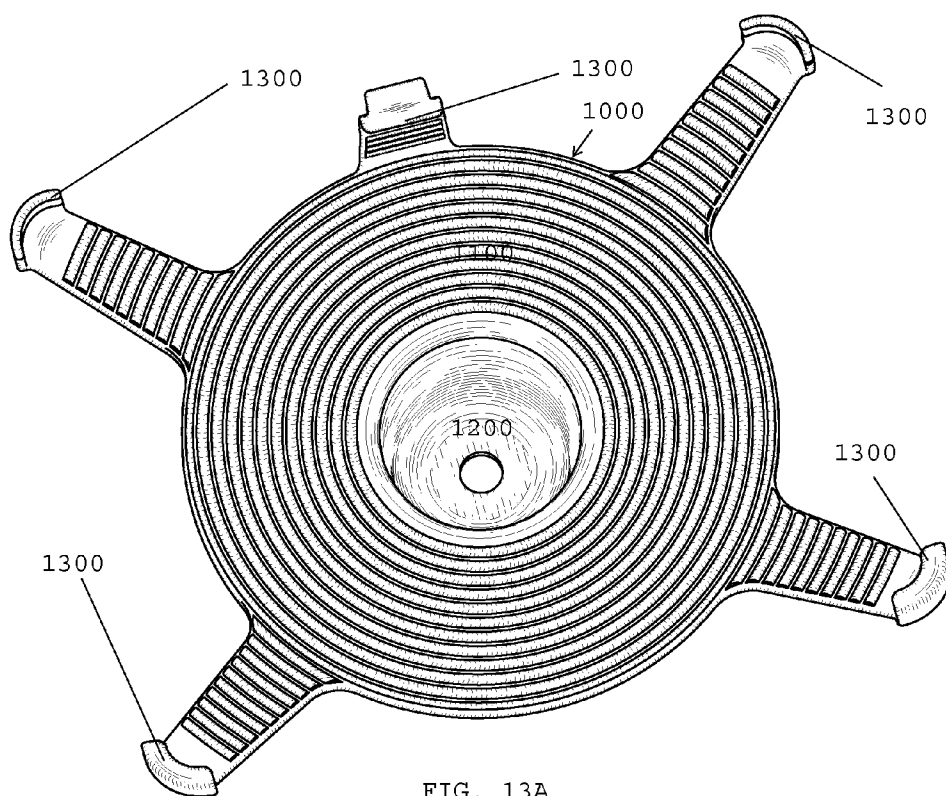


FIG. 13A

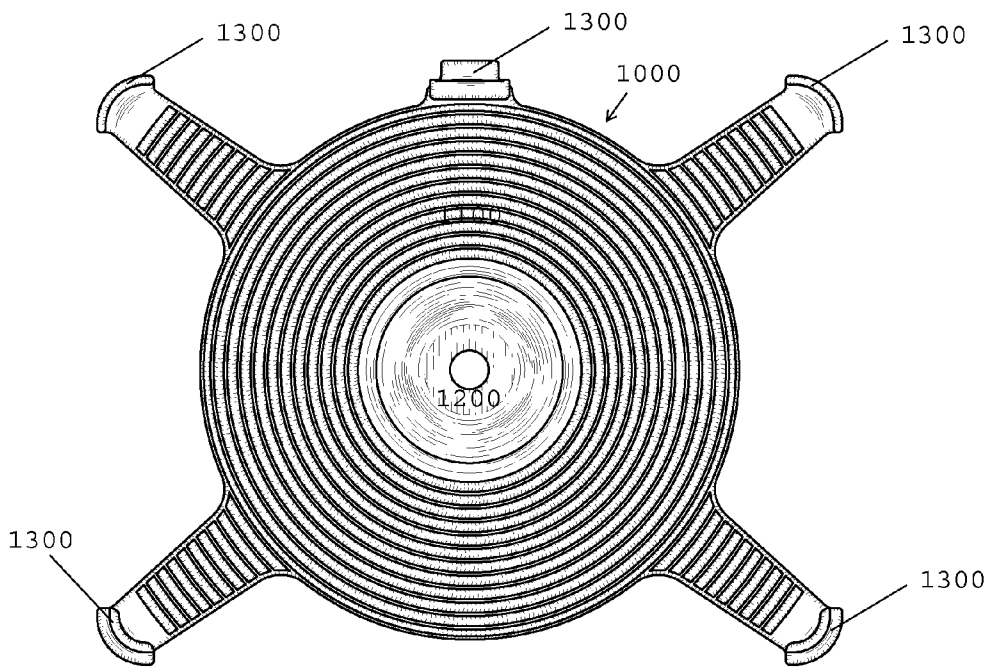


FIG. 13B

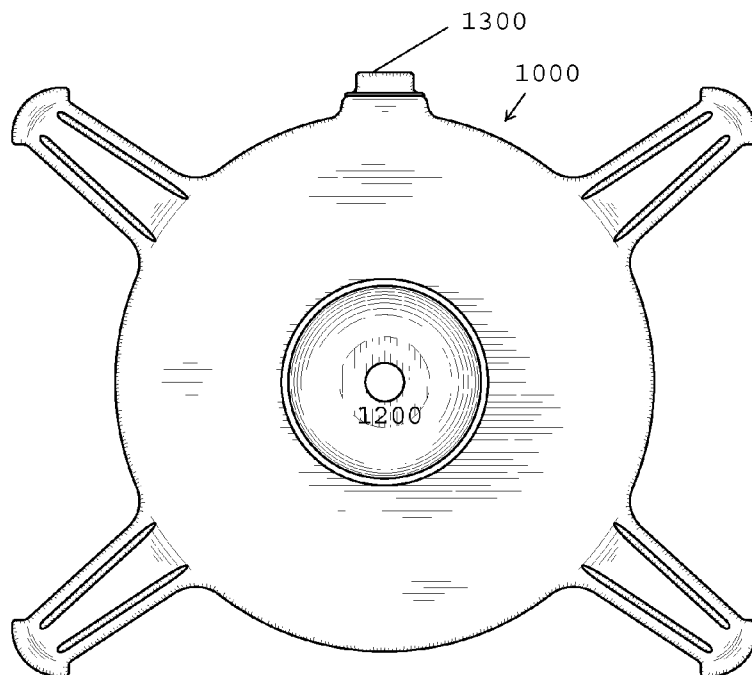


FIG. 13C

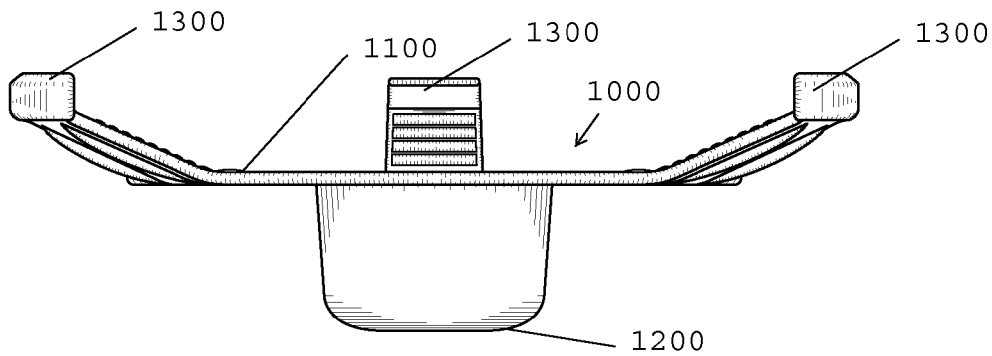


FIG. 13D

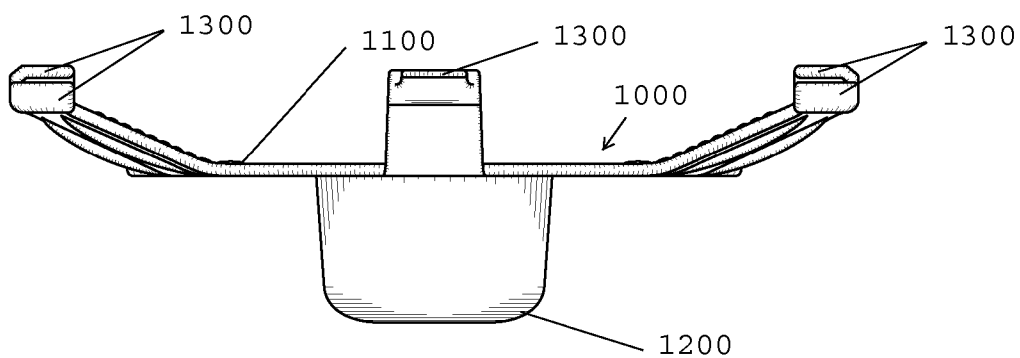


FIG. 13E

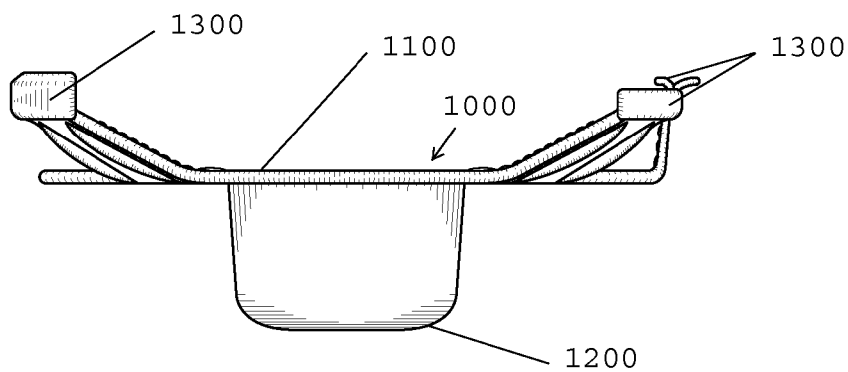


FIG. 13F

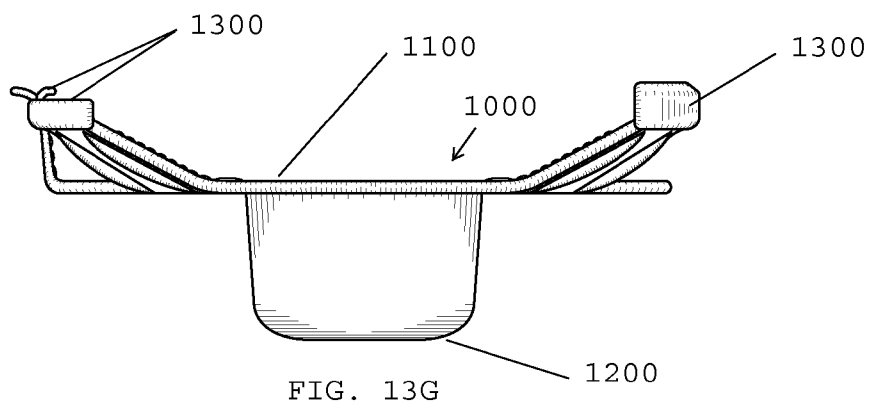


FIG. 13G

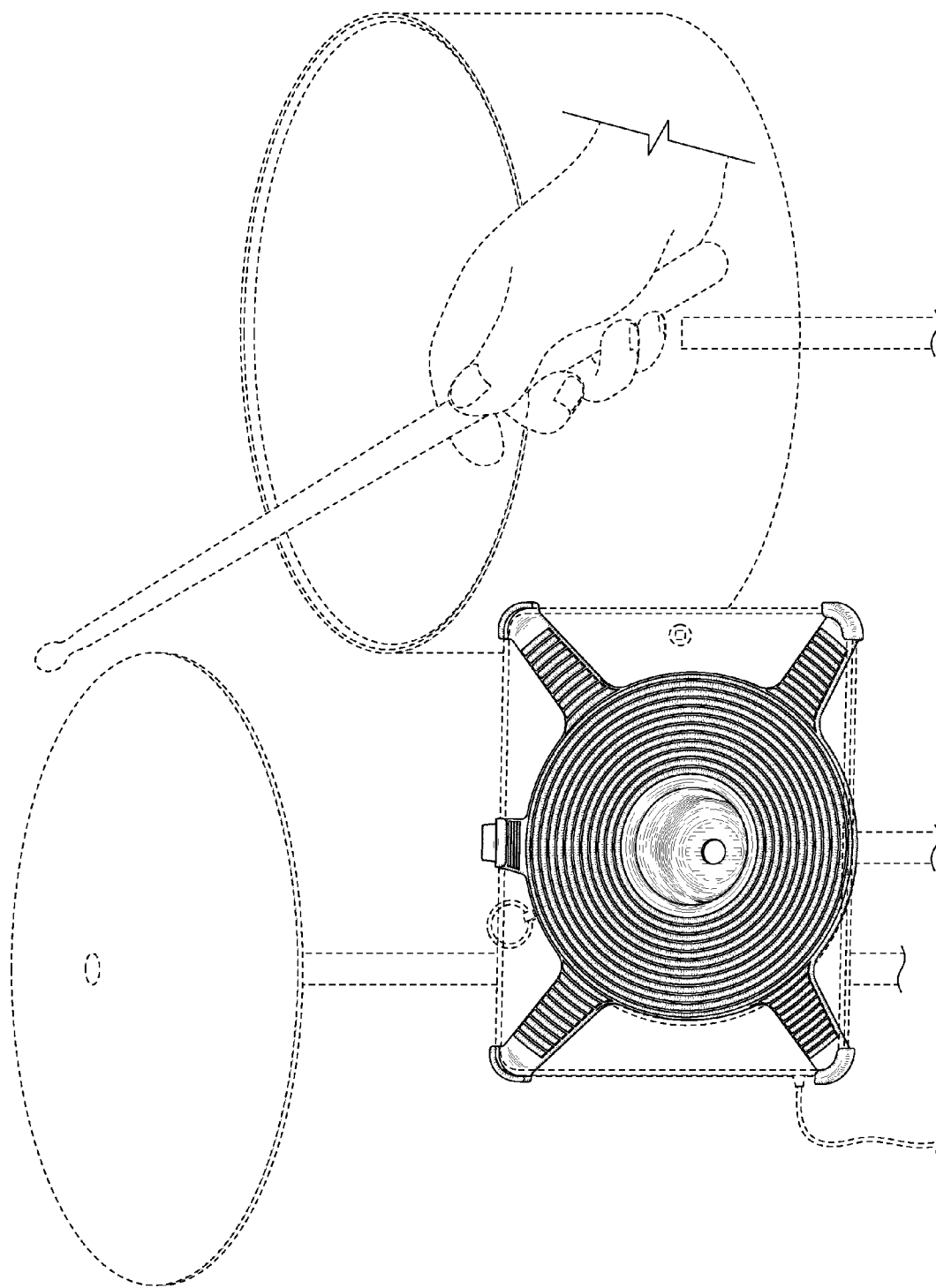


FIG. 13H

1

PORTABLE STAND AND MOUNT FOR SECURING A PORTABLE MEDIA OR AUDIO PLAYER TO A SUPPORT

CROSS-REFERENCE TO RELATED APPLICATIONS

This application is a continuation of U.S. patent application Ser. No. 12/855,665 (filed Aug. 12, 2010) which claims the priority of U.S. Prov. Pat. App. Ser. No. 61/233,814 (filed Aug. 13, 2009) entitled "A PORTABLE STAND AND MOUNT FOR SECURING A PORTABLE MEDIA OR AUDIO PLAYER TO A SUPPORT." Those documents are hereby incorporated by reference in their entirety.

STATEMENT REGARDING FEDERALLY SPONSORED RESEARCH OR DEVELOPMENT

Not applicable.

BACKGROUND OF THE INVENTION

1. Field of Invention

This invention is in the field of an apparatus for securing a portable media or audio player to a drum kit or other musical instrument or a support.

2. Background of the Invention

Various types and sizes of media or audio players are available for use by a musical instrument playing musician. Frequently, musicians, especially drummers, use the media/audio players to produce accompaniment for practicing or performing the operation of their chosen musical instrument. Accordingly, the musician must change, from time-to-time, between operation of the media/audio player and the musical instrument.

Under such circumstances, conventional use and operation methods for the media or audio players have typically been inadequate. Typically, the musician cannot always have the musical instrument and the media/audio player within operable reach, thereby increasing the down-time associated with operating the media/audio player. Furthermore, the typical location for the musician to place the media/audio player is not readily adaptable to media/audio players of differing sizes and shapes.

SUMMARY OF THE INVENTION

Accordingly, it is an object of the present invention to provide an apparatus and the associated methods for placing a media and audio player within the operable reach of a musician playing a musical instrument, possibly even on the instrument itself.

It is an object of the present invention to provided an apparatus and the associated methods for providing a location wherein media/audio players of different physical dimensions and shapes may be placed.

It is an object of the present invention to provided an apparatus and the associated methods for facilitating the media/audio player accompaniment of a musician playing a musical instrument.

It is yet another object of the present invention to provided an apparatus adjustable to accommodate different devices and positions as well as rapid placement and removal.

BRIEF DESCRIPTION OF THE FIGURES

Other objectives of the invention will become apparent to those skilled in the art once the invention has been shown and

2

described. The manner in which these objectives and other desirable characteristics can be obtained is explained in the following description and attached figures.

FIG. 1 is an overhead perspective view of the apparatus 1 of the present application.

FIG. 2 is an overhead perspective view of another configuration of the apparatus 1 of the present invention.

FIG. 3 is a top view of the apparatus 1 depicted in FIG. 1.

FIG. 4 is a top view of the apparatus 1 depicted in FIG. 2.

FIG. 5 is a side view of the apparatus 1 depicted in FIGS. 1 and 3.

FIG. 6 is a side view of the apparatus 1 depicted in FIGS. 2 and 4.

FIGS. 7, 8, 9, and 10 are top views of alternative configurations of the apparatus 1 of the present invention.

FIG. 11 is a perspective view of the apparatus 1 attached to a support 3.

FIG. 12 is a contextual view of the apparatus 1 attached to a drum kit.

FIG. 13A is a perspective view of another apparatus 1000 of the present application.

FIG. 13B is a front plan view of the apparatus 1000 of FIG. 13A.

FIG. 13C is a back plan view of the apparatus 1000 of FIG. 13A.

FIG. 13D is a top plan view of the apparatus 1000 of FIG. 13A.

FIG. 13E is a bottom plan view of the apparatus 1000 of FIG. 13A.

FIG. 13F is a right side plan view of the apparatus 1000 of FIG. 13A.

FIG. 13G is a left side plan view of the apparatus 1000 of FIG. 13A.

FIG. 13H is an environmental view of the apparatus 1000 of FIG. 13A.

It is to be noted, however, that the appended figures illustrate only typical embodiments of this invention and are therefore not to be considered limiting of its scope, for the invention may admit to other equally effective embodiments that will be appreciated by those reasonably skilled in the relevant arts. Also, figures are not necessarily made to scale but are representative.

DETAILED DESCRIPTION OF PREFERRED EMBODIMENTS

In general, the apparatus 1 of the present invention defines a means for placing different sized and shaped media/audio players within the operable reach of a musician playing a musical instrument. In general operation, the apparatus 1 may: be removably attached to a support and positioned within the operable reach of a musician; be customized to the size and/or shape of a media/audio player; and, receive a media/audio player.

FIG. 1 illustrates an overhead perspective view of the apparatus 1 of the present invention. As seen in the figure, the apparatus 1 typically comprises three main features: (1) a support platform 100; (2) a base 200; and (3) a means for securing a particular media/audio player 300 to the apparatus 1. FIG. 2 also illustrates an overhead perspective view of the apparatus 1, but, unlike FIG. 1, FIG. 2 illustrates the securing means 300 in one of many different configurations.

FIGS. 3 and 4 respectively depict a top view of the apparatus 1 in the FIG. 1 and FIG. 2 configurations. FIGS. 3 and 4 also depict the preferable structure of the support platform 100. Still referring to FIGS. 3 and 4, the support platform 100 may be defined by a surface 101 planarily extending around

3

the top of the base **200**. Preferably, the surface **101** features an adhering means **102** for removably and repeatably associating the surface **101** with the securing means **300** (compare FIG. **3** with FIG. **4** wherein a portion of the securing means **300** has been detached from the surface **101** of the apparatus **1** to create a different securing means **300** configuration). However, as discussed below, a cooperating adhering means **302** may also be provided to the securing means **300**. In the preferable embodiment, the cooperating adhering means **102** and **302** may be a hook and loop fastener system, as has been marketed under Velcro® trademarks or some other adhesive for repeatable attachment/removal.

FIGS. **5** and **6** respectively depict a side view of the apparatus **1** in the FIG. **1** and FIG. **2** configurations. FIGS. **3** through **6** also depict the preferable structure of the base **200**. Still referring to FIG. **3** through **6**, the base **200** is preferably defined by a connecting wall **201**, a bottom **202**, and an aperture **203**.

In one embodiment, the base **200** may define a depression on the support platform **100** (i.e., the wall **201** merges into both the bottom **202** and the surface **101**). In another embodiment, the base **200** may be a separate component from the surface **101** and (in such a case) adhesive, weld, fasteners (including male-female screw and nut insertion of the base **200** into the platform **100**), and other fastening means known to one of skill in the art may be employed for assembling the base **200** and support platform **100**. Finally, the aperture **203** may define a means for attaching the apparatus **1** to a support via a nut and bolt system, or the like, interacting therewith.

FIGS. **1** through **6** respectively illustrate two different configurations of the apparatus **1**. More specifically, FIGS. **2**, **4**, and **6** depict the apparatus **1** wherein the securing means **300** has been adapted to a different configuration than depicted in FIGS. **1**, **3**, and **5**. A comparison of the two depicted configurations, discloses information about the structure and function of the securing means **300**.

FIGS. **1** and **2** best depict the preferable structure of the securing means **300**. As seen in the stated figures, the securing means **300** is defined by a plurality of support structures **301**. The specific dimensions of the support structures **301** may vary depending on the media/audio player to be supported. Subject thereto, the support structures are preferably between the thickness (i.e., distance protruding from the surface **101**) of zero-point-one centimeters (0.1 cm) and four inches (4 in). It should be noted that the size of the securing means **300** may vary in size and shape in order to accommodate plugs and volume controls used with the media/audio player (see the photos appended to the drawings). As seen by comparing FIGS. **1** and **2**, structures **301** composing the securing means **300** may be exchanged, depleted or supplemented with structures **301** of the same or varying dimensions (see also FIGS. **7** through **10**). The support structures **301** may be made of foam, wood, rubber, plastic, metal, and etcetera. As discussed above support structures may preferably feature an adhering means **302** for cooperating with the adhering means **102** on the surface **101**. In an alternate embodiment, the support structures **301** may feature an independent adhering means **302** or none at all. In the preferable embodiment, the adhering means **102** and **302** are a hook and loop fastener system, as has been marketed under Velcro® trademarks or some other adhesive for repeatable attachment/removal or some other adhesive for repeatable attachment/removal. In alternate embodiments of the securing means **300**, the securing means **300** may feature a strap that extends over a media/audio player to retain it within the securing means.

FIGS. **3** and **4** best depict the preferable function of the securing means **300**. As seen in the stated figures, the location

4

of the support structures **301** may be manipulated about the surface **101** to fit the size and shape of the would-be supported media/audio player. Manipulation of the support structure **301** location may be accomplished via detaching the individual support structures **301** from the surface **101** (i.e., disengaging the adhering means **102** and **103**) and subsequently refastening the structure **301** to a different spot on the surface **101**. For example, a structure **301** from the apparatus **1** configuration of FIG. **3** may be removed to create the apparatus **1** configuration of FIG. **4** in order to accommodate a media/audio player of greater length.

FIG. **7** illustrates the top view of the apparatus with the securing means **300** entirely removed for supporting a media/audio player that occupies the substantial portion of the surface **101**. FIG. **8** through **10** illustrate variations and of the securing means **300** configuration on the apparatus **1**.

FIG. **11** illustrates a contextual view of the apparatus **1** provided to a support **3**. As depicted in the figure, a media/audio player **2** has been provided to a securing means **300** adapted to the size and shape of the player **2**. Also seen in the figure is the support **3** to which the apparatus **1** is provided. In this particular embodiment, the support **3** is a stand-alone structure with multiple degrees of freedom for positioning the surface **101** of the platform **100** toward the musician and at a height whereby the media/audio player may be rapidly operated, placed, and removed. The apparatus **1** is provided to the support **3** via a screw and nut system operating through the aperture **203**.

FIG. **12** illustrates a contextual view of the apparatus **1** provided to a drum kit **4**. As depicted in the figure, a media/audio player **2** has been provided to a securing means **300** adapted to the size and shape of the provided player **2**. Also seen in the figure is the support **3** to which the apparatus **1** is provided. In this particular embodiment, the support **3** is coupled to a cymbal stand and the surface **101** of the platform **100** is directed toward a drummer at a height whereby the media/audio player may be rapidly operated, placed, and removed while the drummer is playing the associated drum kit. The apparatus **1** is provided to the support **3** via a screw and nut system operating through the aperture **203**.

It should be noted that the apparatus **1** may take on the general appearance of a cymbal in order to visually blend with the drum kit. Furthermore, the apparatus **1** may be mounted to a drum kit in a manner similar to a cymbal or on a cymbal stand. The stated features assist the drummer in maintaining fluency during drumming because the drummer will not likely be distracted by an apparently foreign object.

FIG. **13A-13H** are respectively a perspective view, a front view, a back view, a top view, a bottom view, a right side view, a left side view, and an environmental view of another apparatus **1000**. As seen in these figures, the apparatus **1000** typically comprises three main features: (1) a support platform **1100**; (2) a base **1200**; and (3) a means for securing a particular media/audio player **1300** to the apparatus **1000**. The disclosed apparatus **1000** operates generally in the manner disclosed above in connection with the apparatus **1** (depicted in FIGS. **1-12**) and its securing means **1300** are suitably positioned on the support surface **1100** to accommodate media/audio players of the tablet computer variety (e.g., iPad (trademark of Apple, Inc.)). The support platform **1100** generally operates like, and has similar components as, the support platform **100** of the apparatus **1** (depicted in FIGS. **1-12**), except that the platform **1100** is made larger to accommodate media/audio players of the tablet variety via extensions **1110**. The base **1200** generally operates like, and has similar components as, the base **200** of the apparatus **1** (depicted in FIGS. **1-12**). The securing means **1300** generally operate like, and

5

have similar components as, the securing means 300 of the apparatus 1 (depicted in FIGS. 1-12). In the depicted embodiment, the securing means 1300 are affixedly positioned thereon the support platform to accommodate the dimensions of a media/audio player of the tablet variety rather than being adhered thereto in said configuration via an adhering means.

In summary, what is disclosed may be a method of accompanying a musical instrument comprising the steps of: obtaining a media/audio player 2; obtaining an apparatus 1 featuring a securing means 300; obtaining a support; attaching the apparatus 1 to said support; manipulating the securing means 300 to the size and dimensions of said media/audio player; placing said media/audio player within the apparatus 1; and moving said apparatus 1 and media player 2 within the operable reach of a musician; and operating the media/audio player 2. What is disclosed may also be an apparatus 1 comprising a base, support platform, and a securing means. What is disclosed may also be a method of setting-up a support apparatus comprising the steps of: obtaining an apparatus 1 featuring a securing means 300; obtaining a support; attaching the apparatus 1 to said support; manipulating the securing means 300 to the size and dimensions of a media/audio player; and moving said apparatus 1 to within the operable reach of a musician.

It should be noted that the figures and the associated descriptions are of illustrative importance only. In other words, the depictions and descriptions of the present invention should not be construed as limiting of the subject matter in this application. The apparatuses, assemblies, components, order and inclusion of steps, and methods discussed hereby are susceptible to modification without changing the overall concept of the disclosed invention. Such modifications might become apparent to one skilled in the art after reading this disclosure.

I claim:

- 1. An apparatus for supporting a media/audio player adjacent to a musical instrument comprising:
 - a base with an aperture at a central location;
 - a platform which extends around the base to form a support surface,
 - wherein the platform is defined by a round shape;
 - at least one arm that is fixedly attached to the platform so that the arm extends outwardly from said platform;
 - wherein at least one edge of said at least one arm is on an outward end of said at least one arm; and,
 - at least one edge for receiving an edge of said media/audio player, whereby the media/audio player is secured to the apparatus.
- 2. The apparatus of claim 1 wherein said media/audio player is a tablet computer.
- 3. The apparatus of claim 1 wherein said at least one arm is one of a plurality of arms.
- 4. The apparatus of claim 1 wherein said at least one arm is one of four arms.

6

5. The apparatus of claim 3 wherein: the edge of said media/audio player is on at least one corner of said apparatus for supporting a media/audio player, and the musical instrument is a drum.

6. The apparatus of claim 4 wherein the edge of said media/audio player is on at least one corner of said apparatus for supporting a media/audio player.

7. The apparatus of claim 6 wherein the media/audio player has four corners.

8. An apparatus for supporting a media/audio player adjacent to a musical instrument comprising:

- a platform that is defined by a round shape;
- at least one arm extending from the platform so that an edge of at least one arm is located at an outward end of the at least one arm; and,
- said at least one edge for receiving an edge of said media/audio player, whereby the media/audio player is secured to the apparatus.

9. The apparatus of claim 8 wherein said media/audio player is a tablet computer.

10. The apparatus of claim 8 wherein said at least one arm is one of a plurality of arms.

11. The apparatus of claim 8 wherein said at least one arm is one of four arms.

12. The apparatus of claim 10 wherein: the edge of said media/audio player is on at least one corner of said apparatus for supporting a media/audio player, and the musical instrument is a drum.

13. The apparatus of claim 11 wherein the platform resembles a drum cymbal.

14. The apparatus of claim 13 wherein the media/audio player has four corners.

15. A method of supporting a media/audio player adjacent to a musical instrument comprising the step of:

- obtaining a media/audio player;
- obtaining a platform with an arm that extends outward from said platform, wherein platform is defined by a round shape;
- placing an edge of the media/audio player in contact with an edge of an arm, and,
- wherein said edge of the media/audio player is in contact with said edge of the arm.

16. The method of claim 15 wherein said media/audio player is a tablet computer.

17. The method of claim 15 wherein said at least one arm is one of a plurality of arms.

18. The method of claim 15 wherein said at least one arm is one of four arms.

19. The method of claim 18 wherein the edge of said media/audio player is on at least one corner of said apparatus for supporting a media/audio player, and the musical instrument is a drum.

20. The method of claim 19 wherein the platform resembles a drum cymbal.

* * * * *