



US008876187B2

(12) **United States Patent**  
**Rodriguez, Jr. et al.**

(10) **Patent No.:** **US 8,876,187 B2**  
(45) **Date of Patent:** **Nov. 4, 2014**

(54) **APPARATUS AND RELATED METHODS OF TARPING A FLATBED TRUCKING PAYLOAD**

(71) Applicants: **John Rodriguez, Jr.**, Baytown, TX (US); **William Vernon Lancon, III**, Anahuac, TX (US)

(72) Inventors: **John Rodriguez, Jr.**, Baytown, TX (US); **William Vernon Lancon, III**, Anahuac, TX (US)

(\* ) Notice: Subject to any disclaimer, the term of this patent is extended or adjusted under 35 U.S.C. 154(b) by 0 days.

(21) Appl. No.: **13/765,638**

(22) Filed: **Feb. 12, 2013**

(65) **Prior Publication Data**

US 2014/0225393 A1 Aug. 14, 2014

(51) **Int. Cl.**  
**B60P 7/04** (2006.01)

(52) **U.S. Cl.**  
CPC ..... **B60P 7/04** (2013.01)  
USPC ..... **296/98; 242/390.2**

(58) **Field of Classification Search**  
USPC ..... 296/98, 101, 181; 212/328; 242/390.2, 242/598.5, 557, 96, 403, 533.8, 598

See application file for complete search history.

(56) **References Cited**

U.S. PATENT DOCUMENTS

2,562,300	A *	7/1951	Dingman	296/98
6,805,395	B2 *	10/2004	Royer	296/98
7,669,911	B1 *	3/2010	Hankey	296/100.1
2012/0001010	A1 *	1/2012	Payne	242/390.2

\* cited by examiner

*Primary Examiner* — Joseph D Pape

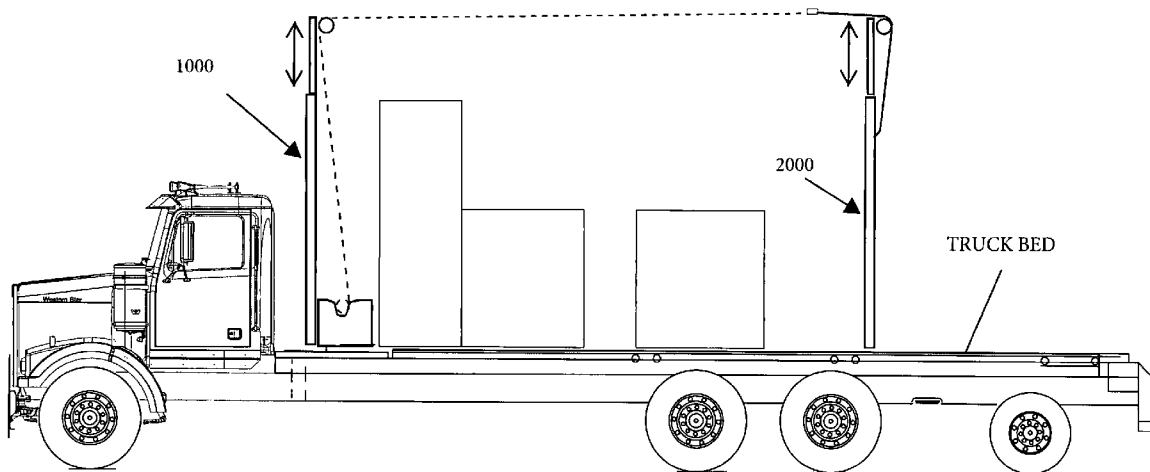
*Assistant Examiner* — Dana Ivey

(74) *Attorney, Agent, or Firm* — John K. Buche; Buche & Associates, P.C.

(57) **ABSTRACT**

Generally disclosed is a device for simply and inexpensively tarping the payload of any truck bed without placing the tarper, the tarp, or the payload in danger of injury. In a preferred embodiment, the disclosed device generally comprises: (1) a rolled or bunched tarp that is installed on a first portable and adjustable riser; (2) a cable and cable crank installed on a second portable and adjustable riser; (3) wherein the cable may be attached to the tarp so that cranking the cable crank will unroll or unbunch the tarp and suspendedly draw the same toward the second riser; and (4) wherein the risers are removable from the truck bed.

**18 Claims, 4 Drawing Sheets**



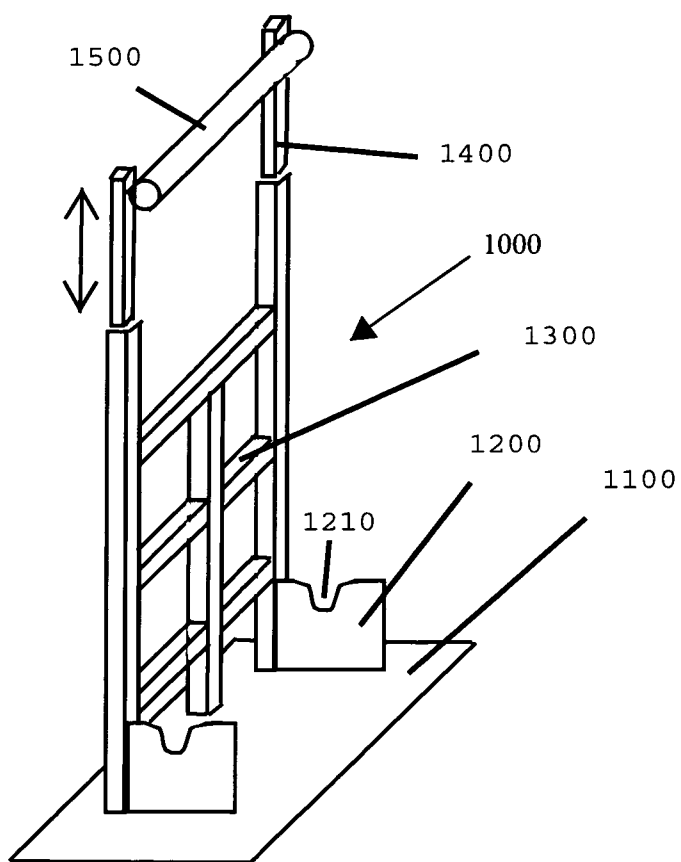


FIG. 1

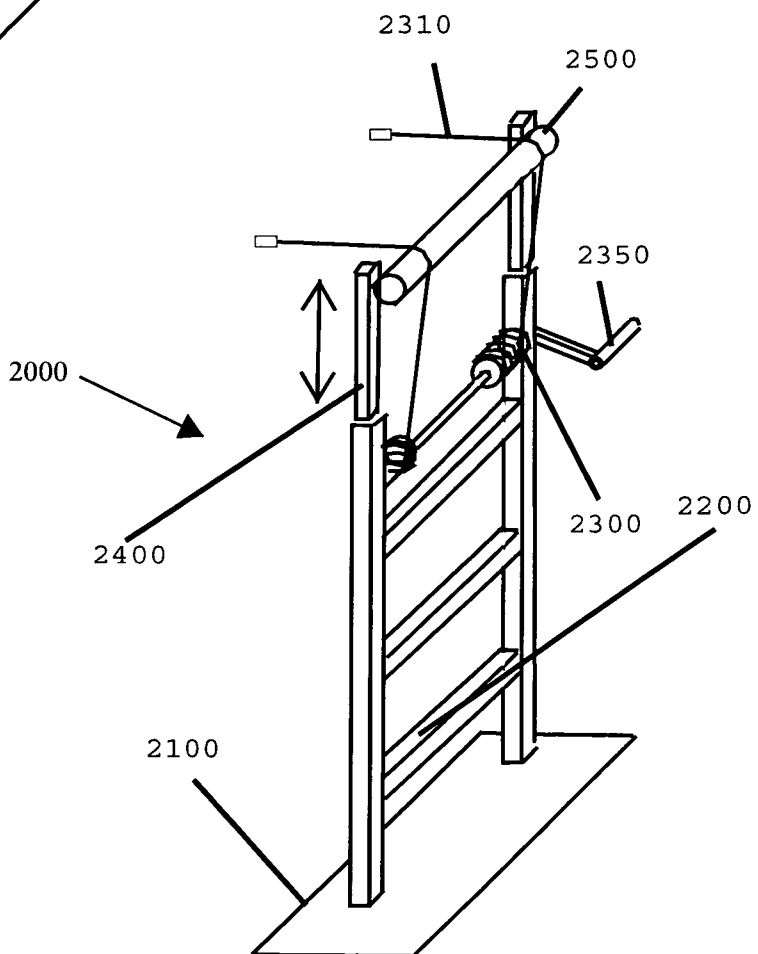


FIG. 2

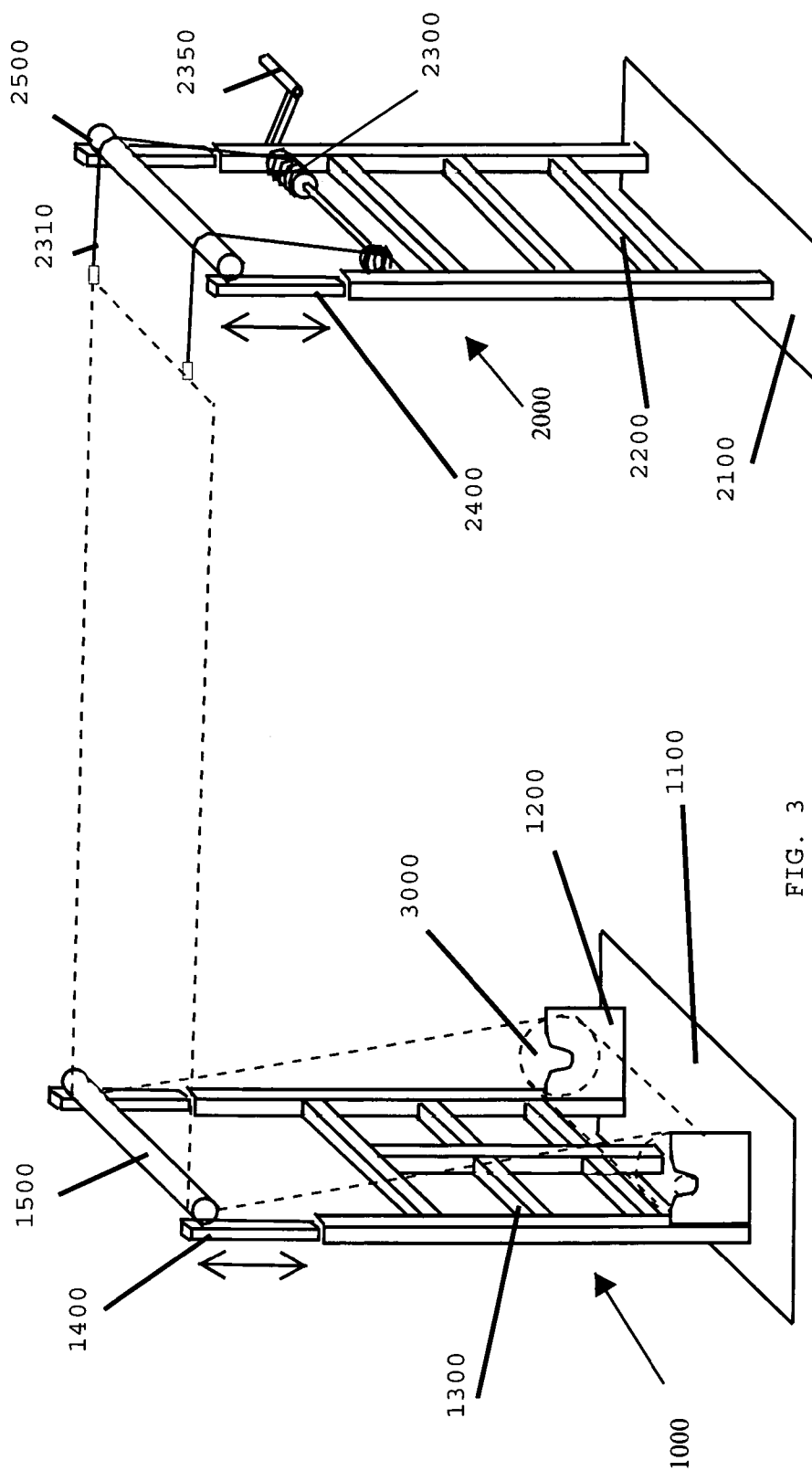


FIG. 3

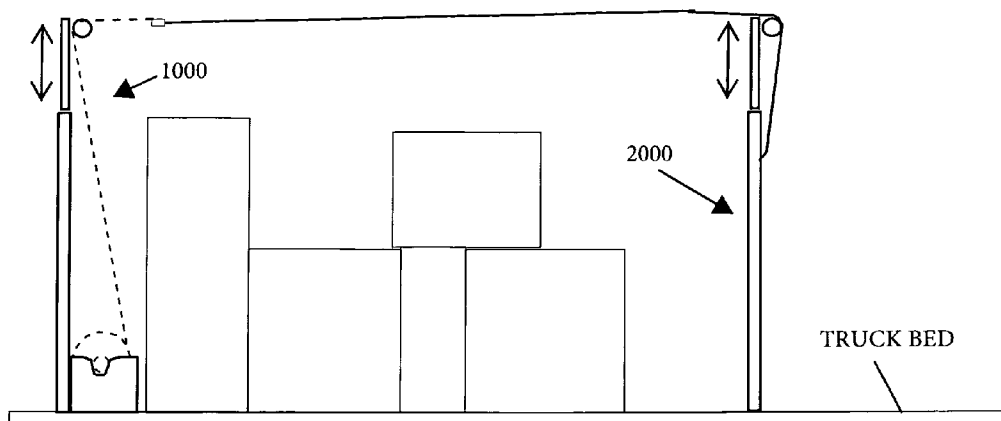


FIG. 4A

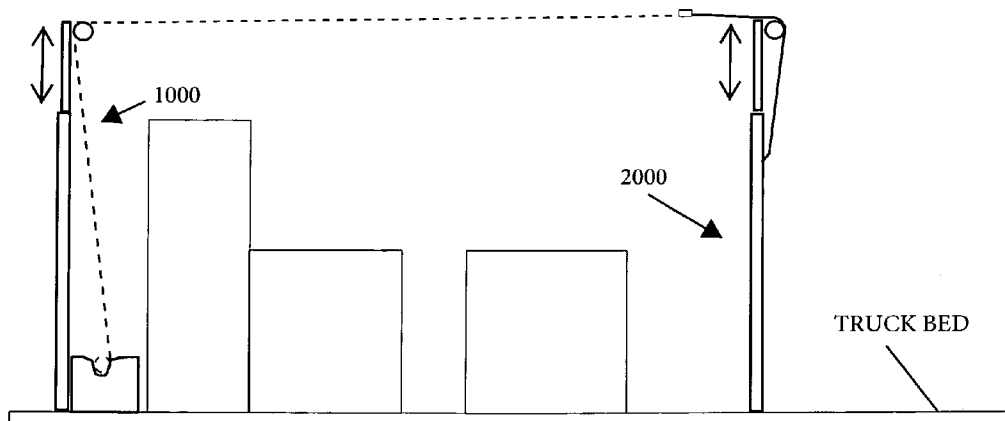


FIG. 4B

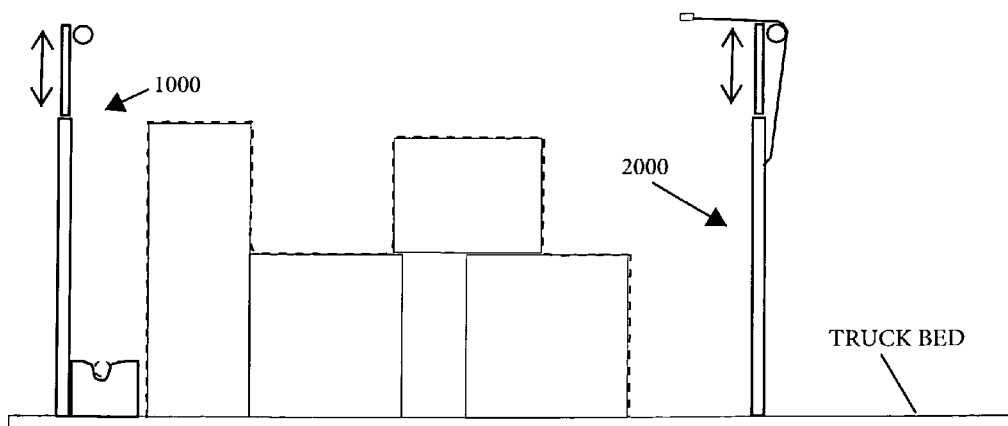
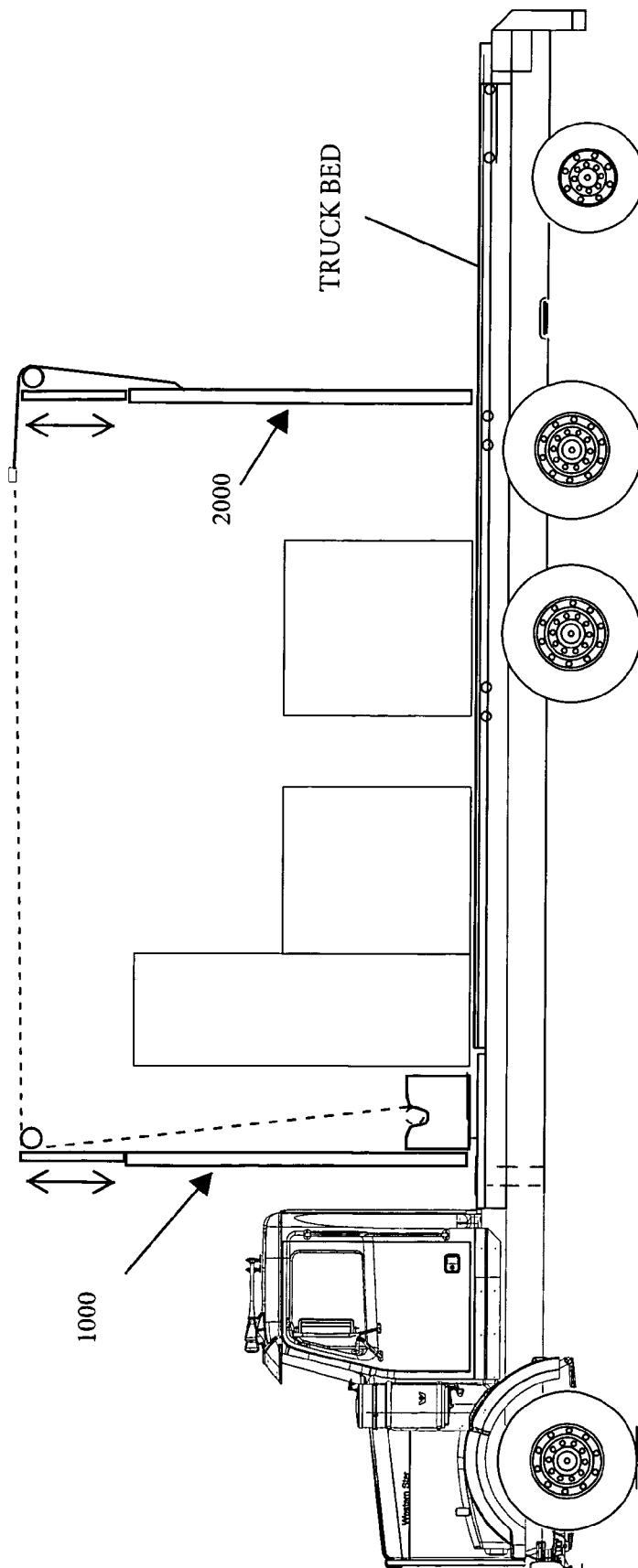


FIG. 4C



1

**APPARATUS AND RELATED METHODS OF  
TARPING A FLATBED TRUCKING PAYLOAD****CROSS-REFERENCE TO RELATED  
APPLICATIONS**

Not applicable.

**STATEMENT REGARDING FEDERALLY  
SPONSORED RESEARCH OR DEVELOPMENT**

Not applicable.

**BACKGROUND OF THE INVENTION****1. Field of the Invention**

This specification describes subject matter in the field of apparatus and related methods for tarping payloads.

**2. Background of the Invention**

Frequently payloads are loaded on trailers for transport to a destination. Just as frequently, said payloads must be protected from the elements during travel. One simple and inexpensive method of protecting such payloads from the elements is by covering the same with a tarp (also known as tarping the payload). The most basic form of tarping requires tarper (usually the driver of the truck carrying the payload) to climb over the payload while simultaneously dragging and tucking the tarp around the shipment.

Although basic tarping of the payload is a simple and inexpensive, basic tarping poses threats to the tarper, the tarp, and the payload. First, the tarper, while climbing around on the payload, is at risk of injury via falling of the trailer. Risks of a tarper falling off the trailer are increased in windy conditions as the tarp can be blown into the tarper so that the tarper is either knocked off balance or disoriented. Second, dragging a tarp over a payload frequently results in hang-ups of the tarp so that continued pulling of the tarp can rip or otherwise damage the tarp. Finally, tarps are heavy so that the same are frequently improperly positioned over the payload by the tarper whereby the payload is at risk of damage. In view of the foregoing, a need exists for apparatus and related methods of tarping a payload that are simple and inexpensive without placing a tarper, the tarp, or the payload at risk of injury.

Various apparatus exist for tarping payloads via pulling a rolled or otherwise bundled tarp positioned at one end of the payload over the payload from an opposite end thereof while the rolled or bundled tarp unwinds. See, e.g., U.S. Pat. Nos. 667,475; 2,811,321; 5,125,713; 5,713,712; 5,743,700; 5,882,062; and 6,109,680. While these apparatus plus related methods are sometimes suitable for tarping payloads, these apparatus are not entirely suitable for payloads with drastically varying topographies, as would frequently be found on flat-bed trailer payloads, because the tarp can still hang-up while being drug across the uneven surfaces of the payloads. As a result, these types of apparatus and related methods require a trailer with sidewalls and are not ideal for flat bed loads. To avoid said hang-up on uneven payloads, hang and drape type tarping apparatus are known. See, e.g., U.S. Pat. Nos. 6,273,401; 6,811,202; 7,798,344; and 7,819,262. Accordingly, a need still exists for tarping trailer loads in a simple and inexpensive way without the drawbacks of known apparatus plus methods.

**SUMMARY OF THE INVENTION**

With the aforementioned need in mind, it is an object of this description to disclose a device for simply and inexpensively tarping the payload of any truck bed without placing the

2

tarper, the tarp, or the payload in danger of injury. Structurally, the disclosed device, in one embodiment, comprises: (1) a rolled tarp that is installed on a portable and adjustable riser at one end of a truck bed; (2) a cable, cable roll, and cable crank positioned on a portable and adjustable riser opposite end the truck bed; (3) wherein the cable crank may be attached to the rolled tarp so that cranking the cable crank will unroll the tarp and suspendedly draw the same toward the cable roll; and (4) wherein the risers are removable from the truck bed. Operably, the device may be used to tarp the payload of a truck bed as follows: first, positioning the risers at the front and rear of the truck bed; (2) raising the tarp roll and cable roll to a position above the top of the payload; (3) coupling the cable to the rolled tarp; (4) operating the cable crank to draw the tarp over the payload; (5) undrapping the tarp from the riser so that it falls atop the payload; (6) disconnecting the cable from the tarp; and (7) securing the tarp to around the payload.

**BRIEF DESCRIPTION OF THE FIGURES**

The manner in which these objectives and other desirable characteristics can be obtained is explained in the following description and attached figures in which:

FIG. 1 is a perspective view of a first riser **1000**;

FIG. 2 is a perspective view of a second riser **2000**;

FIG. 3 is a perspective view the first and second risers **1000**, **2000** operating to suspend a tarp therebetween;

FIG. 4A is a side view of a payload positioned between the first and second risers **1000**, **2000**;

FIG. 4B is a side view of a pay load positioned between the first and second risers with a tarp suspended therebetween;

FIG. 4C is a side view of a tarped payload; and

FIG. 5 is a contextual view of the apparatus **1000** installed on the truck bed.

It is to be noted, however, that the appended figures illustrate only typical embodiments of the disclosed apparatus and methods, and therefore, are not to be considered limiting of their scope, for the disclosed apparatus and methodologies may admit to other equally effective embodiments that will be appreciated by those reasonably skilled in the relevant arts. Also, figures are not necessarily made to scale.

**DETAILED DESCRIPTION OF THE PREFERRED  
EMBODIMENTS**

Generally disclosed is a device for simply and inexpensively tarping the payload of any truck bed without placing the tarper, the tarp, or the payload in danger of injury. In a preferred embodiment, the disclosed device generally comprises: (1) a rolled or bunched tarp that is installed on a first portable and adjustable riser; (2) a cable and cable crank installed on a second portable and adjustable riser; (3) wherein the cable may be attached to the tarp so that cranking the cable crank will unroll or unbunch the tarp and suspendedly draw the same toward the second riser; and (4) wherein the risers are removable from the truck bed. Operably, the device may be used to tarp the payload of a truck bed by suspending the tarp over the payload and allowing the tarp to be lowered into position over the payload. The more specific aspects of the preferred embodiment are further disclosed with reference to the figures.

FIG. 1 is a perspective view of a preferred embodiment of a first riser **1000**. As shown, the first riser **1000** may suitably comprise: a base **1100**; a spindle **1200**; a ladder **1300**; an extenders **1400**; and a roller **1500**. Still referring to FIG. 1, the base **1100** is preferably a foundation for uprightly supporting

## 3

the riser **1000** on the back of a truck bed. As shown, the base is rectangular, but any shape is suitable. In one embodiment, the base **1100** is coupled to the stake pegs of a truck bed, but the base **1000** may also be strapped to the truck bed for added structural integrity. The spindle **1200** is preferably defined by two opposing docks **1210** for receiving an axis of a rolled tarp. In operation, a tarp axis may rotate within the docks so that the rolled tarp may be unraveled. The ladder **1300** is a series of steps **1310** that may be used by a tarper for climbing. The extenders **1400** are two poles that extend coaxially from the vertical uprights of the ladder **1300**. Suitably, the height of the extenders **1400** relative to the ladder **1300** may be adjusted by a pin-locking system. Finally, a roller **1500** is positioned in between the extenders for facilitating the pulling of a tarp thereacross.

FIG. 2 is a perspective view of a second riser **2000**. As shown, the second riser **2000** may suitably comprise: a base **2100**; a ladder **2200**; rolled cords **2300** operated via a cord crank **2350**; extenders **2400**; and a roller **2500**. Still referring to FIG. 2, the base **2100** is preferably a foundation for uprightly supporting the riser **2000** on the back of a truck bed. As shown, the base is rectangular, but any shape is suitable. In one embodiment, the base **2100** may be coupled to the stake pegs of a truck bed, but the base **2000** may also be strapped to the truck bed for added structural integrity. The ladder **1300** is a series of steps **1310** that may be used by a tarper for climbing. The cord rolls **2300** are suitably positioned in between the uprights of the ladder and operated by a cord crank **2350**. In operation, the cord crank **2350** may be manipulated for extending or reeling in a cord installed on the cord rolls **2300**. As with the first riser **1000**, the extenders **2400** of the second riser **2000** are two poles that extend coaxially from the vertical uprights of the ladder **1300**. Suitably, the height of the extenders **1400** relative to the ladder **1300** may be adjusted by a pin-locking system. Finally, a roller **1500** is positioned in between the extenders for facilitating the pulling of a cord from the cord rolls **2300** thereacross.

FIG. 3 is a contextual view of the first and second risers **1000**, **2000** being cooperatively employed for suspending a tarp **3000** therebetween. Referring to FIG. 3, the axis **3100** of a rolled tarp **3000** has been provided to the docks **1210** of the spindle **1200** of the first riser **1000**. From the spindle **1200**, the tarp has been threaded over the roller **1500** for coupling with the cords **2310** of the cord rolls **2300** of the second riser. It should be appreciated that a tarper may use the ladder **1300** to assist in accomplishing said threading of the tarp **3000** over the roller **1500** and said coupling of the cords **2310** and tarp. Finally, the cord crank has been operated to draw the tarp **3000** taut so that the same is suspended between the two risers **1000**, **2000**.

FIGS. 4A through 4C are side views of the first and second risers **1000**, **2000** installed on a truck bed. Suitably, FIGS. 4A through 4C illustrate a preferred mode of operation for the risers **1000**, **2000**. Referring first to FIG. 4A, the crank **2350** may be operated for slacking the cords **2310** of the cord rolls **2300**. Once slacked the cords **2310** may be delivered to the first riser for coupling with the tarp. In one embodiment, the cords are manually delivered to the tarp. In another embodiment, the cords are projected to the first riser via ballistic, including harpoons or other projectiles. As shown, the risers **1000**, **2000** are provided to the stake ports of a truck bed while a rolled tarp **3000** is installed in the spindle **1200** of the first riser **1000**. Next, the extenders **1400**, **2400** are adjusted to a height that is greater than the height of the payload. After height adjustment, the tarp **3000** may be threaded over the roller **1500**. The ends of the cords **2310** of the second riser may be drawn across the truck bed for coupling to the

## 4

threaded end of the tarp **3000**. Once coupled, as shown in FIG. 4A, the crank **2350** may be operated to unroll tarp roll while concurrently drawing the tarp **3000** toward the second riser **2000** so that the same is suspended between the first and second risers **1000**, **2000** (shown in FIG. 4B). Finally, as shown in FIG. 4C, the tarp **3000** may be draped over the payload so that the tarp may be protectively installed thereon. In a preferred mode of operation, the raisers **1000**, **2000** may be uninstalled from the truckbed.

The disclosed apparatus may be constructed of any suitable materials and methodologies known for tarping risers. It should be noted that FIGS. 1 through 4C and the associated description are of illustrative importance only. In other words, the depiction and descriptions of the present disclosure should not be construed as limiting of the subject matter in this application. Additional modifications may become apparent to one skilled in the art after reading this disclosure.

We claim:

1. An apparatus for tarping a payload comprising: a first riser configured to be removably secured to a truck bed with a spindle for a rolled tarp; a second riser configured to be removably secured to a truck bed with a cable and a cable crank; wherein the cable is configured to be slacked or reeled by the cable crank; wherein the cable is secured to a tarp roll installed in the spindle; wherein the tarp roll is suspended between the first and second risers; wherein the first and second risers each have a base; and, wherein the first and second riser each comprise a ladder with uprights.
2. The apparatus of claim 1 wherein the first riser features a spindle for the rolled tarp.
3. The apparatus of claim 2 wherein the first and second risers feature extenders.
4. The apparatus of claim 3 wherein the extenders of the first and second risers are defined by poles that are coaxial to the uprights of the ladder.
5. The apparatus of claim 4 wherein the extenders of the first and second risers are electively height adjustable via said extenders of said first and second risers being configured to telescope within corresponding uprights in the first and second risers.
6. The apparatus of claim 5 wherein the extenders have rollers.
7. The apparatus of claim 6 wherein an unrolled portion of the tarp is threaded through the roller of the first riser.
8. A method of tarping a payload comprising the steps of: positioning two risers so that one is at the front and one is at the rear of a truck bed containing the payload; raising a tarp from one riser and cable from the other riser to a position above the top of the payload; coupling the cable to the tarp; operating a cable crank to draw the tarp between the risers over the payload; undraping the tarp from the risers so that the tarp falls atop the payload; disconnecting the cable from the tarp; and securing the tarp around the payload.
9. The method of claim 8 wherein the first and second risers each have a base.
10. The method of claim 9 wherein the first and second riser each comprise a ladder with uprights.
11. The method of claim 10 wherein the first riser has a spindle for the rolled tarp.

5

12. The method of claim 11 wherein the first and second risers have extenders.

13. The method of claim 12 wherein the extenders of the first and second risers are defined by poles that are coaxial to the uprights of the ladder.

14. The method of claim 13 wherein the extenders of the first and second risers are electively height adjustable via said poles telescoping within said uprights.

15. The method of claim 14 wherein the extenders feature rollers.

16. The method of claim 15 wherein an unrolled portion of the tarp is threaded through the roller of the first riser.

17. The method of claim 16 wherein the tarp is pulled over the pay load between the first and second risers via the crank and cable.

18. An apparatus for tarping a payload comprising:  
a first riser defined by

- (a) a base,
- (b) a spindle with a roiled tarp installed on an axis of said spindle and configured to be rolled or unrolled thereon,

6

(c) a ladder with uprights,

(d) extenders defined by poles that coaxially merge with the ladder and are height-adjustable via telescoping within said uprights,

5 (e) a roller that has been threaded with an unrolled portion of the tarp from the spindle;

a second riser defined by

(a) a base,

10 (b) a ladder with uprights,

(c) extenders defined by poles that coaxially merge with the ladder and are height-adjustable via telescoping within said uprights,

(d) a coiled cord operably coupled to a crank, wherein the crank is configured to slack or reel the cord,

15 (e) a roller that has been contacted by the cord so that one end of the cord can be extended for contact with the tarp.

\* \* \* \* \*