



US008936031B2

(12) **United States Patent**
Sahoo

(10) **Patent No.:** **US 8,936,031 B2**
(45) **Date of Patent:** **Jan. 20, 2015**

(54) **ADJUSTABLE FLOSSING MOUTHPIECE**

(76) Inventor: **Joshua Sahoo**, Sugar Land, TX (US)

(*) Notice: Subject to any disclaimer, the term of this patent is extended or adjusted under 35 U.S.C. 154(b) by 0 days.

(21) Appl. No.: **13/329,084**

(22) Filed: **Dec. 16, 2011**

(65) **Prior Publication Data**
US 2012/0318289 A1 Dec. 20, 2012

Related U.S. Application Data

(60) Provisional application No. 61/424,626, filed on Dec. 18, 2010.

(51) **Int. Cl.**
A61C 15/00 (2006.01)
A61C 15/04 (2006.01)

(52) **U.S. Cl.**
CPC **A61C 15/046** (2013.01); **A61C 15/048** (2013.01)
USPC **132/323**

(58) **Field of Classification Search**

USPC 132/321, 323, 326, 327, 329
See application file for complete search history.

(56) **References Cited**

U.S. PATENT DOCUMENTS

5,190,062	A *	3/1993	Rafaeli	132/323
5,429,145	A *	7/1995	Bral	132/323
7,220,123	B1 *	5/2007	Karapetyan	433/37
2005/0133057	A1 *	6/2005	Kirstein	132/323
2006/0014121	A1 *	1/2006	DelGrosso	433/216
2011/0073131	A1 *	3/2011	Hsu	132/323

* cited by examiner

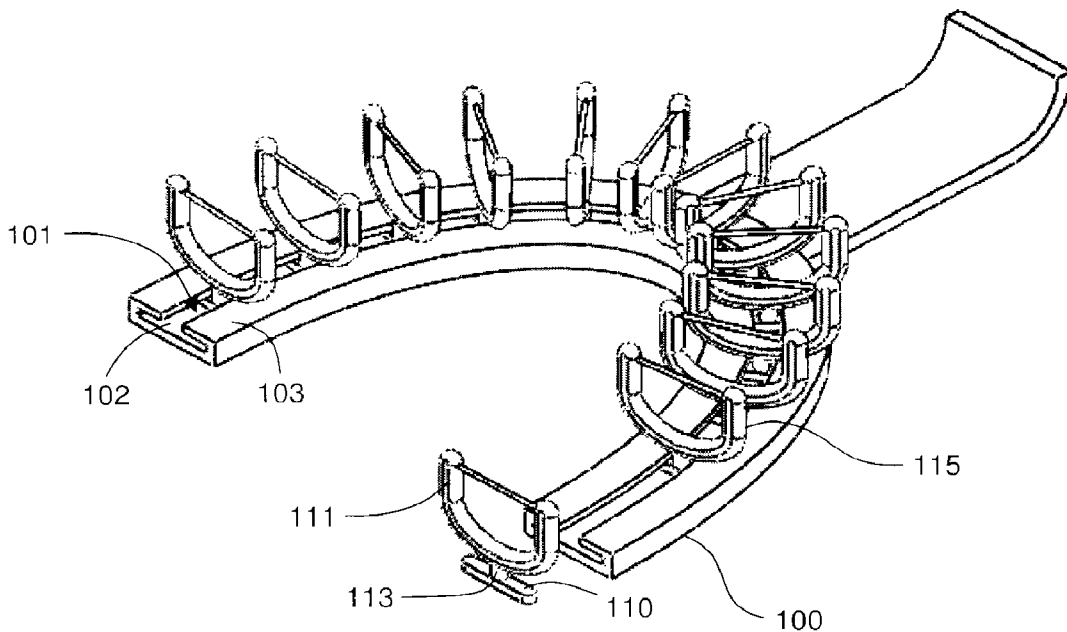
Primary Examiner — Rachel Steitz

(74) *Attorney, Agent, or Firm* — Buche & Associates, P.C.; John K. Buche; Scott Compton

(57) **ABSTRACT**

A method and device for flossing teeth utilizing positionally adjustable floss picks holding strands of dental floss. The floss picks fit into a retainer component and are positioned to insert the floss strands into the interproximal spaces between the user's teeth. The position of individual floss picks can be adjusted to achieve the correct fit.

21 Claims, 38 Drawing Sheets



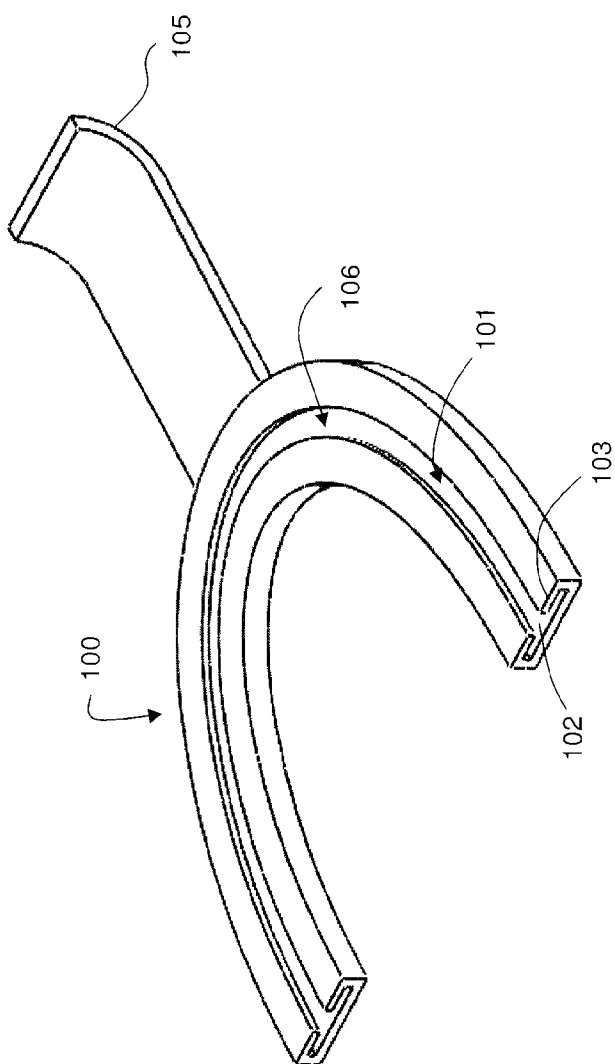


Figure 1a

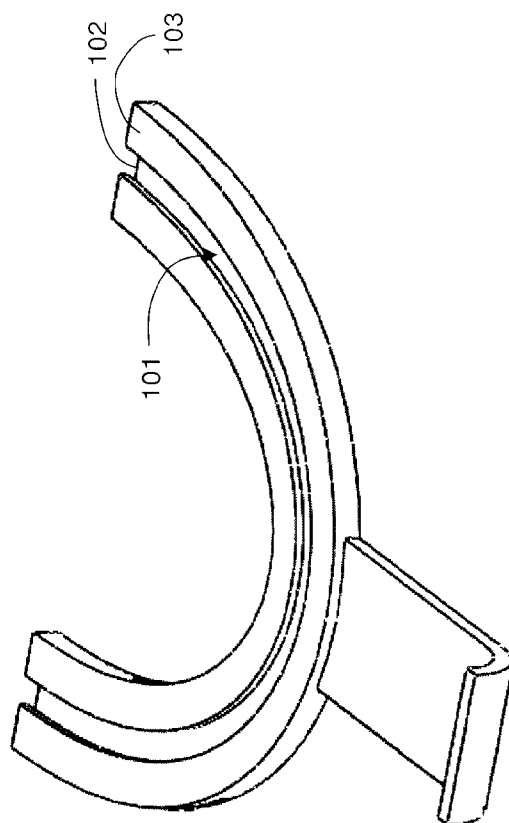


Figure 1b

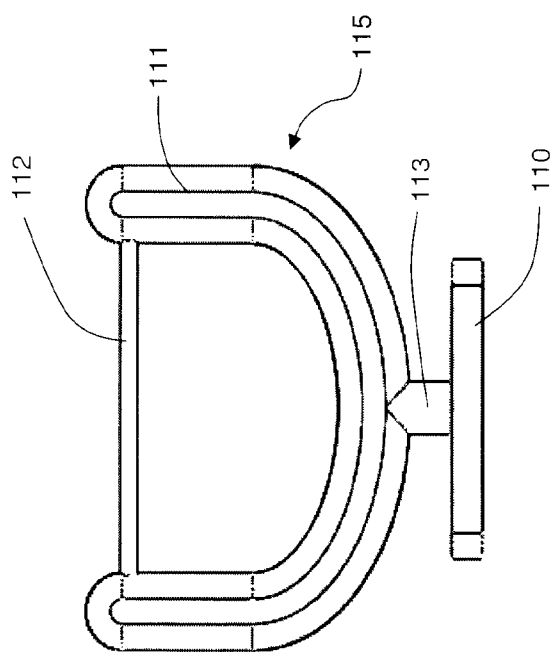


Figure 2a

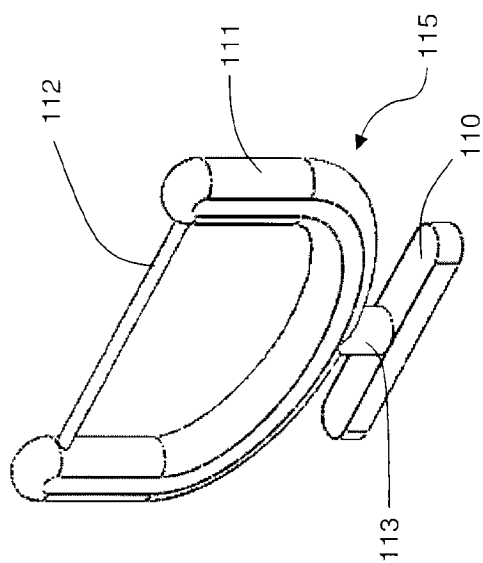


Figure 2b

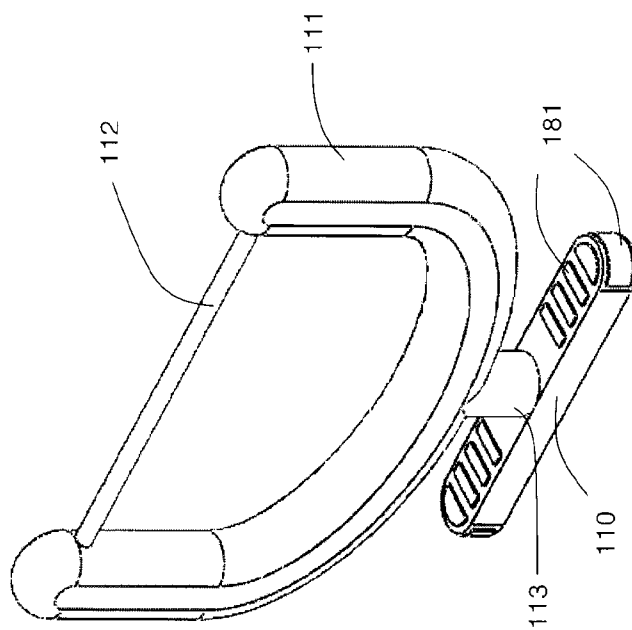


Figure 2c

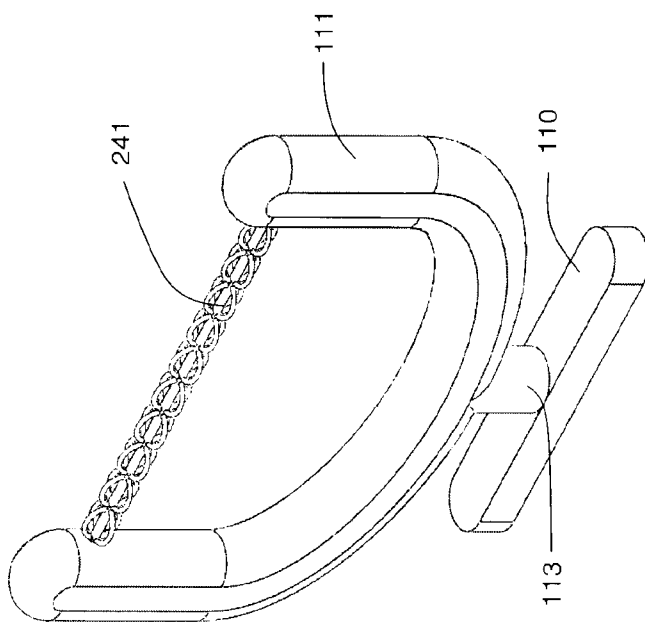


Figure 3a

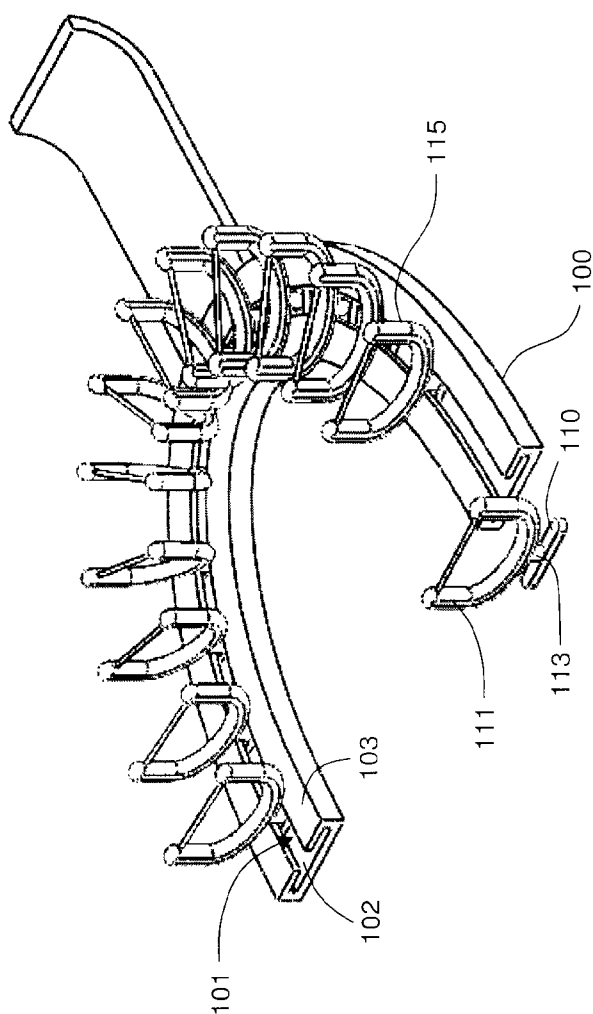


Figure 3b

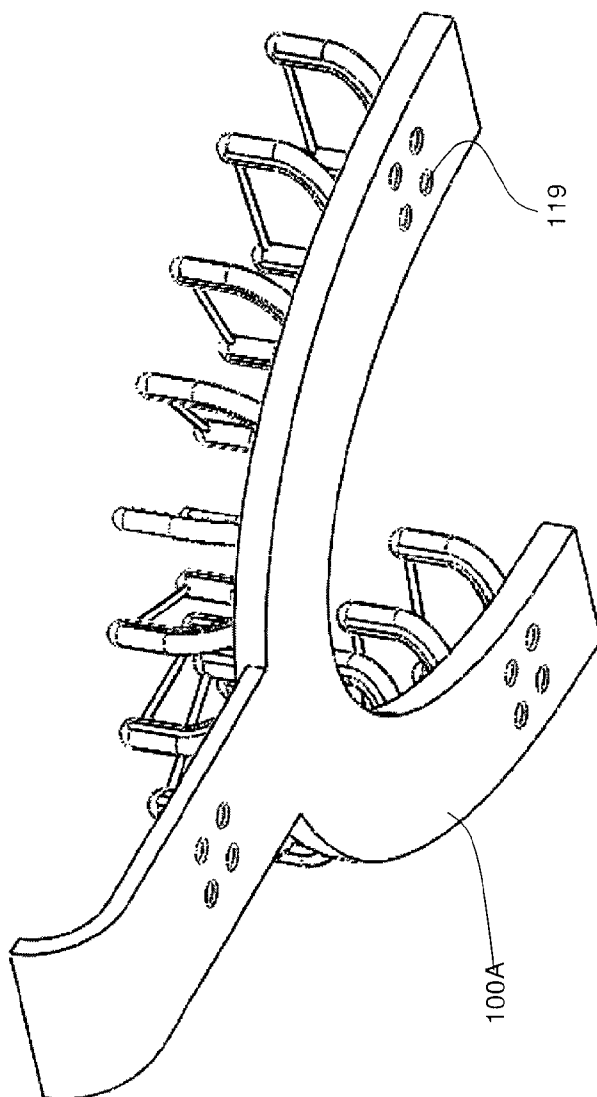


Figure 4a

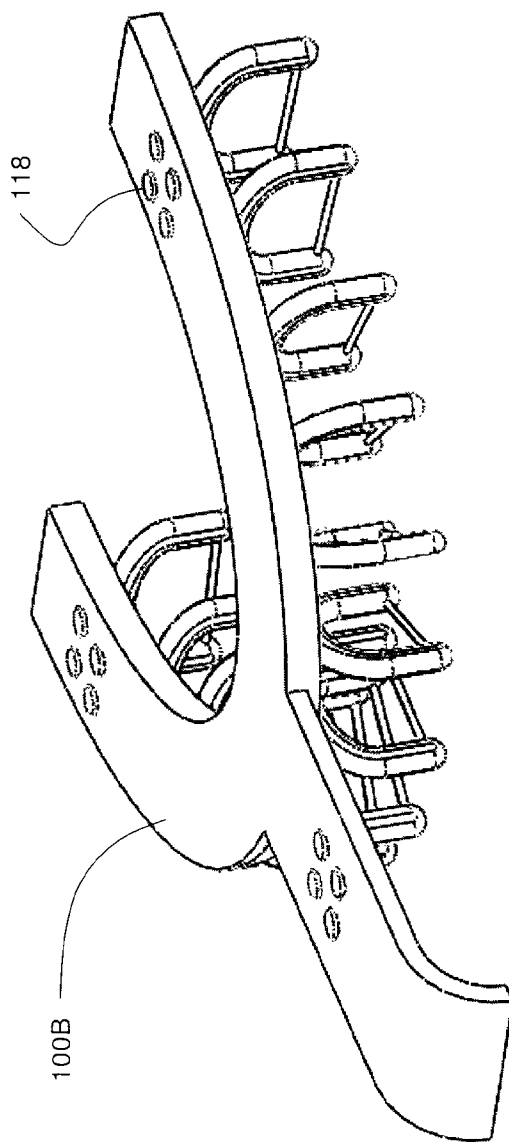


Figure 4b

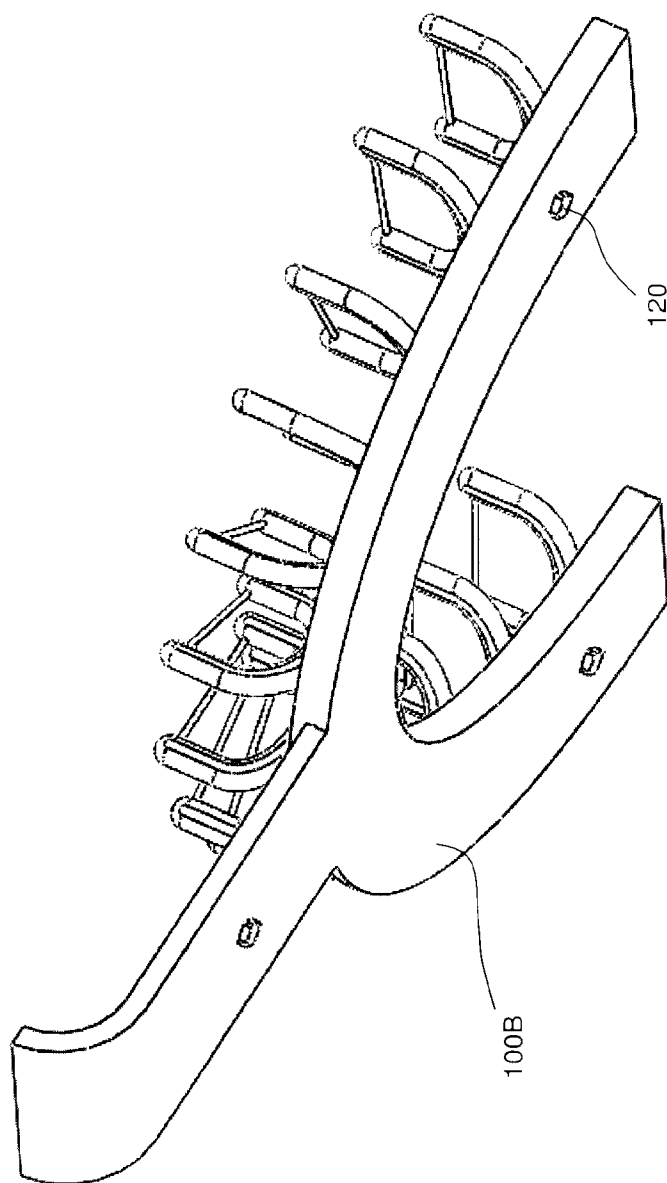


Figure 5a

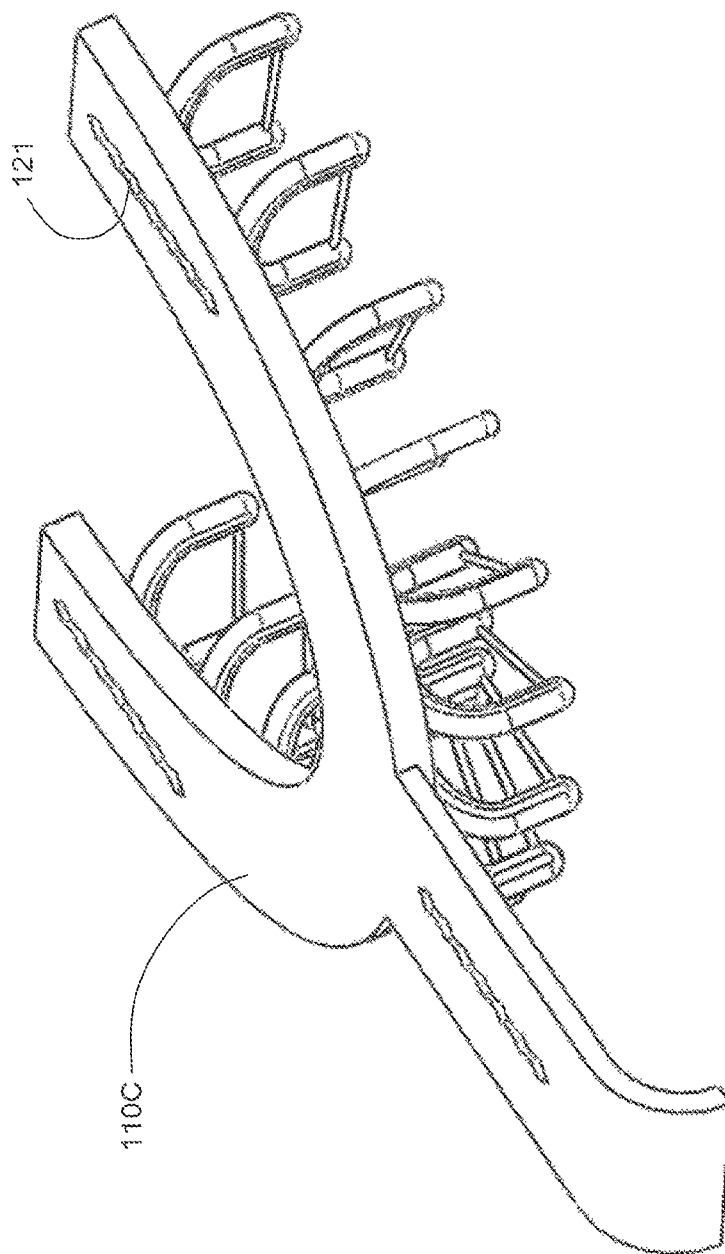


Figure 5b
Replacement Sheet

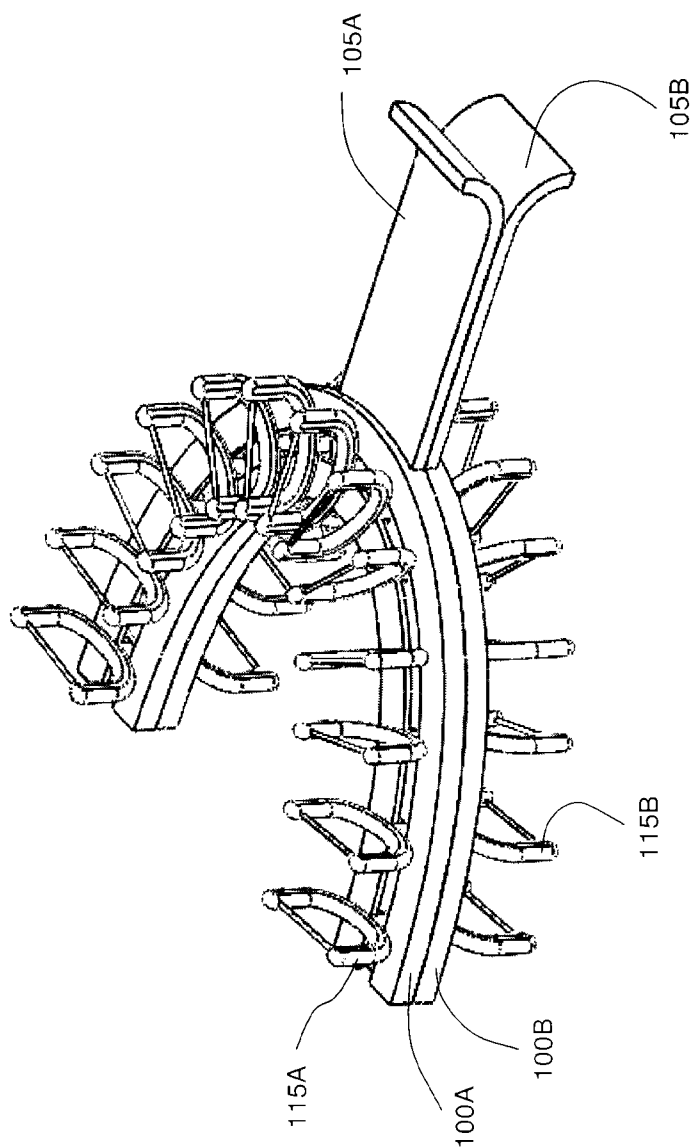


Figure 6

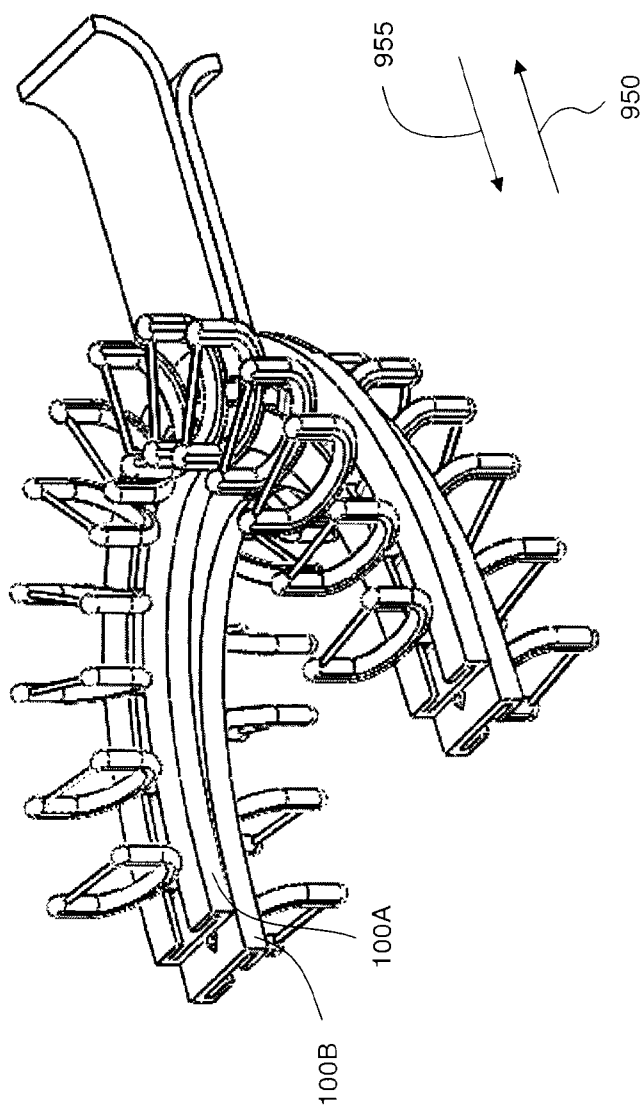


Figure 7

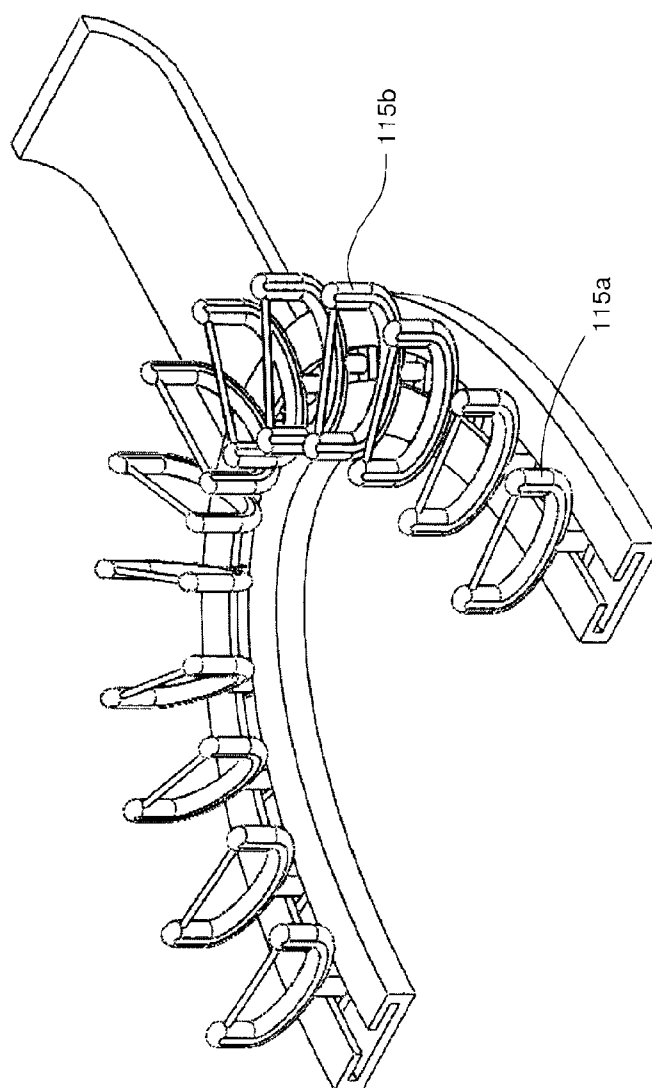


Figure 8

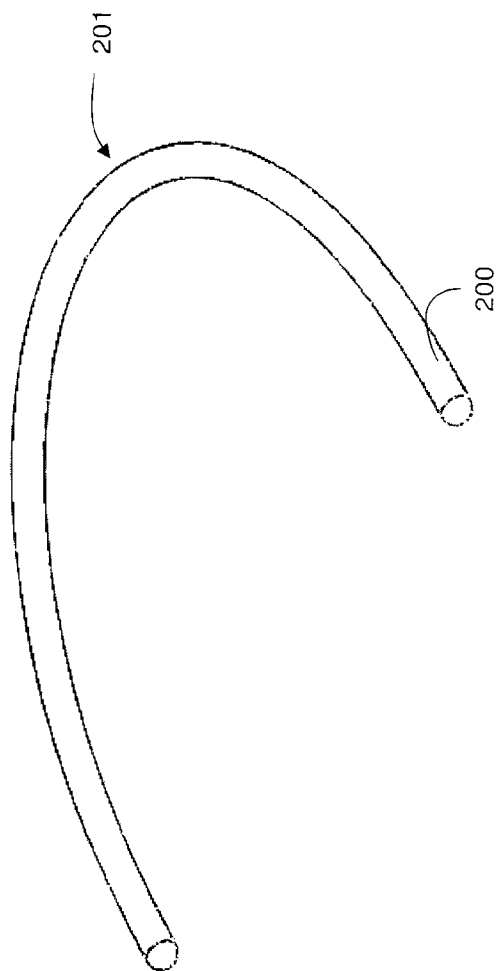


Figure 9

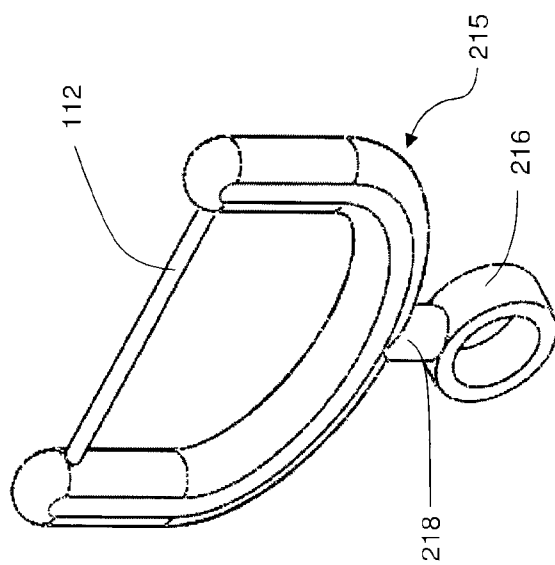


Figure 10a

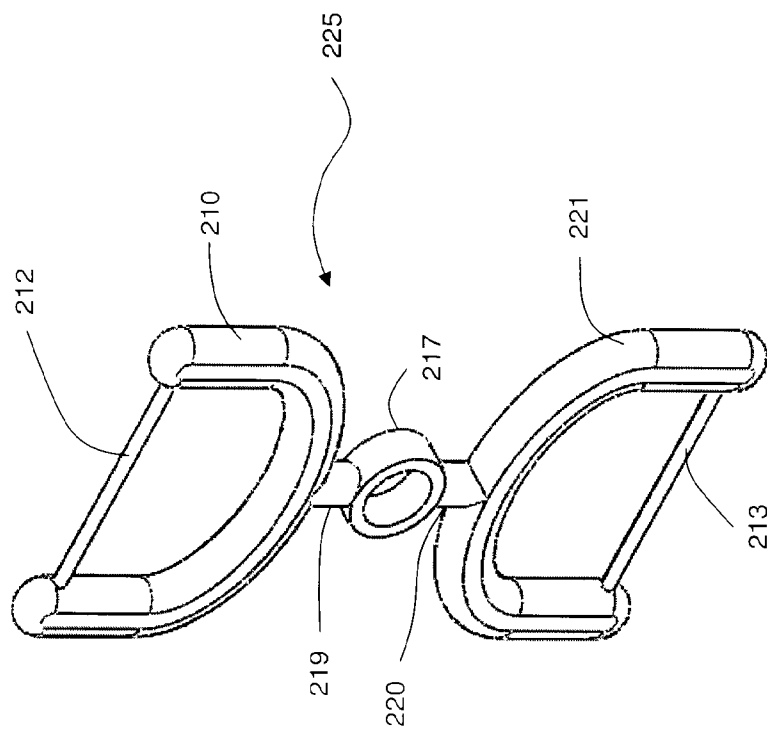


Figure 10b

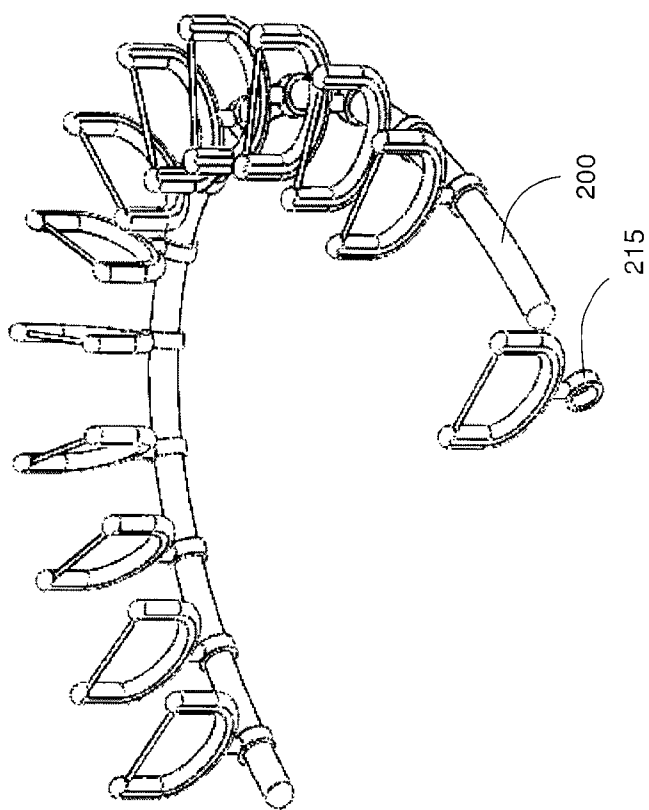


Figure 11a

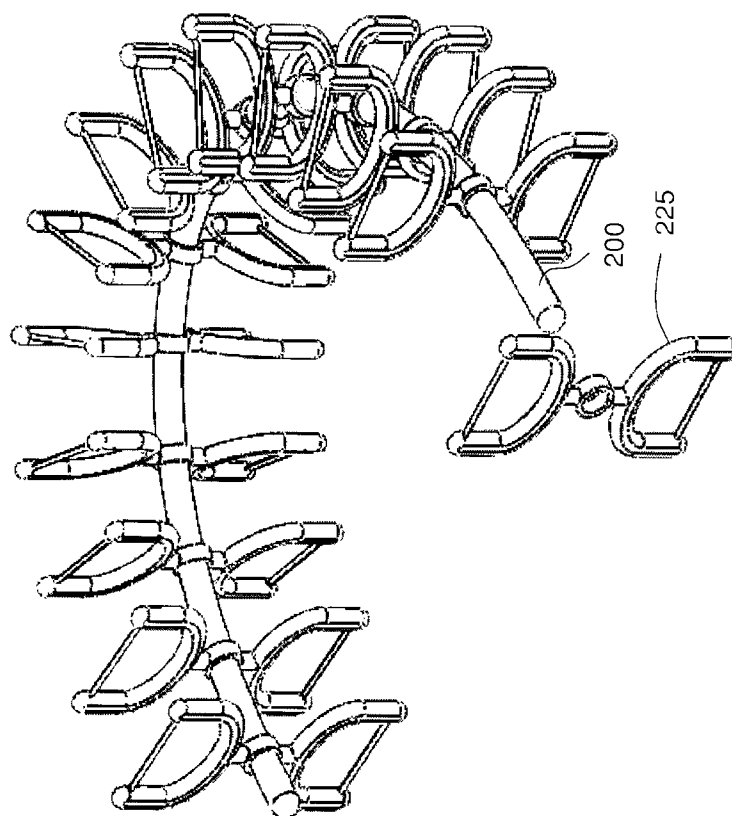


Figure 11b

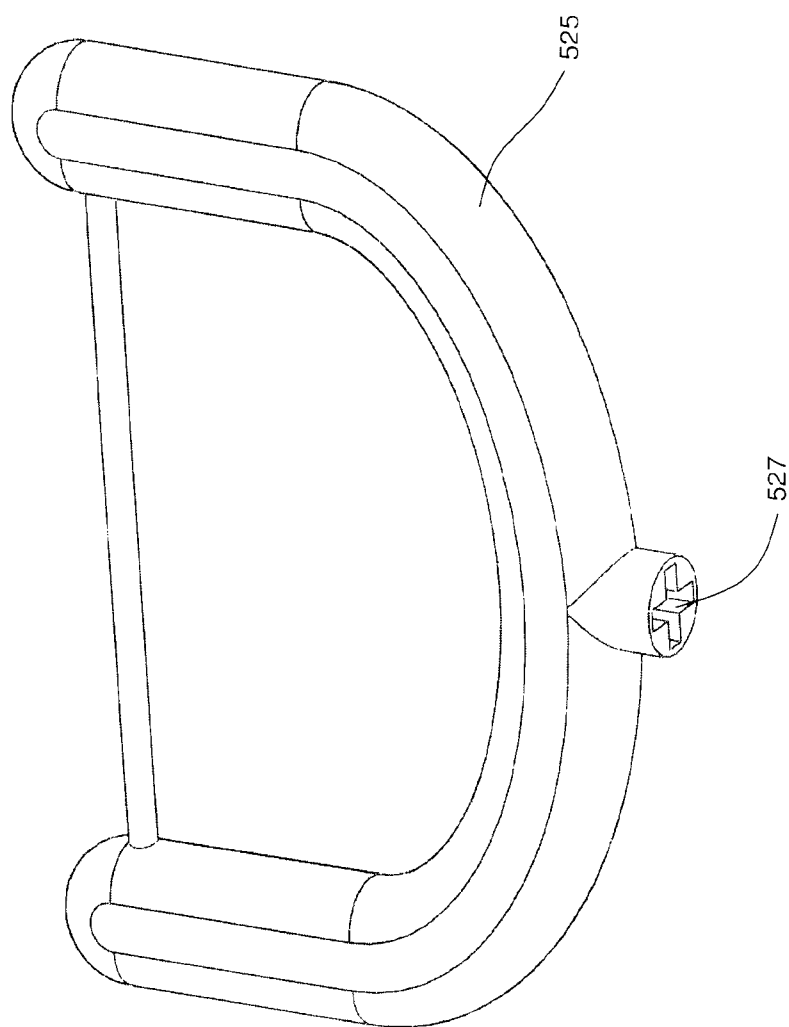


Figure 12a

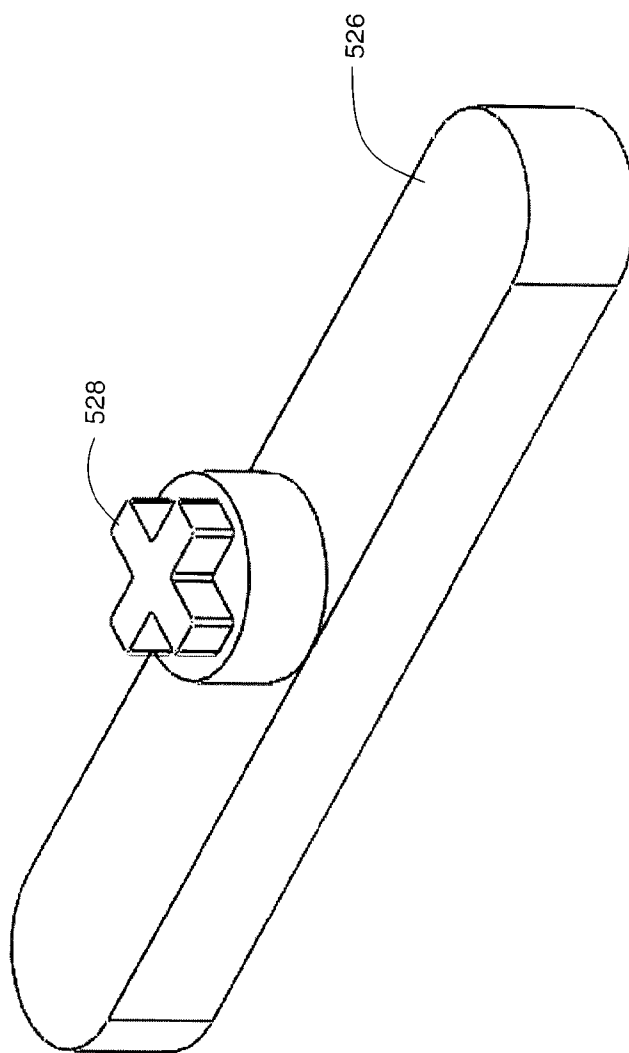


Figure 12b

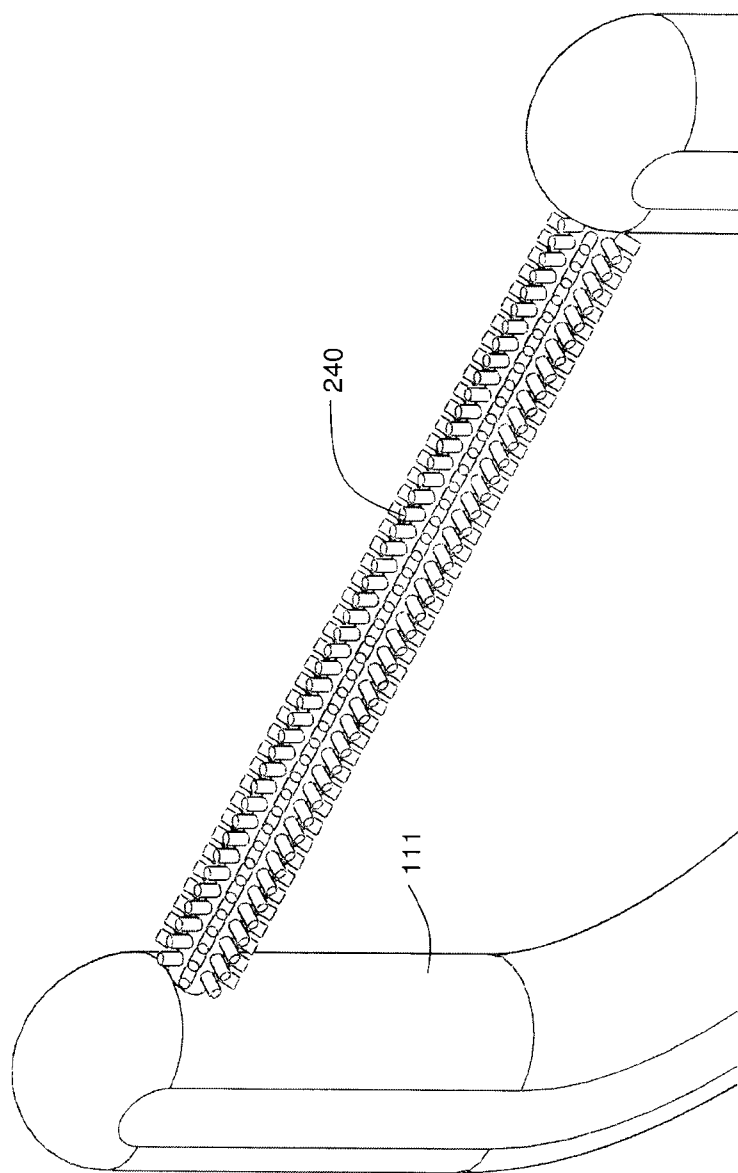


Figure 13

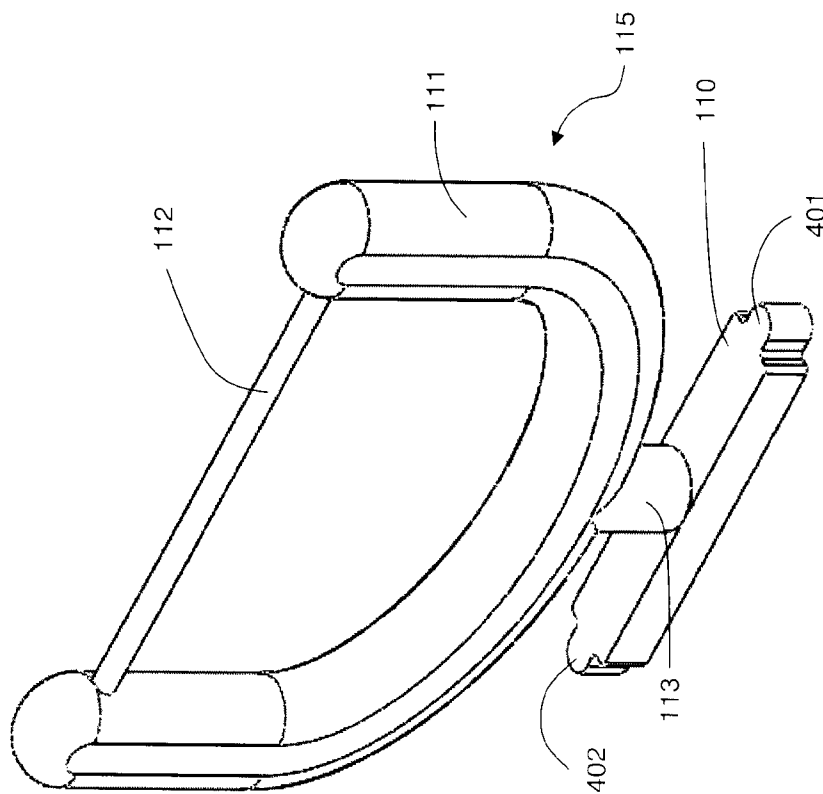


Figure 14

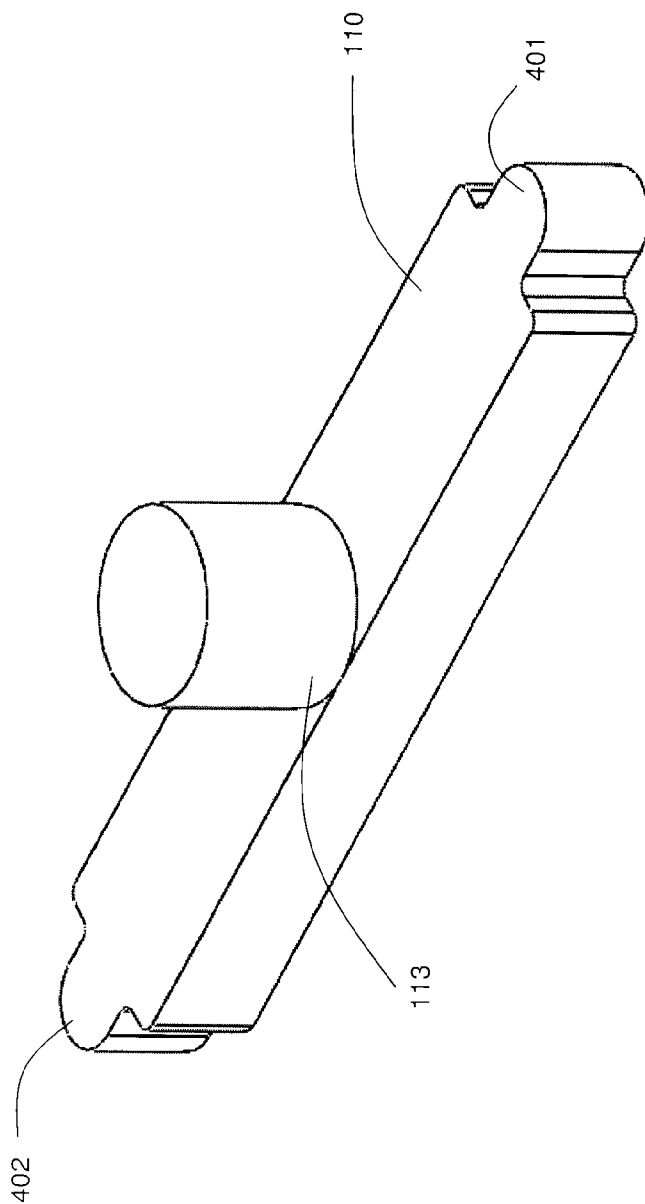


Figure 15

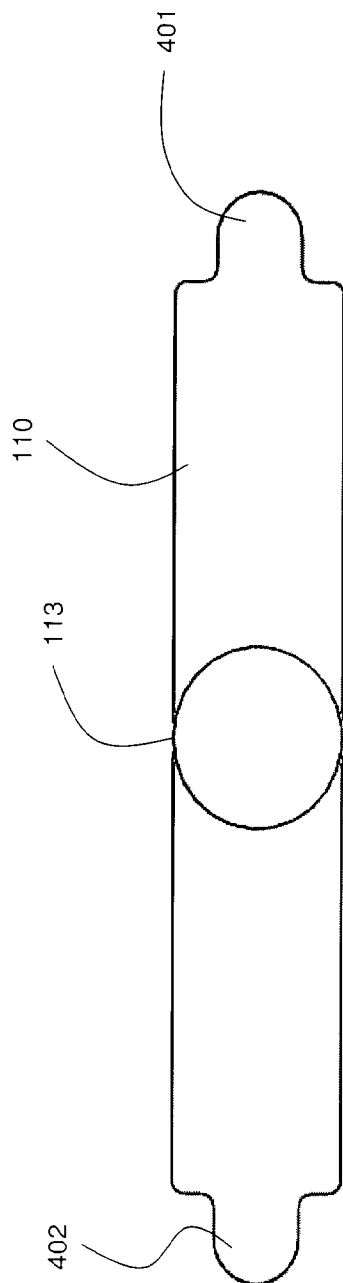


Figure 16

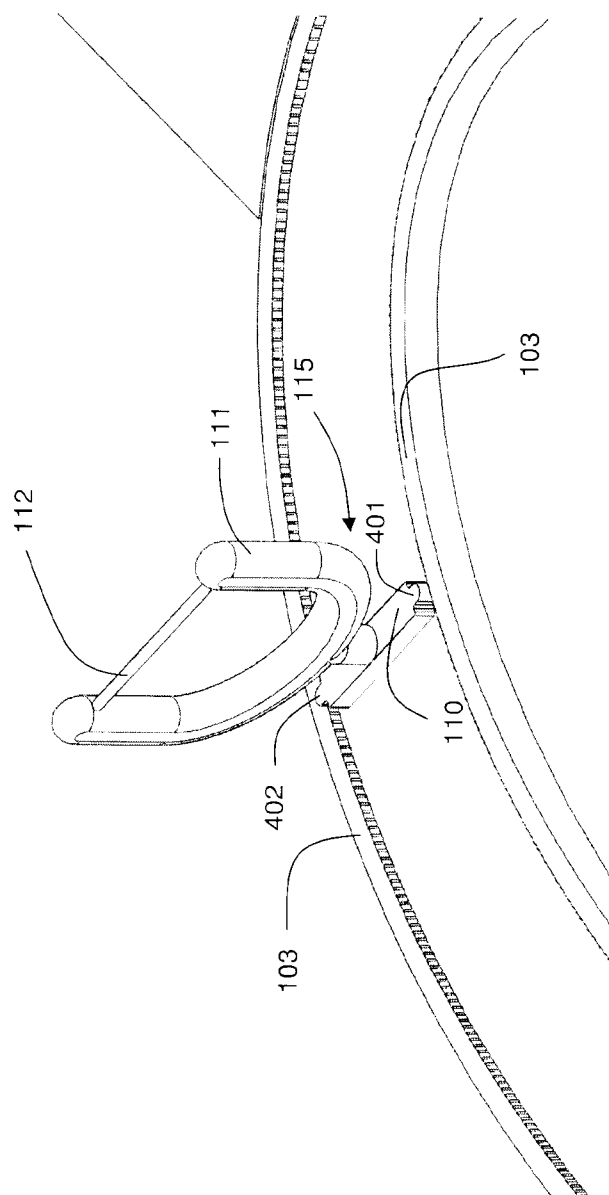


Figure 17

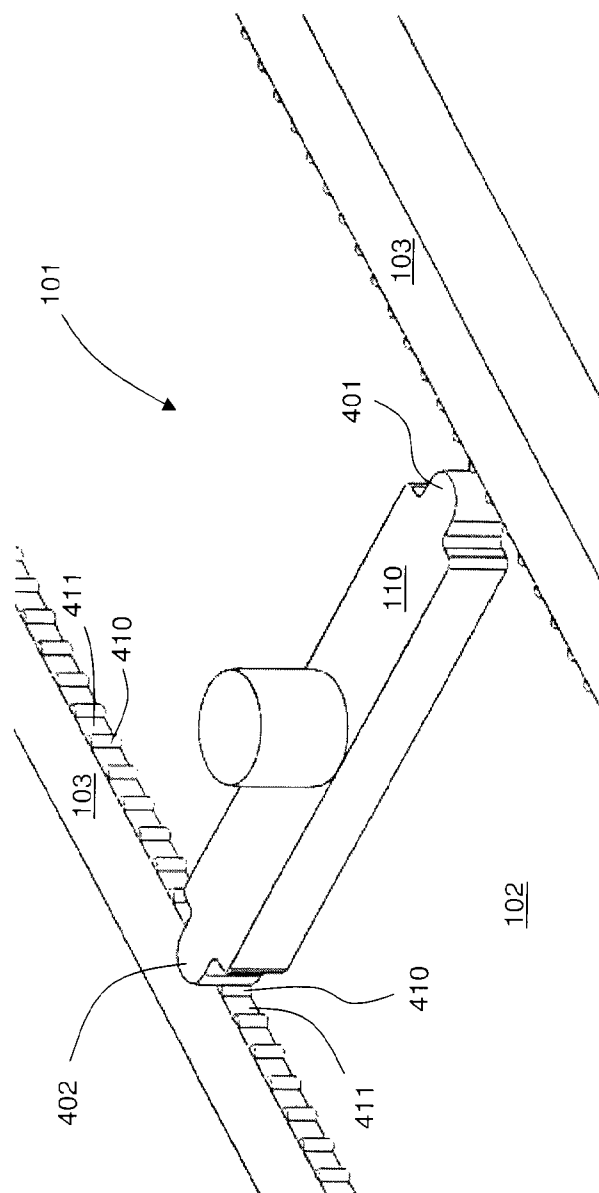


Figure 18

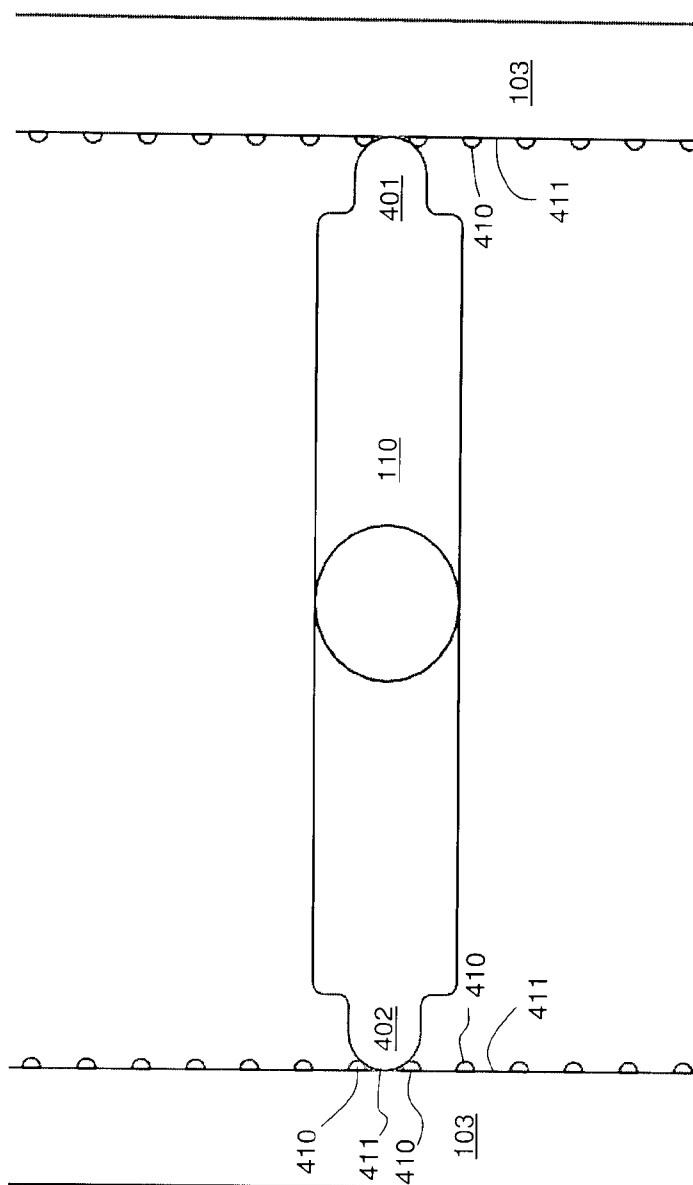


Figure 19

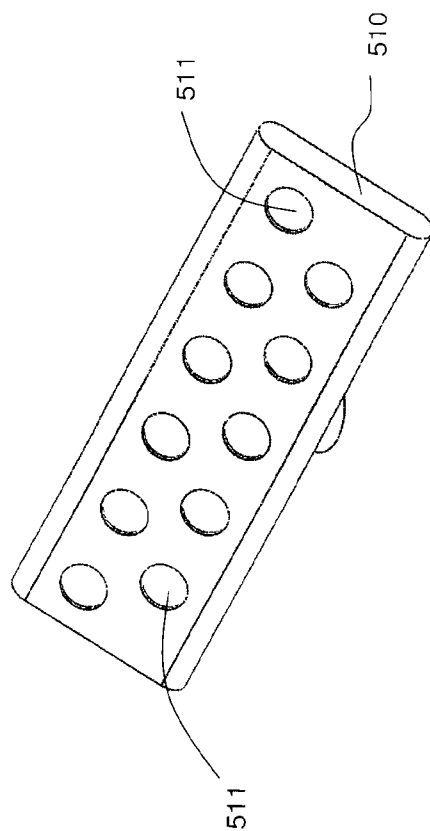


Figure 20

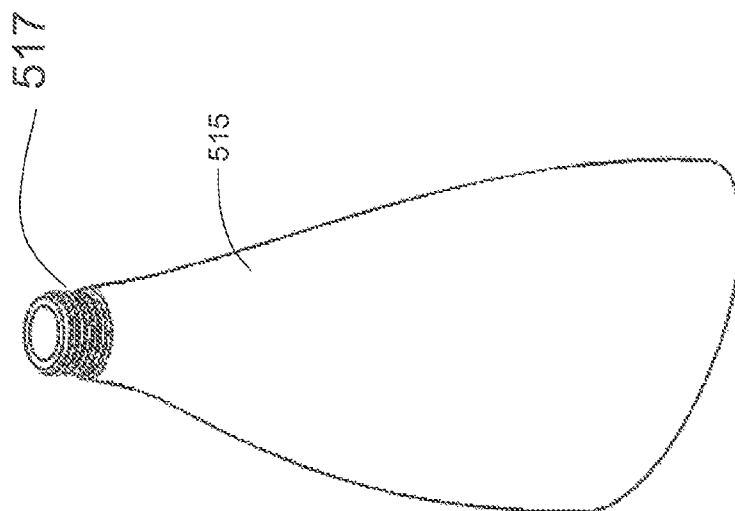


Figure 21

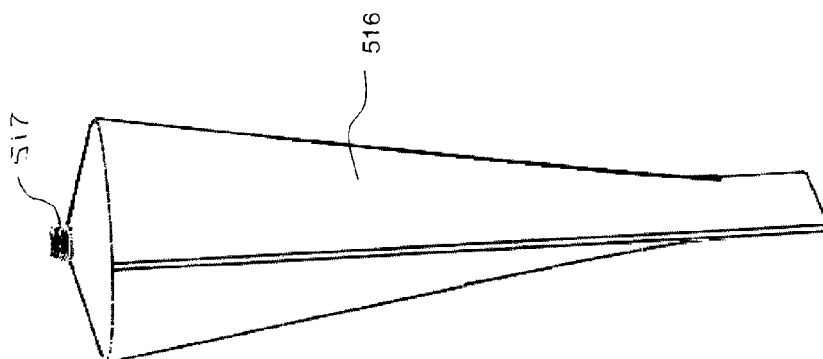


Figure 22

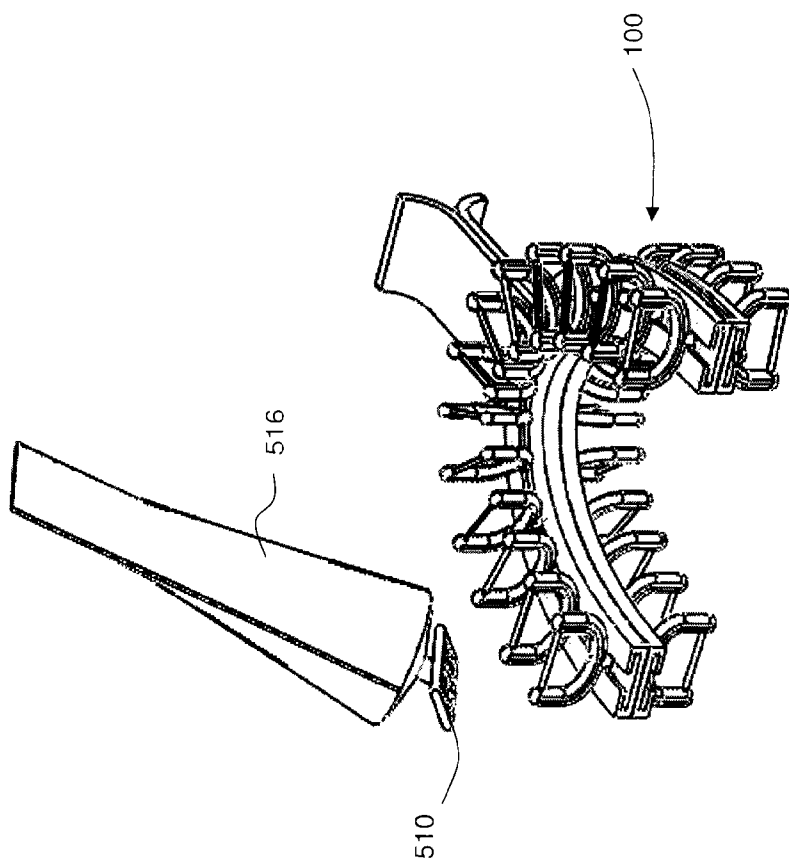


Figure 23

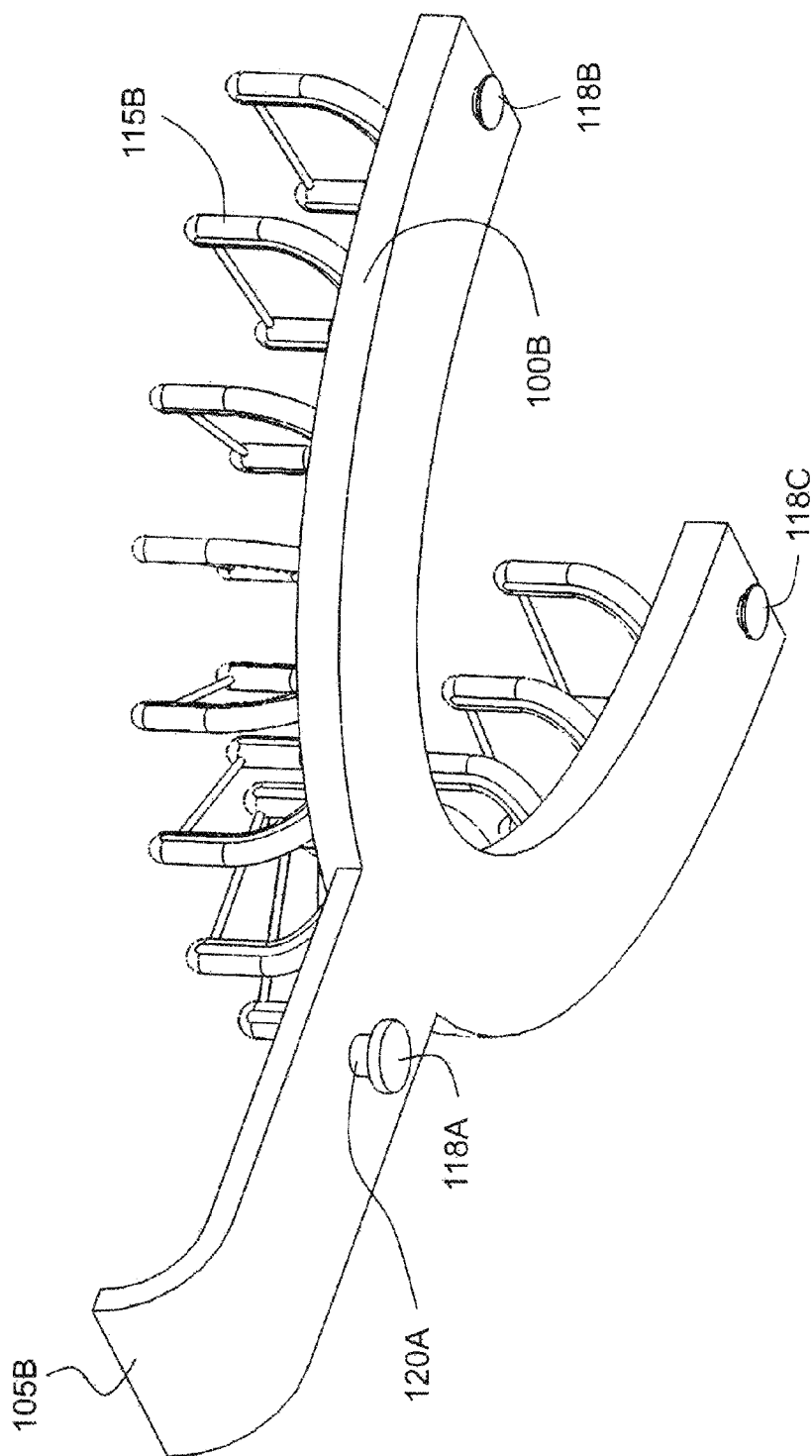


Figure 24

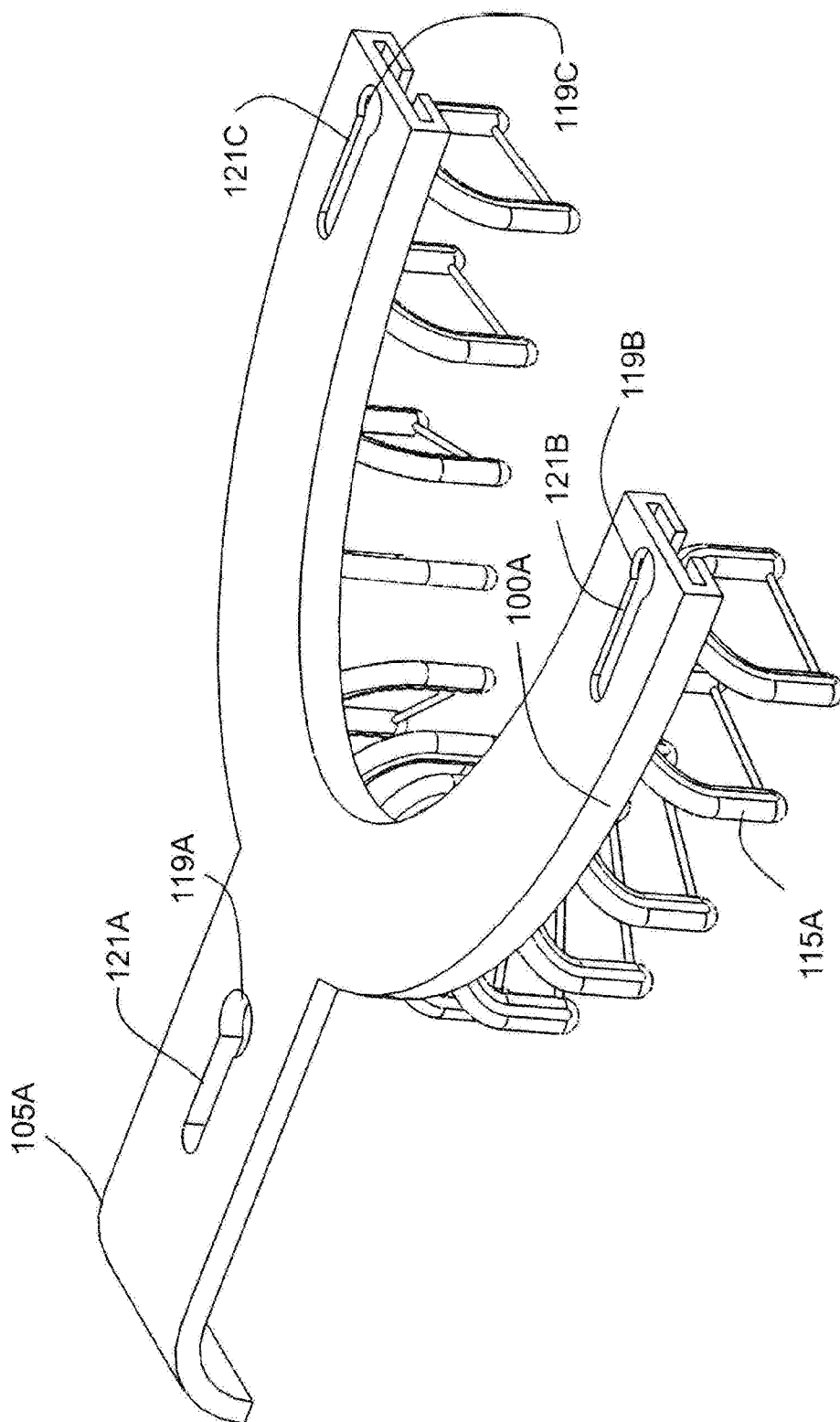


Figure 25

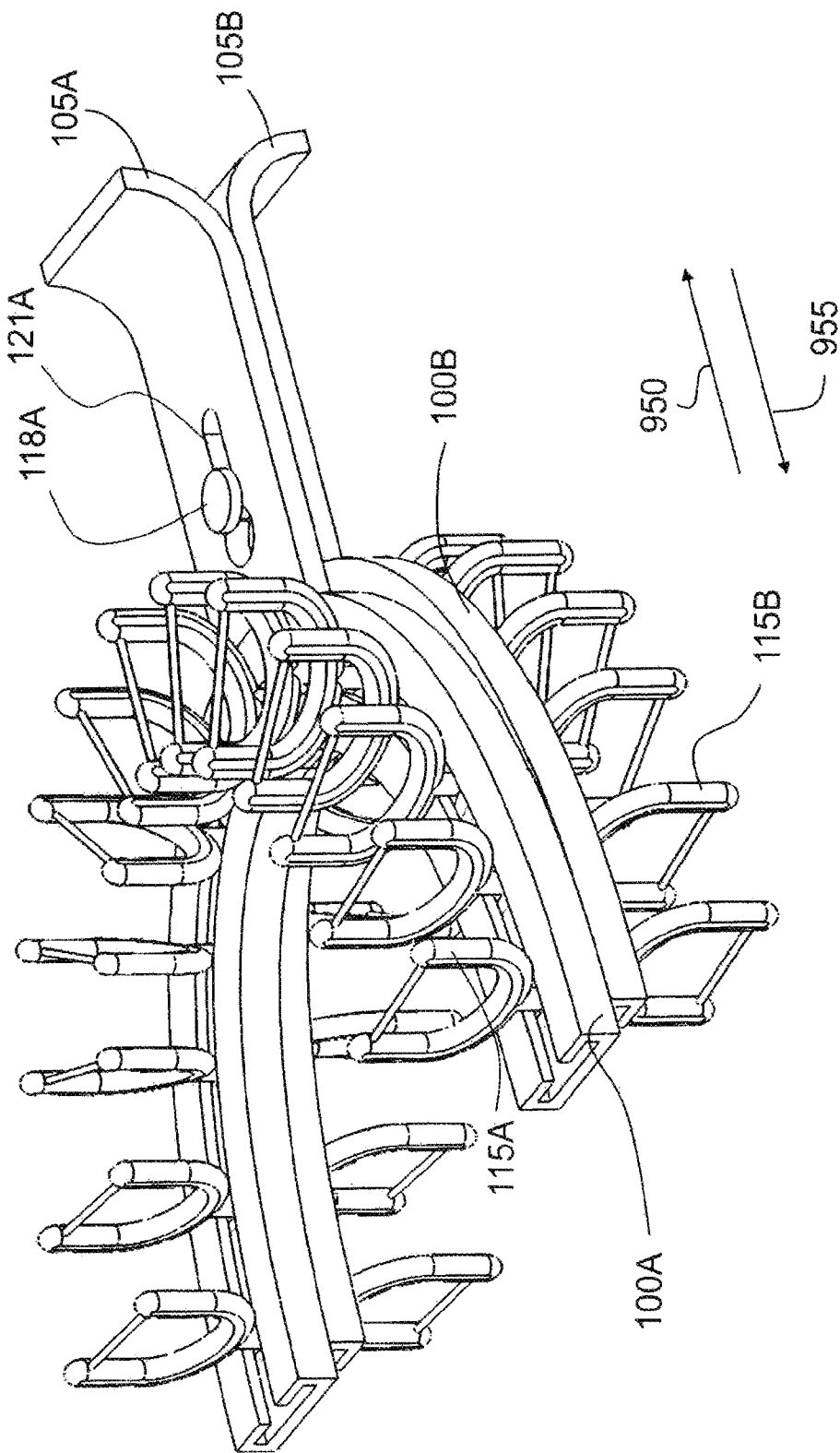


Figure 26

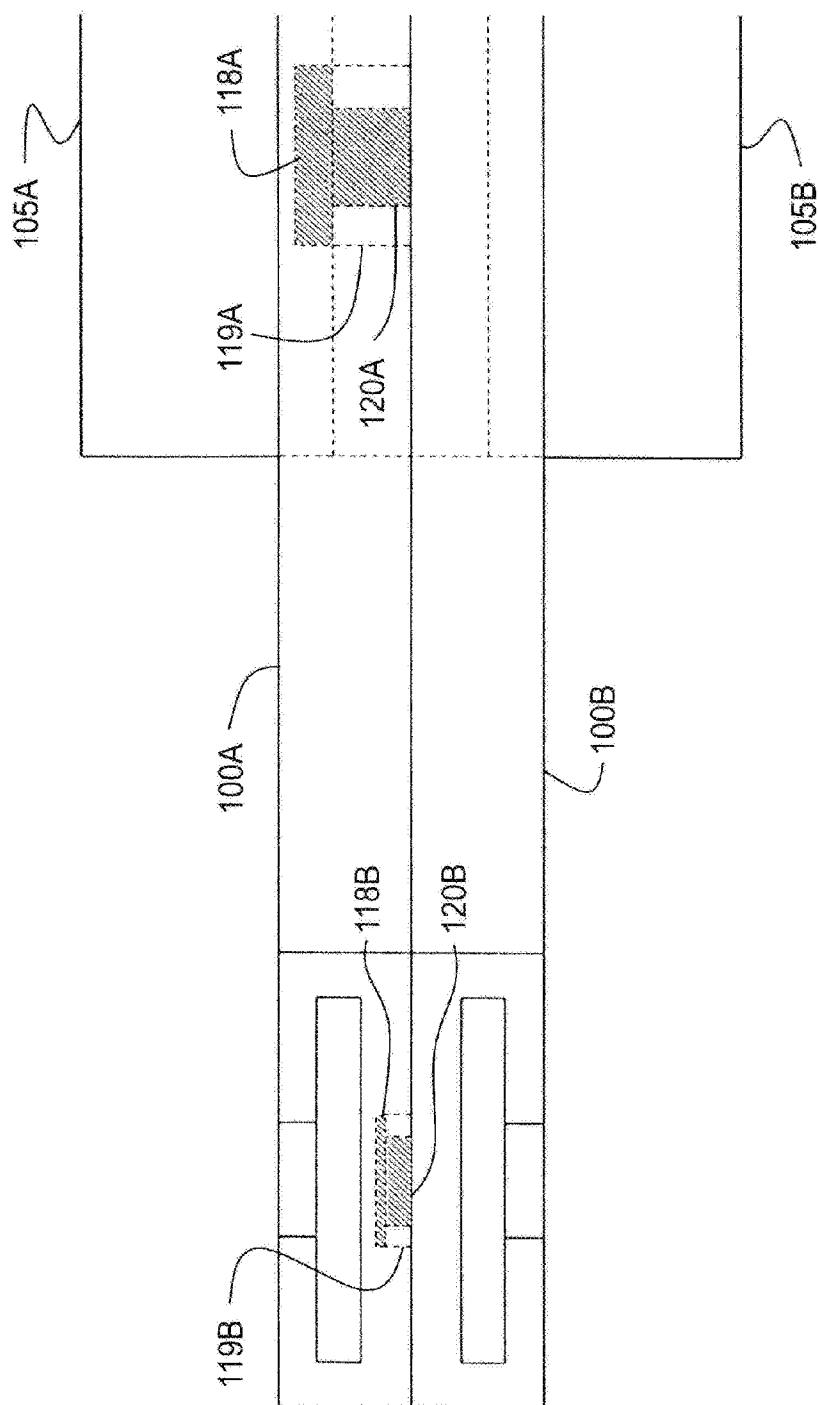


Figure 27a

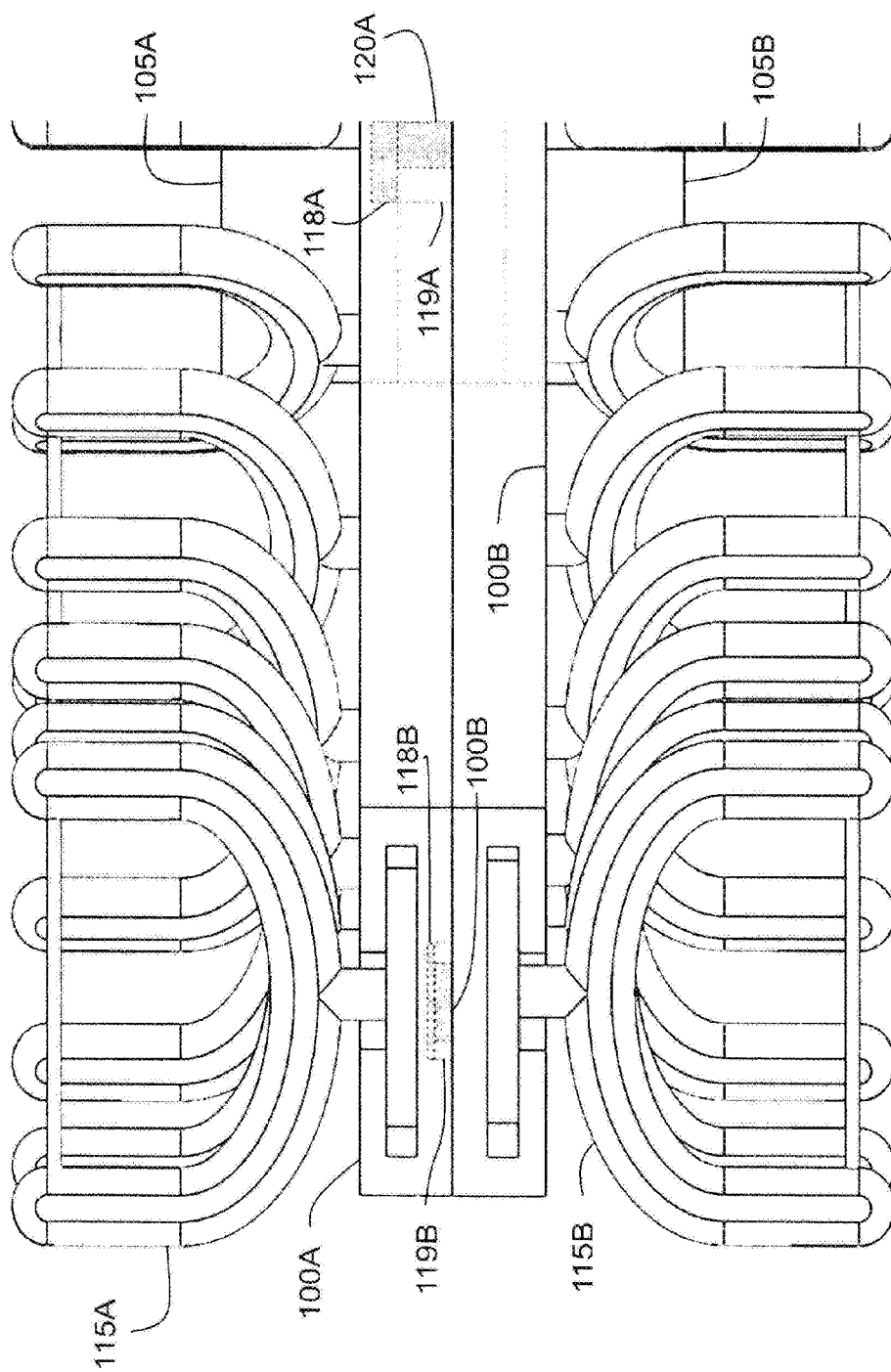


Figure 27b

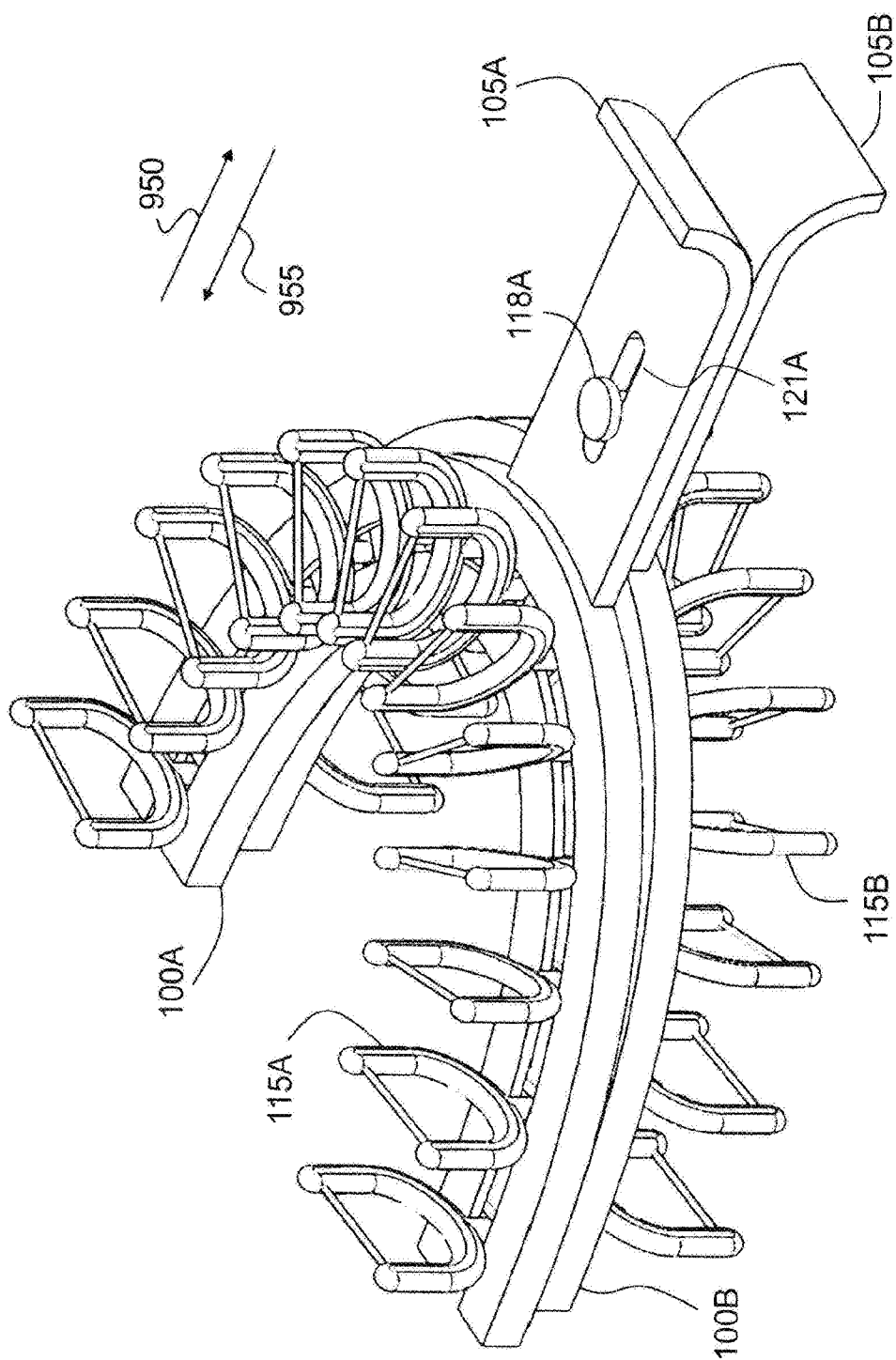


Figure 28

1

ADJUSTABLE FLOSSING MOUTHPIECE

RELATED APPLICATIONS

This application claims priority to and incorporates by reference herein the provisional application Ser. No. 61/424, 626 filed Dec. 18, 2010 entitled “Adjustable Flossing Mouthpiece Patent Inquiry”.

1. FIELD OF USE

This disclosure pertains to an improved method of cleaning teeth and maintaining dental health.

2. RELATED ART

Tooth brushes, dental floss and related holder apparatus are known in the art.

SUMMARY OF INVENTION

This disclosure pertains to one or more retainer devices holding floss picks wherein the floss picks are adjustable relative to the interproximal spaces between the teeth.

SUMMARY OF DRAWINGS

The accompanying drawings, which are incorporated in and constitute a part of the specification, illustrate preferred embodiments of the invention. These drawings, together with the general description of the invention given above and the detailed description of the preferred embodiments given below, serve to explain the principles of the invention.

FIG. 1*a* illustrates a perspective view of a retainer component with a handle. Also illustrated is a channel subcomponent that can be used to hold a floss pick component.

FIG. 1*b* illustrates another perspective view of the retainer component.

FIG. 2*a* illustrates a front view of a floss pick including the moveable holder component that fits within the channel subcomponent of the retainer.

FIG. 2*b* illustrates a perspective view of a floss pick component showing the floss strand and the moveable holder component.

FIG. 2*c* illustrates a prospective view of the floss pick containing friction pads which may be used to moveably position the floss pick in the retainer.

FIG. 3*a* illustrates a perspective view of a floss pick containing a hooped floss strand.

FIG. 3*b* illustrates a perspective view of a plurality of floss picks adjustably positioned in the channel subcomponent of the retainer.

FIG. 4*a* illustrates the retainer and floss picks oriented to fit with the teeth of the upper jaw.

FIG. 4*b* illustrates the retainer and floss pick oriented to fit with the teeth of the lower jaw. Protrusions illustrated on the retainer of FIG. 4*b* can fit together with complementary indentations in the retainer of FIG. 4*a*.

FIGS. 5*a* and 5*b* illustrate another perspective of the upper and lower retainers. These retainers also contain complementary slots and protrusions to allow movement of each retainer.

FIG. 6 is a perspective illustration of the upper and lower retainers and floss picks as they may be inserted into the mouth.

FIG. 7 illustrates that the upper and lower retainer may be moved independently of the other.

2

FIG. 8 illustrates that the floss picks positioned for use with the back or rear teeth can be shorter than the floss picks used for the front teeth.

FIG. 9 is a perspective view of another embodiment of a retainer component.

FIG. 10*a* illustrates a perspective view of a floss pick adapted to the retainer of FIG. 9.

FIG. 10*b* illustrates a perspective view of an alternate embodiment of a floss pick capable of holding a floss strand for the teeth of both the upper and lower jaw.

FIG. 11*a* illustrates a perspective view of a plurality of floss pick holders on the retainer.

FIG. 11*b* illustrates a plurality of floss pick holders for both the upper and lower jaw on the retainer.

FIG. 12*a* illustrates a perspective view of the upper portion of a floss pick with connective holder detachable/attachable to the base.

FIG. 12*b* illustrates the base of a floss pick with complementary connective coupling for the upper portion of the floss pick.

FIG. 13 is a perspective view of a floss pick adapted to include bristles.

FIG. 14 illustrates a floss pick with a grooved base to fit with serrated edges of the shoulders of the channel.

FIG. 15 is a detailed view of the grooved floss pick base.

FIG. 16 is a top view of the grooved floss pick base.

FIG. 17 is a perspective view of the serrated edge of the retainer shoulders of the channel in moveable communication with the grooved floss pick base.

FIG. 18 is a detailed view of the components of the serrated edges that interact with the grooved floss pick base.

FIG. 19 is a top view of the floss pick base interacting with the components of the serrated shoulder edges of the retainer channel.

FIG. 20 illustrates a perspective view of a gel or paste applicator that comprises several perforations from which cleaning gel or paste may be applied to one floss pick or multiple floss picks simultaneously.

FIG. 21 illustrates a cleaning gel or paste container attachable to the paste applicator.

FIG. 22 illustrates a cleaning floss gel or paste tube.

FIG. 23 illustrates a perspective view of the floss cleaning gel or paste tube with applicator and the assembled floss pick retainer.

FIG. 24 illustrates a perspective view of a first retainer wherein the front of the retainer includes a protrusion with an enlarged top component. The retainer also includes two protrusions proximate to the end of the retainer.

FIG. 25 illustrates a perspective view of a second retainer with complementary recess components to receive the protrusions of the retainer illustrated in FIG. 24. It will be appreciated that the recess may extend through the thickness of the retainer.

FIG. 26 shows the retainers illustrated in FIGS. 24 and 25 positioned together.

FIG. 27*a* shows a cross-sectional elevation view of the retainers illustrated in FIG. 26, wherein the protrusion proximate to the end of the first retainer aligns with a slot that is recessed in the corresponding second retainer and the protrusion at the front of the first retainer aligns with a slot that is cut through the handle of the corresponding second retainer.

FIG. 27*b* shows a cross-sectional elevation view of the retainers illustrated in FIG. 27*a* along with a plurality of floss picks adjustably positioned in the retainer.

FIG. 28 shows an alternate embodiment of the retainers illustrated in FIGS. 24 and 25, where there is no recess proximate to the end of the slot of the second retainer and the retainers cannot be detached.

DETAILED DESCRIPTION OF THE DISCLOSURE

The device subject of this disclosure facilitates dental hygiene. One of the most important activities promoting good dental hygiene is flossing. This activity requires pulling or pushing a strand of dental floss between each tooth, i.e., in the interproximal dental space. The floss is rubbed against the side surface of each tooth and under the gum line. The activity cleans food particles and debris situated between the teeth and below the gum line. Flossing the teeth at the rear of the mouth by prior art methods are often performed with considerable difficulty.

The device subject of this disclosure simplifies the flossing activity. It also makes the activity more efficient. The device can comprise a lower jaw retainer or component and an upper jaw retainer or component. In another embodiment, the device comprises a single retainer component for both the upper and lower jaw.

Positioned on each retainer are floss picks aligned with the interproximal dental spaces between the teeth. The floss picks hold strands of floss that may also comprise bristles and hoops. The user places the device in his or her mouth and closes his or her jaws on the device, thereby inserting floss between the teeth. The floss is held by the floss picks. The user can move individual floss picks on the retainer to match the position of the floss pick with the interproximal dental spacing. This is referred to as positionally moveable in the retainer. This can require removal of the device from the user's mouth. It may also require pressing on the friction held floss picks to move the floss pick within the retainer. In another embodiment, the floss pick can be moved by movement of the floss pick base along the serrated edge of the retainer channel shoulder. Other mechanisms for moving and positioning the floss picks within the retainer will be apparent to persons skilled in the art and are subject of this disclosure.

The floss can be rubbed on the teeth surfaces by gently moving the mouthpiece back and forth and side to side and opening and closing the mouth. The device also allows the user to adjust the position of individual floss picks. It will be appreciated that once a comfortable or effective cleaning position is achieved for each floss pick, the floss pick stays in that position. The user can purchase the device with floss picks preassembled according to the average interproximal dental spacing for an adult or a child. Final adjustments can be made by the user. It is not necessary to have the device adjusted or fitted by a dental hygienist.

In one embodiment, the device comprises a retainer component ("retainer") that contains an arch or curved structure that matches the dental arch of an individual, i.e. the pattern of the teeth of the upper jaw and lower jaw. The retainer, having a generally U shape, contains a channel following the outline of the U shape. Adjacent to the channel are two shoulders. As will be explained below, the shoulders may have a serrated surface. The retainer also has a flat bottom surface. The retainer may also have a handle that protrudes from the user's mouth. This can assist in maneuvering the retainer and floss picks into correct positions relative to the interproximal spaces. The handle can also maneuver the floss picks between the front and back dental surfaces of the interproximal spaces and beneath the gum line during use.

It will be appreciated that the retainer may comprise two separate components, i.e., an upper retainer and a lower retainer. The lower retainer will be oriented to the teeth of the lower jaw. Accordingly, the channel described above will also be oriented to the teeth of the lower jaw and the flat surface of the lower retainer will abut the flat surface of the upper retainer. In another embodiment discussed below, there may be a single retainer with an upper and lower channel. The single retainer may comprise two components and one component can slide laterally relative to the other component.

The retainer holds floss picks. In one embodiment, the floss picks comprise a base. The base fits into the channel of the retainer. In one embodiment, friction between the base and the retainer channel controls or maintains the position of the floss pick in the retainer. Part or all of the floss pick base and the channel and shoulders can be covered in a friction material. Pads that interface with the shoulder structure of the retainer may comprise these materials. Examples of friction material include but are not limited to textured rubber, polyurethane, or ethylene vinyl acetate.

Extending from the base of the floss pick is a neck. The neck may join a U shaped component. The U shaped component comprises arms. The U shaped component holds a strand of dental floss. The floss can be held by holes in the U shaped component. The holes will be proximate to the end of the two arms of the U shaped component. In another embodiment, the arms may contain slots for holding the floss. In another embodiment, the slots may include a cutting surface to allow the user to easily control the amount of floss placed between the arms of the U shaped component of the floss pick. This can allow the user to replace the strands of dental floss. In yet another embodiment, the floss may be molded to the ends of the floss pick arms. In one embodiment, the floss is held taut between the U shaped arms. In another embodiment the floss may have a predetermined slack between the arms. In another embodiment, the floss may be elastic or compliant. In yet another embodiment the floss is inelastic or noncompliant.

In one embodiment, the floss picks positioned at the dental arch may comprise wider U shaped components or arms holding a greater length of floss. This greater length may compensate for an overbite of the user. In another embodiment, the floss pick may be positioned at an angle other than normal to the axis of the retainer channel. This will allow the user to adjust the device for irregular positioned teeth.

The height or width of the floss picks may vary, depending upon the position of the floss pick on the retainer. Floss picks positioned at the back of the mouth may be smaller since the back of the jaw does not open as wide as the front. This may facilitate placement of the floss pick retainer device in the user's mouth. The shorter floss picks, understood to protrude above the retainer, fit more comfortably in the area of the back of the jaw. Floss picks positioned proximate to the canine teeth may be taller and narrower.

It will be appreciated that the interproximal dental spaces are located approximately in the same place for all individuals. In one embodiment, upper and lower retainers can be furnished with floss picks positioned in the retainer channel at the approximate location of each interproximal dental space. The user can separately position the floss picks of each retainer, including by placing the upper and lower retainers separately in the mouth, positioning the floss picks appropriately, reattaching the upper and lower retainers, and placing the combined device in the user's mouth. In one embodiment, each retainer can be separately placed in the user's mouth. The two-part retainer (upper and lower retainer) can be detachably attached. In one embodiment, the attachment mechanisms are complementary protrusions and indentations

on the bottom of each retainer component. The user can adjust the positioning of each floss pick as necessary in the retainer to match the spacing to of the interproximal spacing between the user's teeth. As stated above, the floss picks are positionally moveable in the retainer. This may involve removing the device from the user's mouth and the user adjusting the position of one or more floss picks with his or her fingers.

In one embodiment, the retainer is made of a compliant material. The elasticity of this compliant material may provide the mechanism to hold the floss pick in place on the retainer.

In one embodiment, the floss picks are moved in the channel component of the retainer. In one embodiment, the individual floss picks may be fixedly positioned in the retainer channel so that the position of the floss picks will not change through flossing action. In one embodiment, the base of the floss pick fits between the shoulders of the retainer channel. The base of the floss pick may have ends dimensioned to fit between protrusions or serrations on the shoulders of the retainer channel. The retainer and/or floss pick structure can be made of a plastic material sufficiently compliant to allow the ends of the floss pick base to be moved across the protrusions of the retainer channel shoulders.

In one embodiment, there is an upper jaw retainer and a lower jaw retainer. The bottom surface of the upper jaw retainer and the upper surface of the lower jaw retainer can have complementary protrusions and indentations allowing the separate retainers to fit together in the mouth. In another embodiment the protrusion of one retainer fits into a slot in the second retainer thereby facilitating lateral movement of each retainer relative to the other. This may facilitate accommodating a user's overbite.

In another embodiment, the retainer can be cylindrically shaped and bent or molded in a U shape to match the dental arch. The retainer can also have a cross-section in the shape of a square or any other shape. The cross section selected can match the inner dimension of the floss pick base. The floss pick can slide along the outer surface of the retainer. Stated differently, if the retainer has a circular cross section, the floss pick base will have a circular aperture dimensioned to fit onto the retainer.

It will be appreciated that the structure of the floss pick can be modified so that an upper and lower jaw floss pick can be joined to share a single base. The base, as explained in the preceding paragraph, comprises an aperture that fits over the retainer. It will be appreciated that the retainer can have a serrated edge that matches one or more protrusions on the inside surface of the floss pick base aperture. Thus the position of the floss pick upon the retainer can be adjusted and controlled. In another embodiment, the position of the floss pick in the retainer is controlled by friction between the floss pick base and the retainer channel holding the base. In another embodiment, the position of the floss pick is controlled by the interaction between the floss pick base and the compliant material of the retainer. This can include the cylindrically shaped retainer discussed above with the floss picks utilizing complementary sized apertures.

FIG. 1a illustrates one embodiment of the device. Illustrated is the U shaped retainer 100. Also shown is the handle 105 that may protrude from the user's mouth. The retainer comprises a channel 101 that follows the dental arch 106. The channel contains a flat bottom 102 and two shoulders 103. FIG. 1b illustrates another perspective of the retainer including the channel 101, bottom surface 102 and shoulders 103. It will be appreciated that the openings at the end of the retainer and illustrating the channel may be closed.

FIG. 2a illustrates a side view of floss pick 115. Included is the base 110, neck 113 connecting the base and the U shaped arms 111 holding the floss 112. It will be appreciated that the flat base of the floss pick fits/slides onto the flat surface 102 of the retainer. It will be appreciated that in some embodiments the base may not be flat. For example the bottom may be rounded to conform to an undulating surface of the channel. This may facilitate floss pick position control. The retainer shoulders 103 fit over the top of the base 110 and the neck 113 extends through the opening of the channel 101. FIG. 2b is a perspective of the floss pick 115. FIG. 2c illustrates a perspective view of the base 110 further comprising friction material 181 to facilitate holding the base in a fixed position in the retainer. The friction pads 181 may interface with the surfaces of the retainer shoulders, which may also comprise friction material.

FIG. 3a is a perspective view of the floss pick 115, including the base 110, neck 113, U shaped arms 111 and floss strand comprising hoops 241. The hoop structure increases the effective diameter of the floss to improve cleaning action within the interproximal dental space. In one embodiment, the hoop may be fabricated from floss woven in a circular shape. In another embodiment the floss pick is extruded or injection molded to include a softer portion forming a floss hoop.

In other embodiments, the strand may contain bristles.

FIG. 13 illustrates another embodiment of the floss pick wherein the floss pick comprises bristles 240. Also illustrated is the U shaped arms 111

It will be appreciated that the floss pick may not have U shaped arms. For example, but not by way of limitation, the floss pick arms may have a Y shape. Other configurations are possible and will be apparent to persons skilled in the art. Such configurations are included within the scope of this disclosure. FIG. 3b illustrates a plurality of floss picks 115 positioned in the U shaped retainer 100. Illustrated is the floss pick base 110, neck 113, and U shaped arms 111. Also illustrated is the retainer channel 101, flat channel bottom surface 102 and shoulders 103. It will be appreciated that the flat bottom 113 of the floss pick 115 slides on the flat bottom surface 102 of the channel and the neck 113 protrudes between the shoulders 103 of the channel 101.

FIG. 4a illustrates a bottom perspective view of the upper jaw retainer 100A. Also illustrated are indentations 119. FIG. 4b illustrates a top perspective view of a lower jaw retainer 1108 with complementary protrusions 118 matching the indentations 119 of 100A. These complementary indentations and protrusions fit together and allow both retainers to move in the mouth as a single unit.

FIG. 5a illustrates another embodiment of the upper jaw retainer 100B with protrusions 120. These protrusions slideably fit into grooves 121 illustrated in the lower jaw retainer 100B in FIG. 5b. The grooves may be straight or serrated as illustrated in FIG. 5b. FIG. 6 illustrates the upper jaw retainer 100A and lower jaw retainer 100B with the corresponding and oppositely oriented floss picks 115A, 115B. The handles 105A and 105B are also illustrated.

FIG. 7 illustrates the embodiment illustrated in FIG. 6. Illustrated is the movement of the two retainers 100A, 100B as depicted by vector arrows 950, 955.

In another embodiment, not shown, the retainer for the upper and lower jaw can be a single unit with a top and bottom channel for retaining and positioning the floss picks. In yet another embodiment, the single retainer can permit the upper jaw retainer subcomponent to laterally move in relation to the attached lower jaw component.

FIG. 8 illustrates the retainer device containing floss picks of varying heights. For example the floss picks **115a** may be shorter than floss picks positioned at **115b**. This may facilitate placement of the floss pick retainer device in the user's mouth. The shorter floss picks, understood to protrude above the retainer, fit more comfortably in the area of the back of the jaw. It will be appreciated that the back of the jaw does not open as widely as the front of the jaw.

FIG. 9 illustrates another embodiment of the retainer component **200** including the curvature to match the dental arch **201**. Here the retainer has a cylindrical shape. FIG. **10a** illustrates a floss pick **215** adapted to fit on the cylindrical shaped retainer. The floss pick has a round base **216** with an aperture, a neck **218**, and U shaped arms holding floss **112**. FIG. **10b** illustrates a modified floss pick **225** comprising upper and lower floss picks with opposing arms **210**, **221**

FIG. **11a** illustrates an embodiment of the invention where a plurality of floss picks **215** are mounted on the cylindrical retainer **200**. FIG. **11b** illustrates the device wherein the each floss pick **225** is modified to be oriented to both the teeth of the lower and upper jaw. Each floss pick is mounted on the cylindrical retainer **200**.

FIG. **10b** also illustrates the floss pick embodiment wherein the floss pick **225** is modified to be oriented to the lower jaw and upper jaw. It will be appreciated that only a single retainer component is required. See FIG. **11b**. Illustrated is the retainer base **217** comprising an aperture with an outer diameter complementary to the diameter of the cylindrical retainer, the opposing supporting neck structures **219**, **220**, U shaped arms **210**, **221** and floss strands **212**, **213**.

One embodiment of the device includes a snap-on replaceable floss pick head. FIG. **12a** is a detachable floss pick head **525** that is removable from the base **526** (FIG. **12b**). The floss pick head can be attached to the base. The floss pick head is comprised of a multi surfaced female connector **527**. The floss pick base comprises a multi surfaced male connector **528**. FIG. **12b**. The detachable head and base may also comprise single cylindrical male and female connectors. It will be appreciated that other configurations or mechanisms are included within the scope of the disclosure.

FIG. **14** illustrates the floss pick **115** grooved adjustment component **401**, **402** attached to the floss pick base **110**. Also illustrated is the neck **113**, U shaped arms **111** and floss strand **112**. FIG. **15** is a detail of the grooved floss pick base **110** and neck **113** with the protrusions **401**, **402** at each end of the base. These protrusions fit within serrations on the channel shoulders. FIG. **16** is a top view of the base illustrating the base **110**, neck **113** and protrusions **401**, **402**.

FIG. **17** illustrates a perspective view of the combined floss pick **115** with the retainer shoulders **103**. Also illustrated is the floss pick base **110**, protrusions **401**, **402**, U shaped arms **111** and strand of floss **112**. It will be appreciated that the shoulders **103** of the retainer may extend over the floss pick base **110** and the serrated edges or protrusions and recesses as described below.

FIG. **18** is a detailed perspective illustration of the floss pick base **110** with the protrusions **401**, **402** interfacing with the shoulder protrusions **410** and recesses **411**. In one embodiment, the number of protrusions along the retainer shoulder is greatest at the location where the radius of the dental arch is smallest.

The protrusions **401**, **402** of the base **110** may be made of compliant material. The shoulder **103** protrusions **410** and recesses may also be made of compliant material thereby allowing the base **110** to pass across the protrusion **410**. Also illustrated is the flat bottom surface of the channel **101**.

FIG. **19** comprises a top view of the floss pick base **110** with the end protrusions **401**, **402**. Also illustrated are the shoulders and the protrusion **410** and recesses **411**.

In addition the disclosure includes an apparatus FIG. **20** to apply a toothpaste or cleaning gel to the floss of the device. The apparatus comprises an applicator **510** shaped to transfer paste or gel to the surfaces of the floss picks. The applicator may be threaded **517** onto the tube **515** illustrated in FIG. **21**. The applicator may be angled to the tube axis of orientation. Additionally, the applicator may comprise a plurality of perforations **511** through which the paste or gel may be transferred to one floss pick or multiple floss picks simultaneously. FIG. **22** illustrates another embodiment of the gel or paste tube, including applicator attaching threads **517**. FIG. **23** illustrates the tube and applicator in relationship to the floss pick retainer. The cleansing gel or paste may include fluoride or teeth whitening agents. The cleansing gel of paste may comprise additives found in tooth paste but may have a lower or higher viscosity to facilitate the disbursement of the cleaning gel or paste over the tooth surface and below the gum line. The fibrous floss strand, hooped strand or bristle may serve as an excellent disbursement mechanism. It will be appreciated that the device may overcome the limitations of brushing the back teeth with a toothbrush with superior disbursement of cleansing gel and antibacterial agents.

FIG. **24** illustrates another embodiment of the retainer **100B** comprising a protrusion **118A**, **120A** proximate to the handle **105B**. The protrusion comprises a shaft component **120A** and an enlarged top component **118A**. This is a variation of the protrusion and slot configuration illustrated in FIGS. **5a** and **5b**. Also illustrated in FIG. **24** are floss picks **115B**. FIG. **25** illustrates an embodiment of a retainer **100A** complementary to the retainer illustrated in FIG. **24**. The retainer is shown inverted to be adapted to fit with the upper retainer shown in FIG. **24**. Illustrated is the recess **119A** extending through the thickness of the retainer and slot **121A** through which the enlarged top component **118A** passes. Also illustrated are recesses **119B** and **119C** and slots **121B** and **121C** which receive protrusions **118B** and **118C** shown in FIG. **24**, respectively. The combination of the slots **121A**, **121B**, and **121C** and protrusions **118A**, **118B** and **118C** may fixably attach the lower retainer to the upper retainer. Also illustrated in FIG. **25** are floss picks **115A**. In another embodiment, the combination of slots and protrusions may removeably attach the lower retainer to the upper retainer. FIG. **26** illustrates the two complementary retainers showing the moveable positional relationship between the enlarged top component **118A** and slot **121A**. It will be appreciated that the retainer components **101A** and **101B** may be moved laterally relative to each other as shown by vector arrows **950** and **955**. FIGS. **27a** and **27b** illustrate cross-sectional elevation views of the two complementary retainers **101A** and **101B**. Illustrated is protrusion **118B**, **120B** proximate to the end of the retainer passing through the recess **119B**, which is cut into the retainer **101A**. Also shown is protrusion **118A**, **120A** passing through recess **119A**, which is cut through the full thickness of handle **105A**. Also illustrated are floss picks **115A** and **115B**. FIG. **28** illustrates an embodiment of the two complementary retainers where the slot **121A** does not include a separate recess for receiving the protrusion **118A**, **120A** and the retainers cannot be removeably detached.

This specification is to be construed as illustrative only and is for the purpose of teaching those skilled in the art the manner of carrying out the invention. It is to be understood that the forms of the invention herein shown and described are to be taken as the presently preferred embodiments. As already stated, various changes may be made in the shape,

size and arrangement of components or adjustments made in the steps of the method without departing from the scope of this invention. For example, equivalent elements may be substituted for those illustrated and described herein and certain features of the invention may be utilized independently of the use of other features, all as would be apparent to one skilled in the art after having the benefit of this description of the invention.

While specific embodiments have been illustrated and described, numerous modifications are possible without departing from the spirit of the invention, and the scope of protection is only limited by the scope of the accompanying claims.

What I claim is:

1. A device for flossing teeth comprising a retainer securing a plurality of floss picks wherein the floss picks have a base, a neck and U or Y shaped floss attachment ends and wherein the floss picks are independent positionally moveable in the retainer and each floss attachment end holds an end of floss and a floss pick base is inserted into a channel of the retainer.

2. A floss pick retainer device of claim 1 comprising a plurality of floss picks that may be independently positioned proximate to the interproximal dental space.

3. The floss pick retainer device of claim 1 further comprising bristles or floss hoops.

4. The floss pick retainer device of claim 1 further comprising floss picks of different dimensions.

5. The floss pick retainer device of claim 1 wherein the retainer is U shaped.

6. The floss pick retainer device of claim 5 dimensioned to conform to a dental arch of a lower jaw or upper jaw.

7. The floss pick retainer device of claim 1 wherein a floss pick can be placed in a first position in the retainer and later placed in a second position in the retainer.

8. The floss pick retainer device of claim 7 wherein the floss pick is held in position in the retainer by friction among the floss pick base and a channel bottom surface and shoulder.

9. The floss pick retainer device of claim 7 further comprising the retainer having a channel component holding a plurality of moveable floss picks.

10. The floss pick retainer device of claim 7 further comprising compliant material within the floss pick base and a channel shoulder and channel bottom surface that holds the floss pick in a moveable position.

11. The floss pick retainer device of claim 1 wherein the floss picks are positionally moveable by operation of protrusions of the plurality of floss picks that interface with recesses or serrations in the retainer.

12. The floss pick retainer device of claim 11 further comprising the retainer having protrusions and recesses or serrations.

13. The floss pick retainer device of claim 12 further comprising retainer protrusions and recesses in one or more shoulders of the retainer.

14. A method of flossing teeth comprising positioning a plurality of floss picks on a retainer using friction between the base of the floss picks and the shoulders and bottom surface of the retainer channel and inserting a floss strand attached to each floss pick into the interproximal space between teeth.

15. The method of claim 14 comprising inserting one or more of a group consisting of a floss strand, bristles or hoops attached to the floss pick into the interproximal space between teeth.

16. The method of claim 14 comprising attaching a plurality of floss picks on a retainer and positioning the floss picks along the retainer to align with the interproximal spaces between teeth.

17. ; A method of flossing teeth comprising the steps of:

- a) a user holding a retainer containing one or more floss picks wherein each floss pick comprises a U or Y shaped component containing an individual piece of floss;
- b) adjusting the floss pick position by moving a floss pick base along a channel bottom surface and shoulder of the retainer;
- c) placing the retainer with the floss picks in the user's mouth; and
- d) closing the user's mouth on the retainer to position individual strands of floss attached to the floss picks in the interproximal space between the teeth.

18. The method of claim 17 further comprising moving the floss pick in relation to the retainer to match the user's interproximal space between teeth.

19. A floss pick retainer device comprising an upper jaw retainer component comprising at least one positionally moveable floss pick and a lower jaw retainer component comprising at least one positionally moveable floss pick and further comprising the upper jaw retainer component containing protrusions or recesses dimensioned to fit together with complementary protrusions or recesses in the lower jaw retainer component.

20. A floss pick retainer device of claim 19 wherein the upper jaw retainer component is attachable to the lower jaw retainer component and wherein each retainer component is moveable relative to the other retainer component and further comprising the upper jaw retainer component containing protrusions, slots or recesses dimensioned to fit together with complementary protrusions, slots or recesses in the lower jaw retainer component.

21. A floss pick retainer device of claim 19 wherein each retainer component is moveable relative to the other retainer component and further comprising the upper jaw retainer component containing a protrusion or slot dimensioned to fit together with a complementary protrusion or slot in the lower jaw retainer component wherein the upper and lower jaw retainer components cannot be detached.

* * * * *