



(12) **United States Design Patent**
Rosso

(10) **Patent No.:** **US D571,953 S**
(45) **Date of Patent:** **** Jun. 24, 2008**

(54) **LIGHTER ATTACHMENT**

(76) Inventor: **Stephen P Rosso**, 3370 31st St., #2, San Diego, CA (US) 92104

(**) Term: **14 Years**

(21) Appl. No.: **29/296,925**

(22) Filed: **Oct. 31, 2007**

(51) **LOC (8) Cl.** **27-05**

(52) **U.S. Cl.** **D27/161; D27/196**

(58) **Field of Classification Search** **D27/161, D27/167, 196, 141, 148, 183, 172; 131/247; 206/85-89**

See application file for complete search history.

(56) **References Cited**

U.S. PATENT DOCUMENTS

165,274 A	7/1875	Suter
544,691 A	8/1895	Rupprecht
734,295 A	7/1903	Blanpied
1,019,028 A	3/1912	Dodge
1,519,955 A	12/1924	Ciulla et al.
2,099,203 A	11/1937	Haines
2,256,848 A	9/1941	Pokorny
2,585,071 A	2/1952	Allen
2,633,137 A	3/1953	Narragon
2,790,448 A	4/1957	Bock
2,894,515 A	7/1959	Wisner, Jr.
3,220,420 A	11/1965	Genoud
3,234,916 A	2/1966	Fassbender
3,263,690 A	8/1966	Buckley
3,269,396 A	8/1966	Lamar
3,327,717 A	6/1967	Grossman
3,746,013 A	7/1973	Larson
3,777,766 A	12/1973	Kanady
3,822,711 A	7/1974	Egger
3,853,132 A	12/1974	Patton
3,923,085 A	12/1975	Nimer

4,043,348 A	8/1977	Kanady	
4,044,807 A	8/1977	Swainson	
4,152,109 A	5/1979	Schaffer	
4,206,770 A *	6/1980	Ozgener	131/247
4,318,416 A *	3/1982	Thornhill	131/247
D270,952 S	10/1983	Peterson	
4,550,739 A	11/1985	Henderson	
4,600,022 A	7/1986	Pierce, Jr.	
D358,681 S *	5/1995	Toombs	D27/148
D376,871 S *	12/1996	Sanchez et al.	D27/183
D509,318 S	9/2005	Poinstingl et al.	
D565,791 S *	4/2008	Crawford et al.	D27/161
D566,887 S *	4/2008	Hui	D27/141

* cited by examiner

Primary Examiner—Jennifer Rivard

(74) *Attorney, Agent, or Firm*—John Karl Buche

(57) **CLAIM**

The ornamental design for a lighter attachment, as shown and described.

DESCRIPTION

FIG. 1 is an angled overhead perspective view of the lighter attachment.

FIG. 2 is a front elevation view of the lighter attachment of FIG. 1.

FIG. 3 is a rear elevation view of the lighter attachment of FIG. 1.

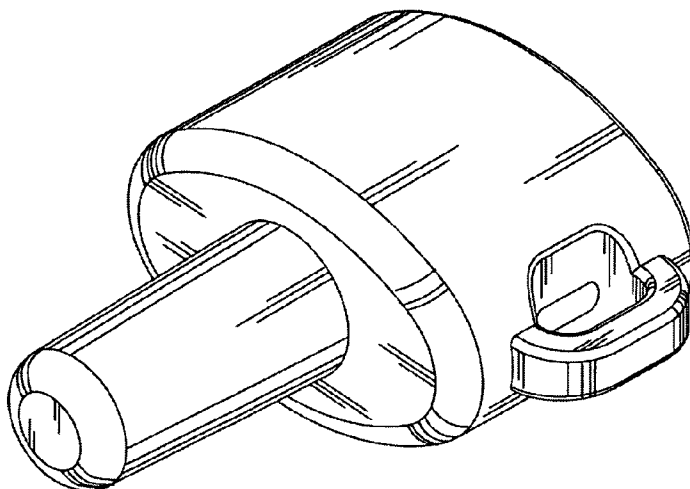
FIG. 4 is a top plan view of the lighter attachment of FIG. 1.

FIG. 5 is a bottom plan view of the lighter attachment of FIG. 1.

FIG. 6 is a left side elevation view of the lighter attachment of FIG. 1; and,

FIG. 7 is a right side elevation view of the lighter attachment of FIG. 1.

1 Claim, 7 Drawing Sheets



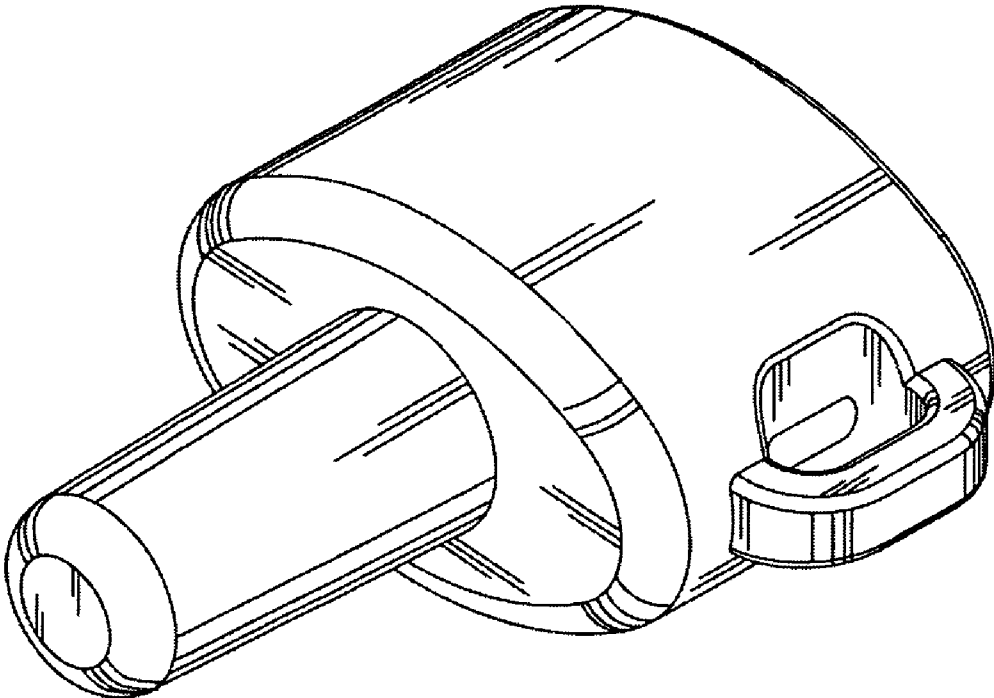


FIG. 1

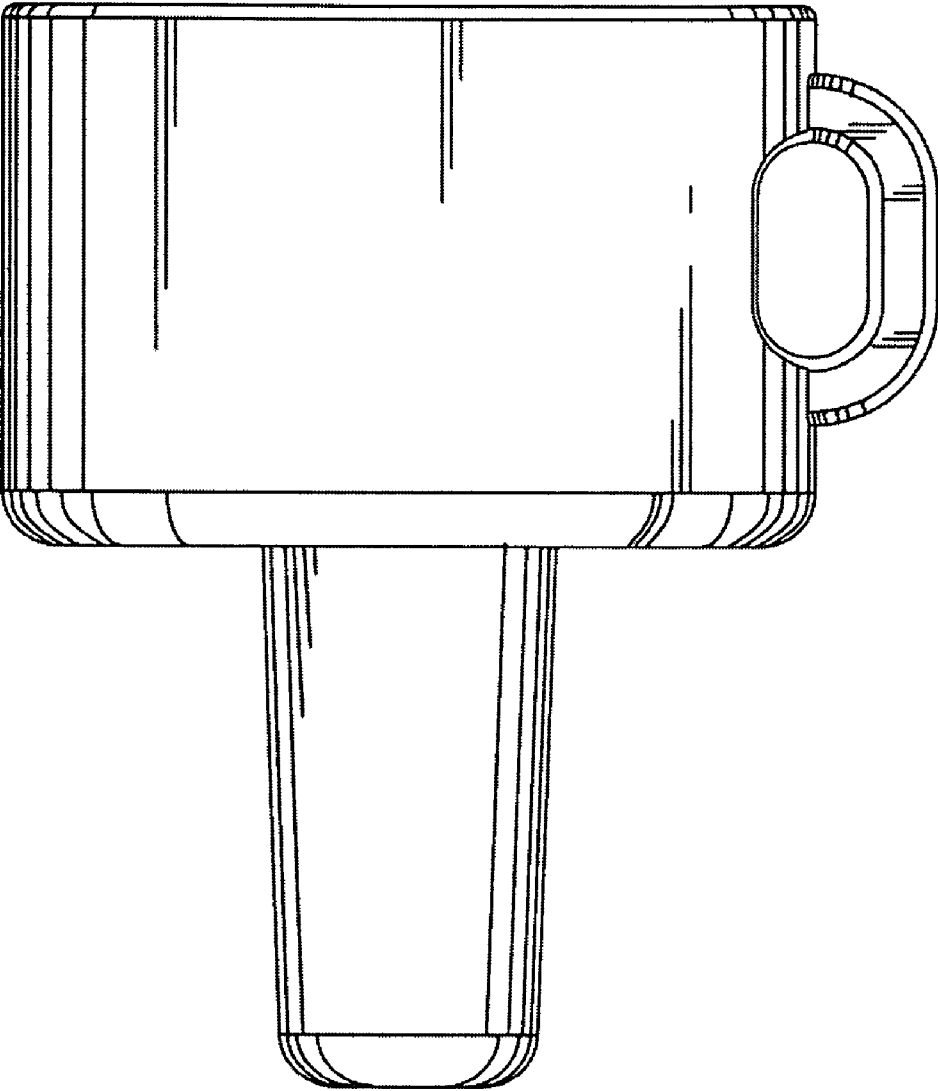


FIG. 2

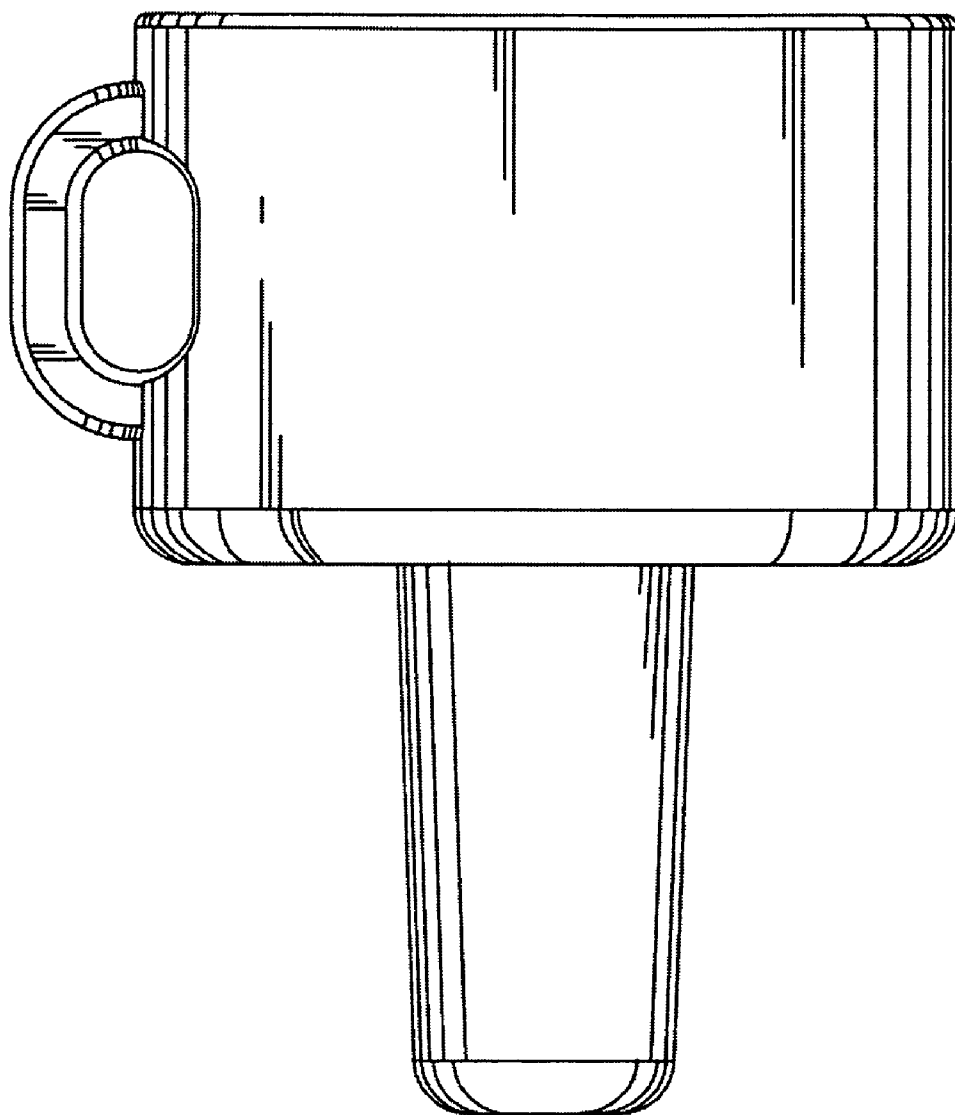


FIG. 3

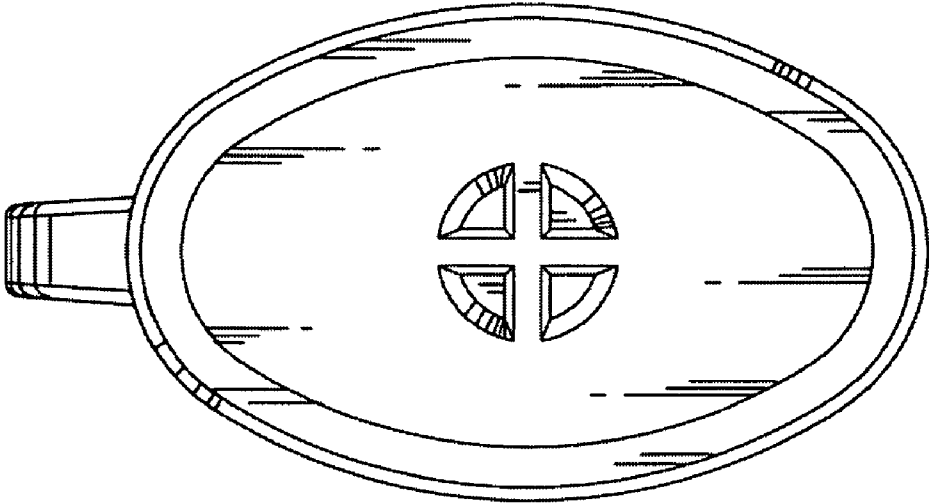


FIG. 4

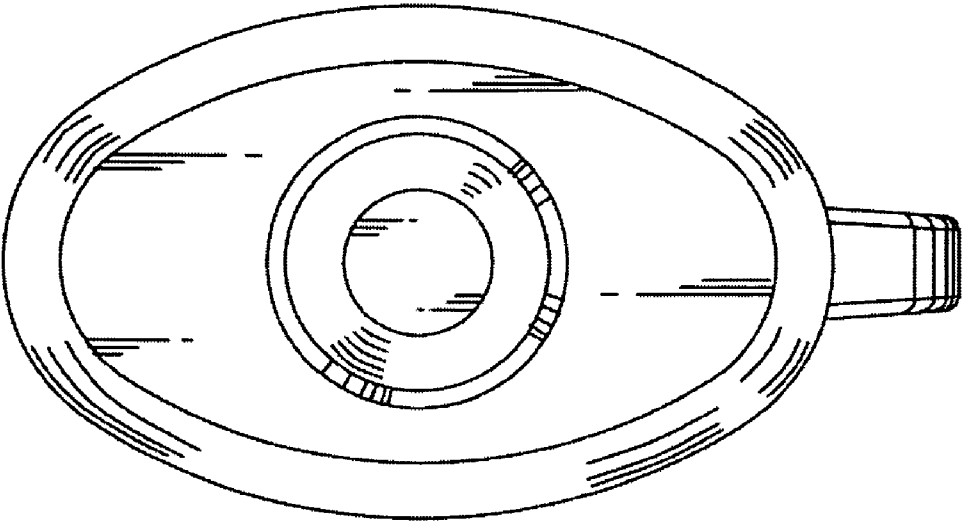


FIG. 5

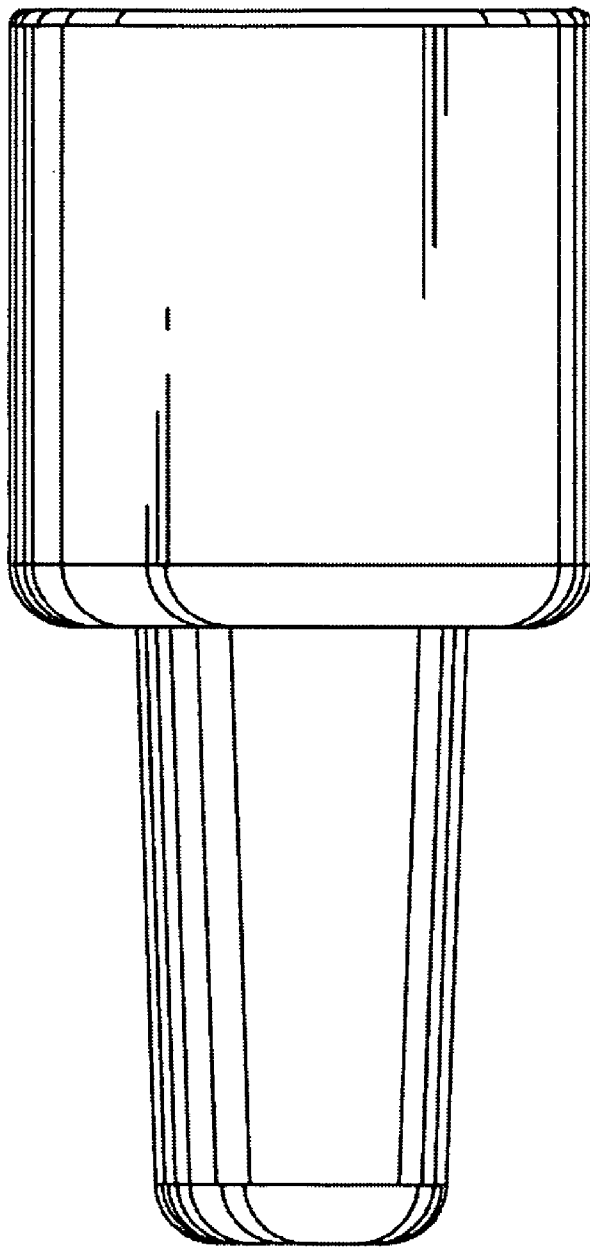


FIG. 6

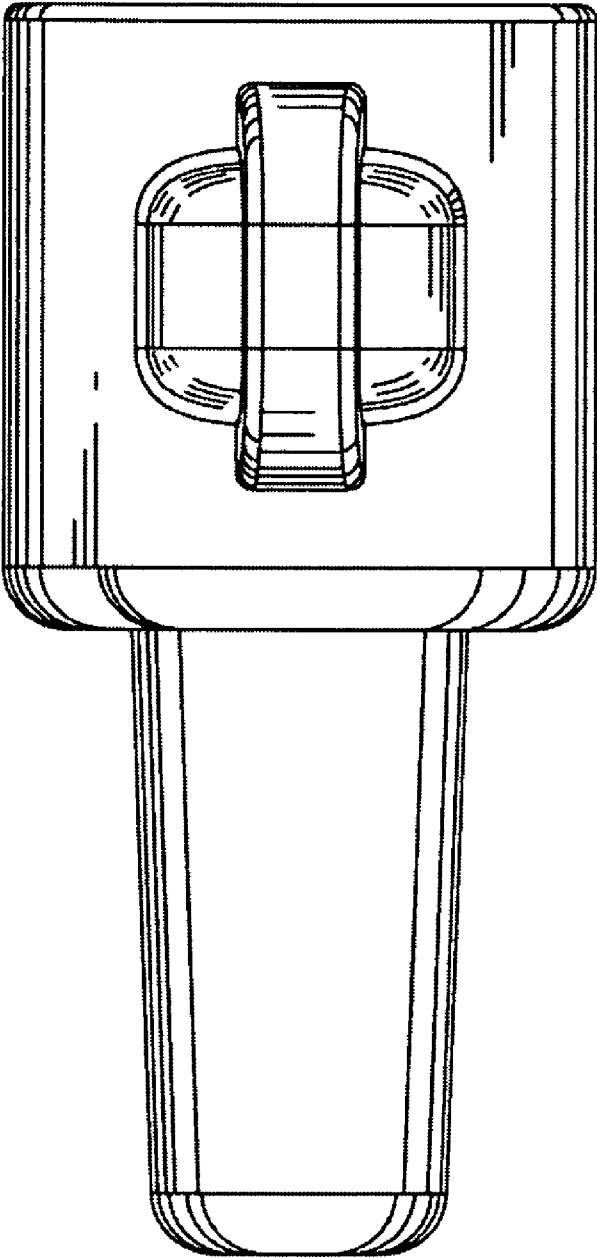


FIG. 7