



US00D617824S

(12) **United States Design Patent**
Olien

(10) **Patent No.:** **US D617,824 S**
(45) **Date of Patent:** **** Jun. 15, 2010**

(54) **POST MOUNTING DEVICE**

(57) **CLAIM**

(76) Inventor: **Michael A. Olien**, 17431 Sweet Song Dr., Tomball, TX (US) 77377

The ornamental design for a post mounting device, as shown and described.

(**) Term: **14 Years**

DESCRIPTION

(21) Appl. No.: **29/336,313**

FIG. 1 is a front perspective view of a post mounting device showing my new design, wherein the features shown in broken lines depict environmental subject matter only and form no part of the claimed design;

(22) Filed: **Apr. 30, 2009**

FIG. 2 is a front elevational view of the same, wherein the features shown in broken lines depict environmental subject matter only and form no part of the claimed design;

(51) **LOC (9) Cl.** **16-05**

(52) **U.S. Cl.** **D16/242; D6/495; D6/496**

(58) **Field of Classification Search** D6/491, D6/495, 496; D16/242, 244, 245; 248/176.1, 248/177.1, 178.1, 187.1; 352/343; 396/329, 396/419, 427, 428

FIG. 3 is a back elevational view of the same, wherein the features shown in broken lines depict environmental subject matter only and form no part of the claimed design;

See application file for complete search history.

FIG. 4 is a right side elevational view of the same, wherein the features shown in broken lines depict environmental subject matter only and form no part of the claimed design;

(56) **References Cited**

U.S. PATENT DOCUMENTS

1,463,446	A *	7/1923	Snowden	396/428
2,336,104	A *	12/1943	Laube et al.	248/178.1
D226,135	S *	1/1973	Horn	D16/242
4,687,170	A	8/1987	Beaver	
5,289,091	A *	2/1994	Wada	396/427
D419,005	S *	1/2000	McDiarmid	D6/495
D447,365	S *	9/2001	Chi	D6/495
D564,010	S *	3/2008	Dordick	D16/242
7,440,027	B2	10/2008	Weaver	
2003/0128975	A1*	7/2003	Shevick	396/428
2005/0265711	A1	12/2005	Heibel	
2008/0107413	A1	5/2008	Moore	

FIG. 5 is a left side elevational view of the same;

FIG. 6 is a top plan view of the same, wherein the features shown in broken lines depict environmental subject matter only and form no part of the claimed design;

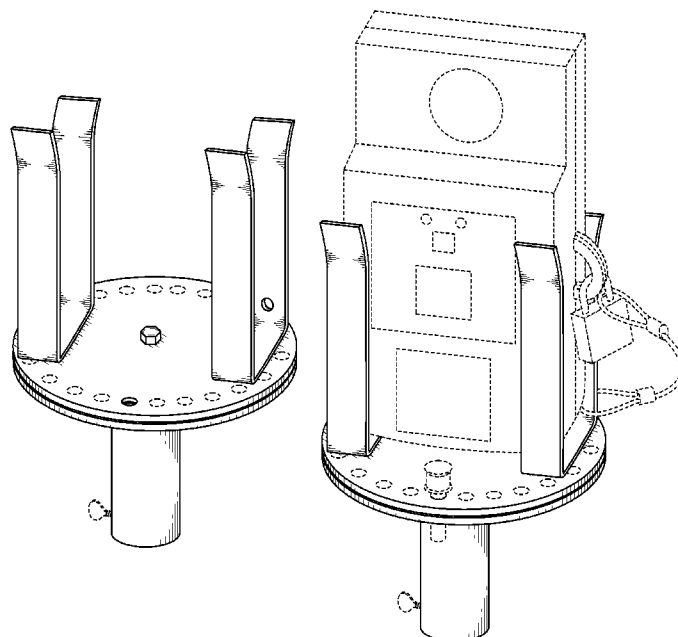
* cited by examiner

FIG. 7 is a bottom plan view of the same, wherein the features shown in broken lines depict environmental subject matter only and form no part of the claimed design; and,

FIG. 8 is a front perspective view of the post mounting device wherein the features shown in broken lines depict environmental subject matter only and form no part of the claimed design.

Primary Examiner—Adir Aronovich
(74) *Attorney, Agent, or Firm*—John K. Buche; Scott Compton; Buche & Associates, P.C.

1 Claim, 5 Drawing Sheets



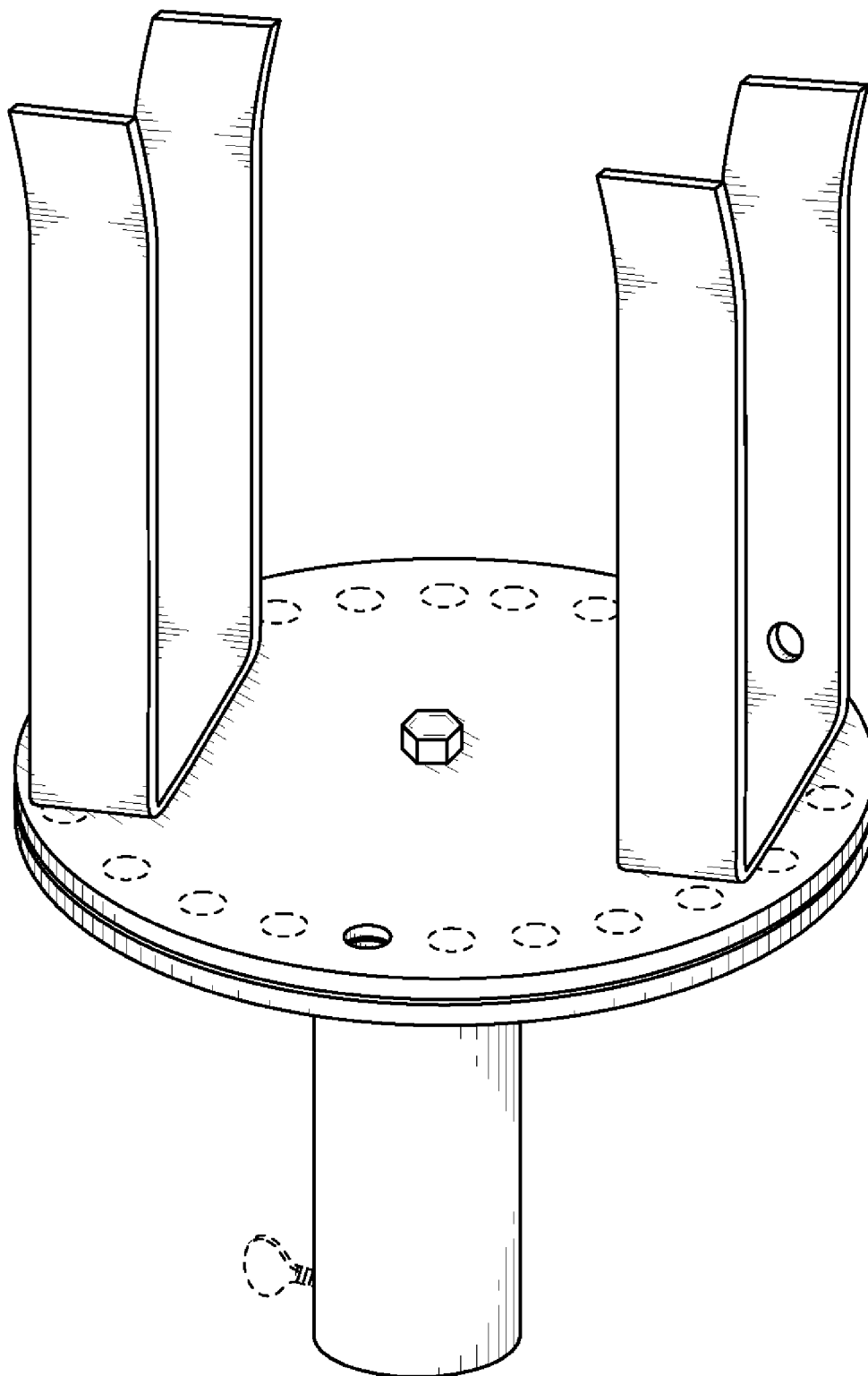


FIG. 1

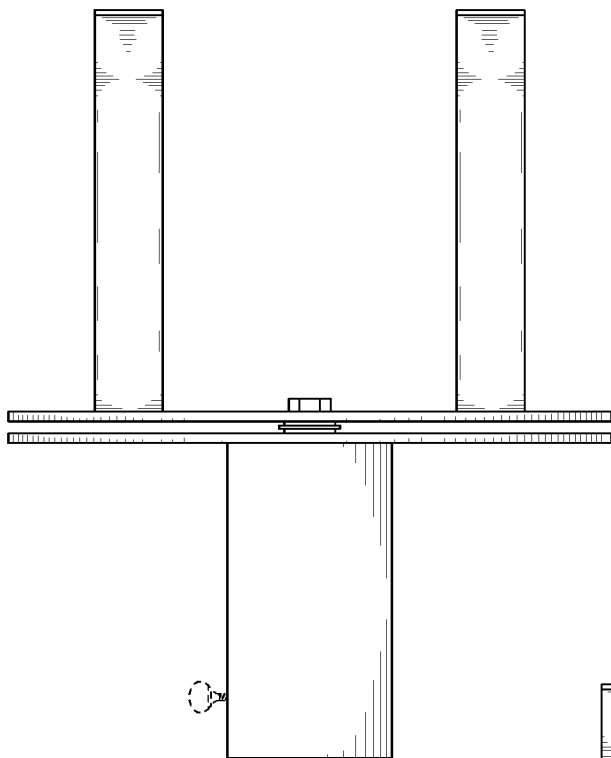


FIG. 2

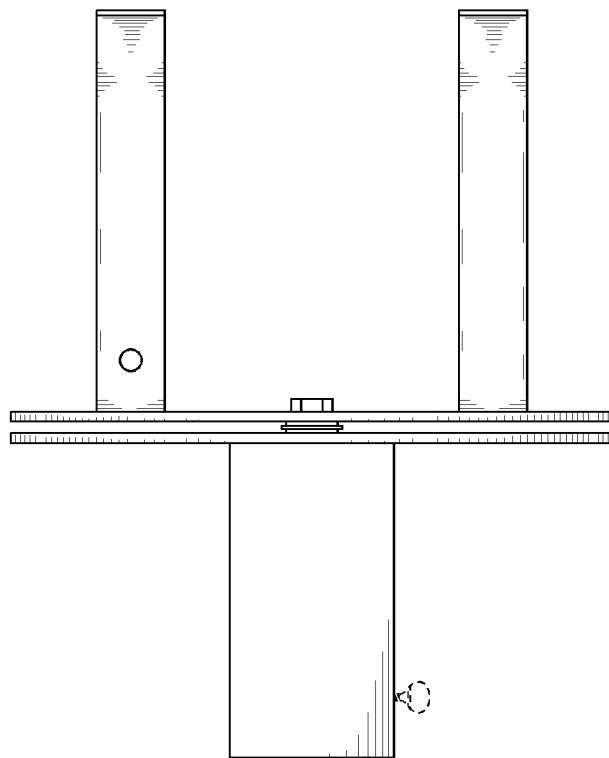


FIG. 3

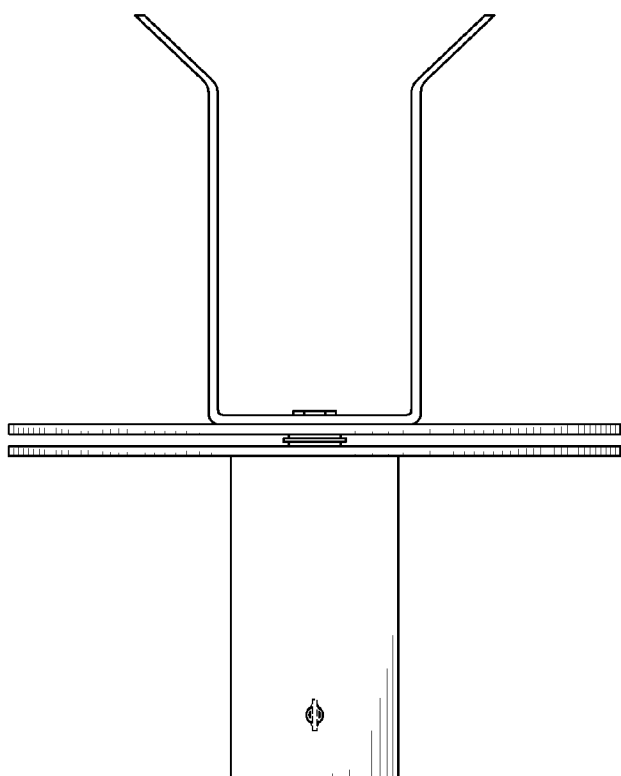


FIG. 4

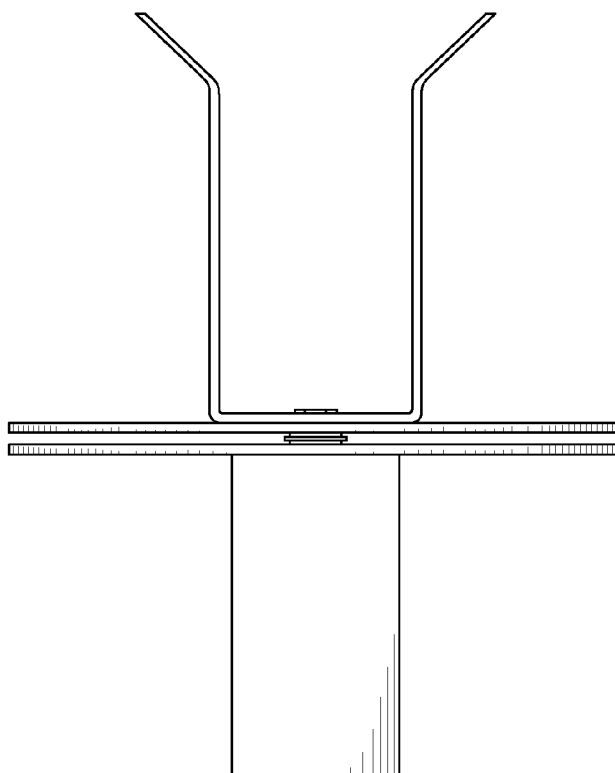


FIG. 5

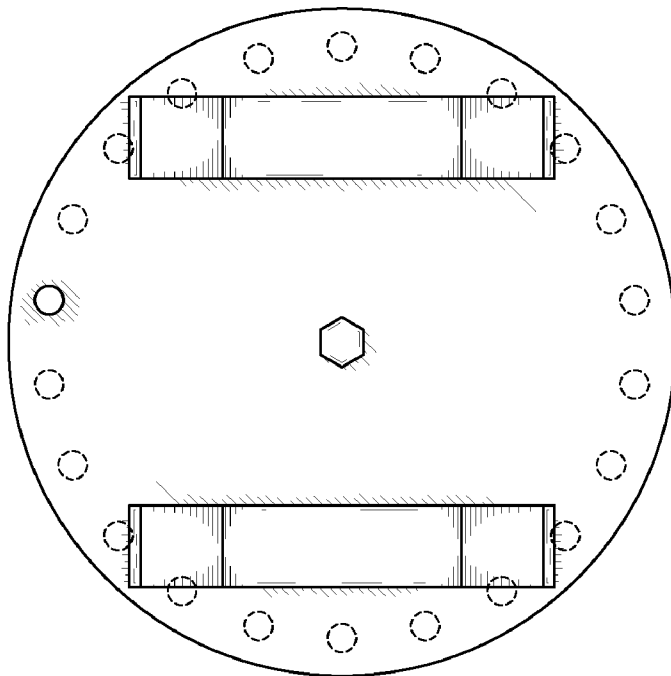


FIG. 6

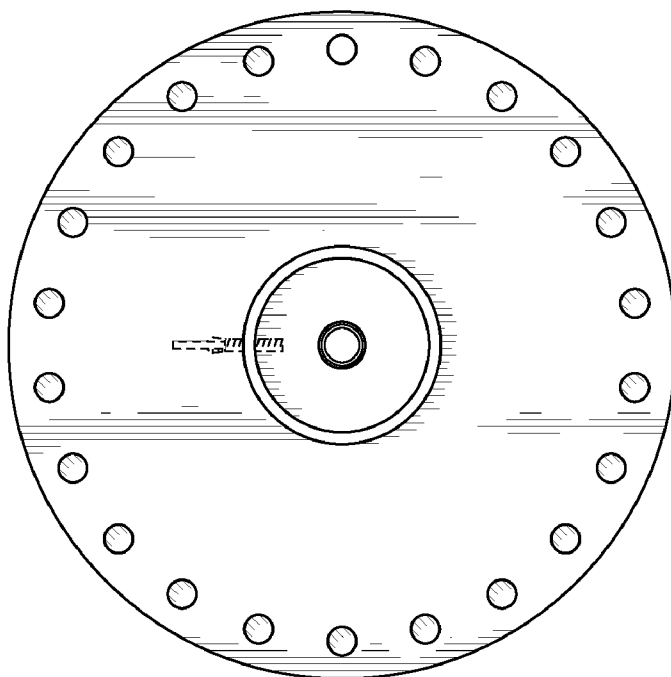


FIG. 7

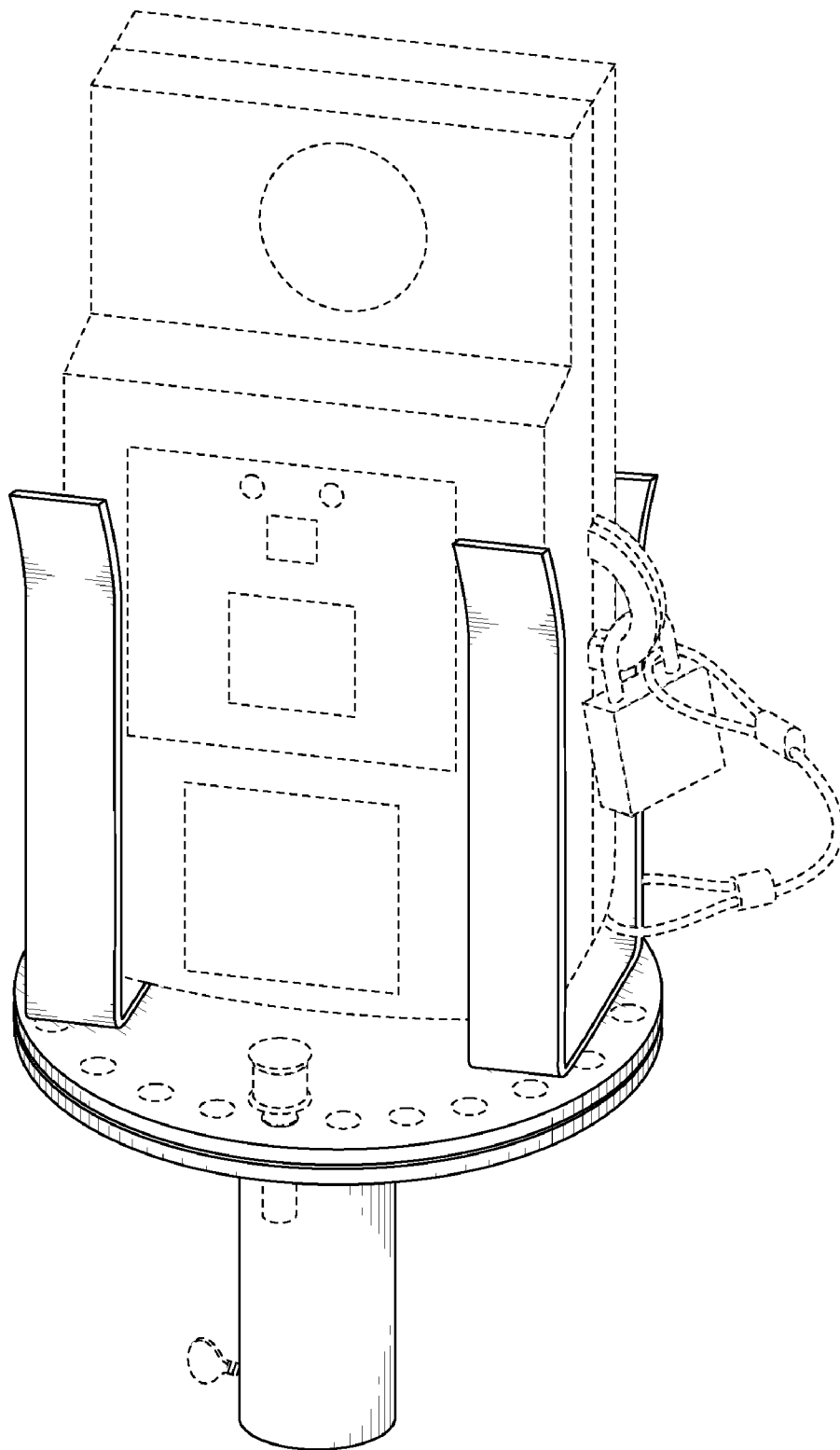


FIG. 8