



US00D637894S

(12) **United States Design Patent**
Maurer

(10) **Patent No.:** **US D637,894 S**

(45) **Date of Patent:** **** May 17, 2011**

(54) **FLEXIBLE MOUNT**

(76) Inventor: **Jason Maurer**, Frederickburg, TX (US)

(**) Term: **14 Years**

(21) Appl. No.: **29/361,568**

(22) Filed: **May 12, 2010**

(51) **LOC (9) Cl.** **08-05**

(52) **U.S. Cl.** **D8/373**

(58) **Field of Classification Search** D8/373,
D8/370; 248/309.1, 301-304, 339, 235,
248/237, 245, 247

See application file for complete search history.

(56) **References Cited**

U.S. PATENT DOCUMENTS

2,510,198	A	6/1950	Tesmer	
4,325,529	A	4/1982	Seebinger	
D363,945	S	11/1995	LaBree	
5,497,214	A	3/1996	Labree	
5,649,257	A	7/1997	Kempka	
5,664,750	A	9/1997	Cohen	
5,669,592	A	9/1997	Kearful	
6,021,984	A	2/2000	Mills	
6,623,182	B2	9/2003	Tatera	
D536,242	S *	2/2007	DeBiasio, Jr.	D8/370
D543,442	S *	5/2007	Shea	D8/370
2004/0211868	A1	10/2004	Holmes et al.	
2005/0151042	A1	7/2005	Watson	
2006/0197001	A1	9/2006	Parker	

2008/0001057 A1 1/2008 Holmberg
2008/0099655 A1 5/2008 Goodman
2008/0251662 A1 10/2008 Desorbo
2009/0010637 A1 1/2009 DeWitt

* cited by examiner

Primary Examiner — Holly H Baynham

(74) *Attorney, Agent, or Firm* — John K. Buche; Buche & Associates, P.C.

(57) **CLAIM**

The ornamental design for a flexible mount, as shown and described.

DESCRIPTION

FIG. 1 is a front perspective view of a flexible mount showing my new design;

FIG. 2 is a right side elevational view of the flexible mount, the right and left sides being mirror images of one another;

FIG. 3 is a front elevational view of the flexible mount;

FIG. 4 is a rear elevational view of the flexible mount;

FIG. 5 is a top view of the flexible mount;

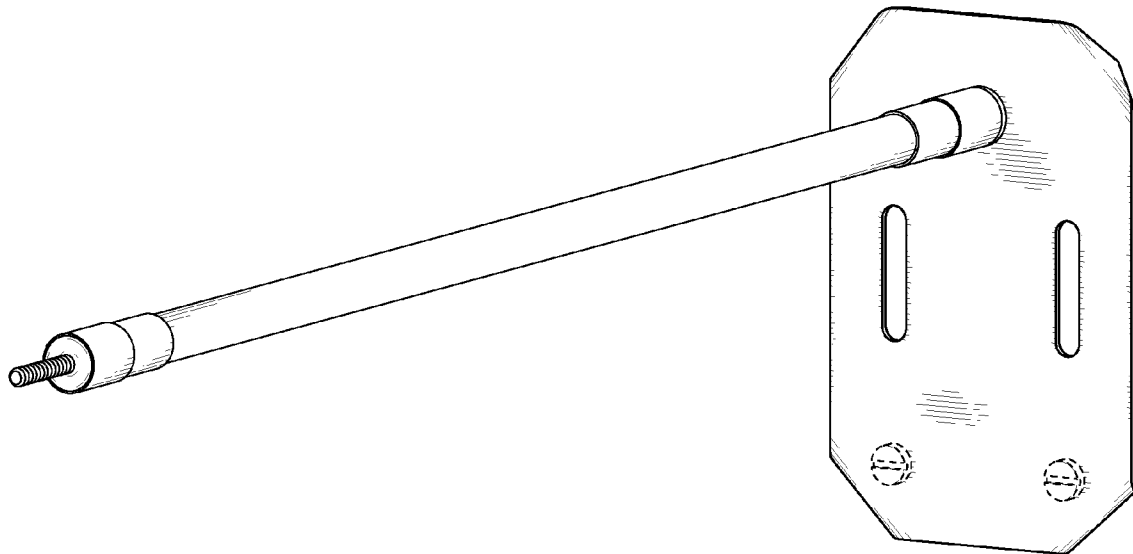
FIG. 6 is a bottom view of the flexible mount;

FIG. 7 is a front perspective view of the flexible mount; and,

FIG. 8 is a rear perspective view of the flexible mount.

The broken line showing of a trail camera, L-bracket, pouch, strap, tree trunk and parts of the mount is included for the purpose of illustrating environment and forms no part of the claimed design.

1 Claim, 3 Drawing Sheets



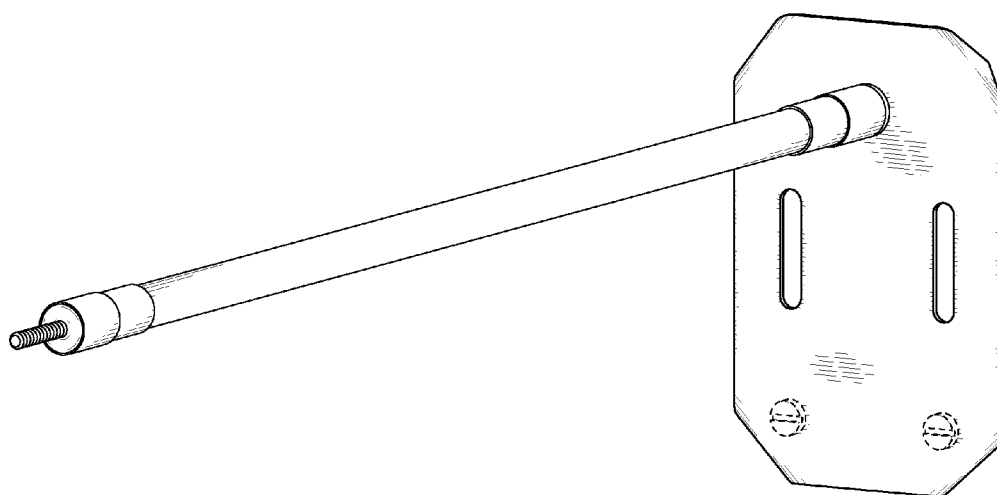


FIG. 1

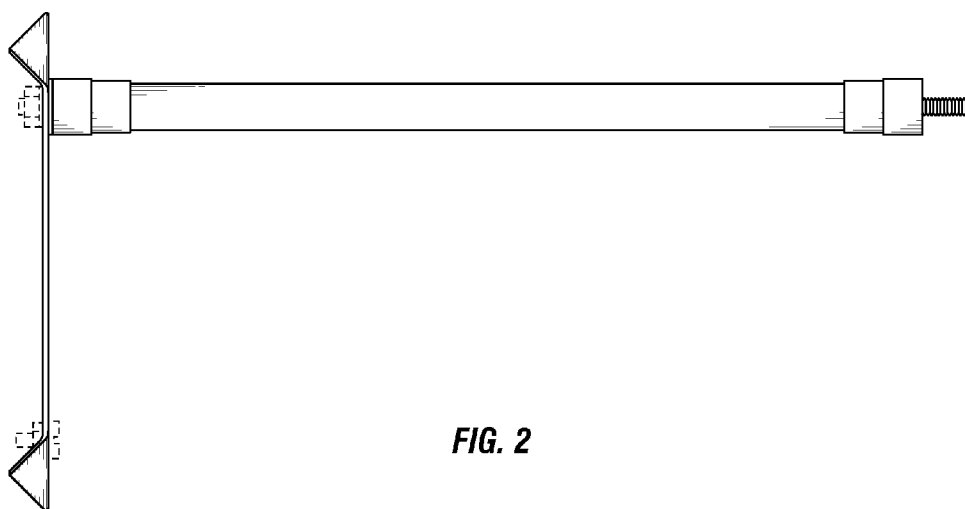


FIG. 2

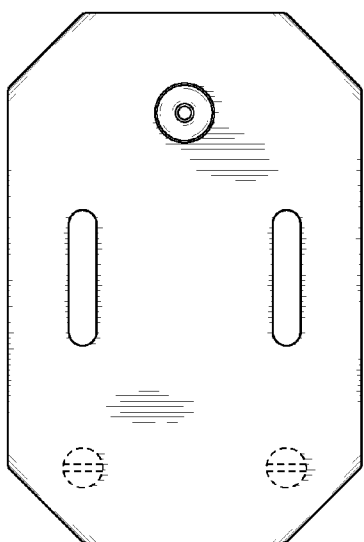


FIG. 3

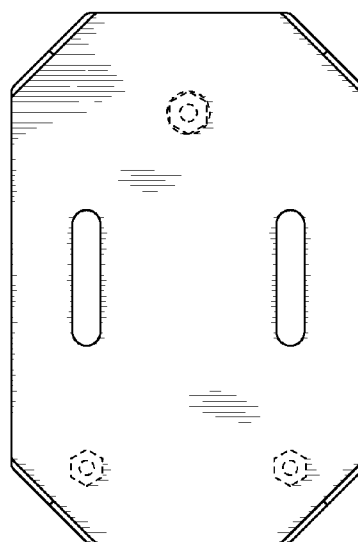


FIG. 4

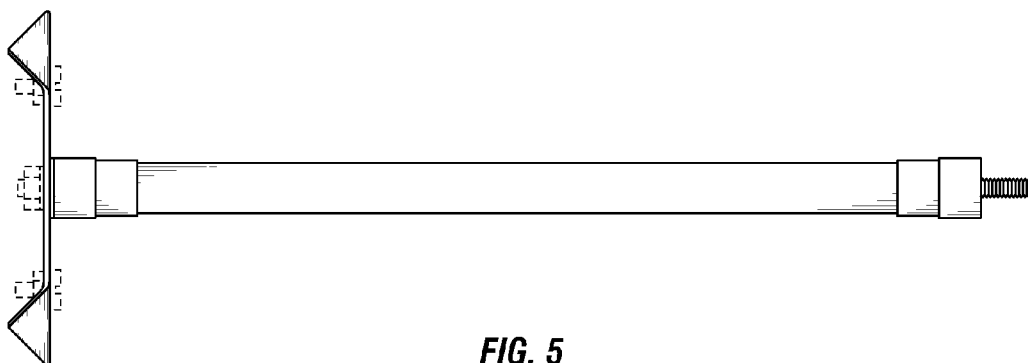


FIG. 5

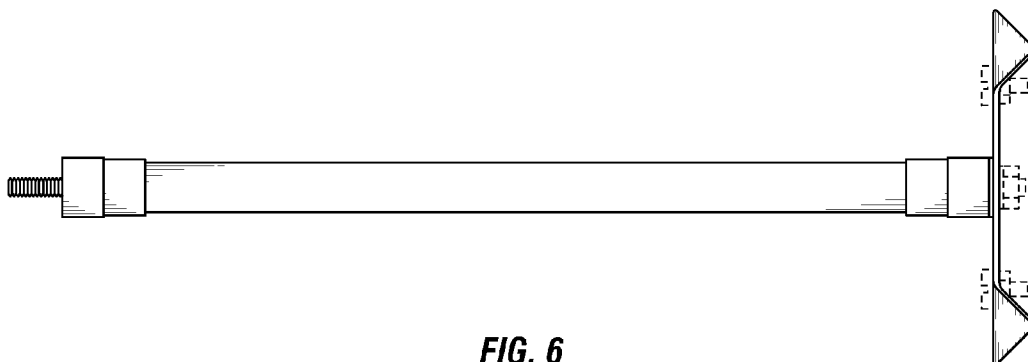


FIG. 6

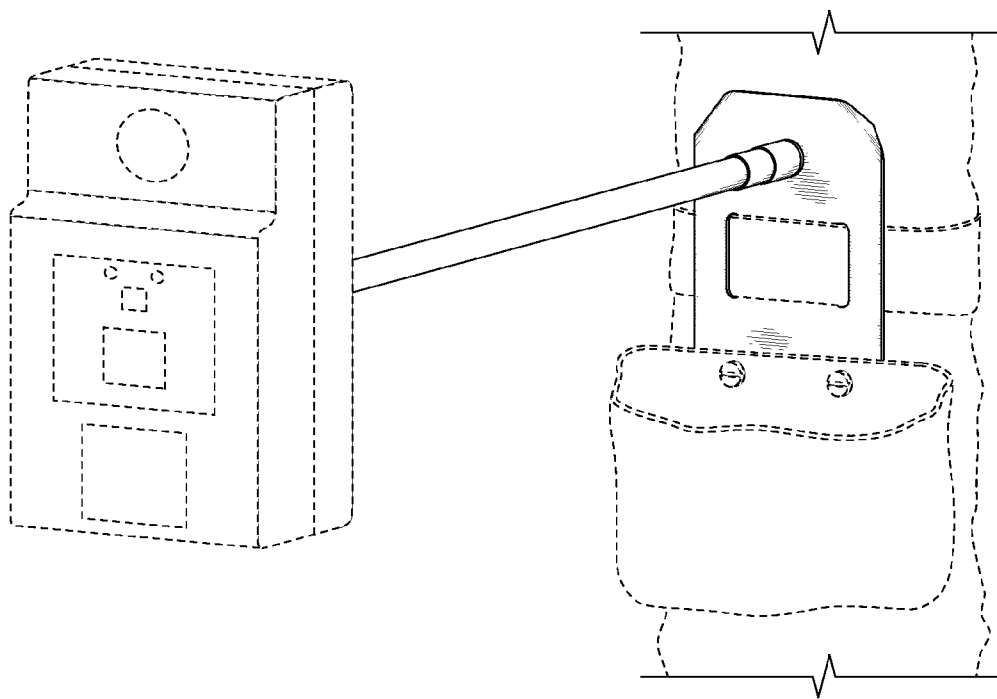


FIG. 7

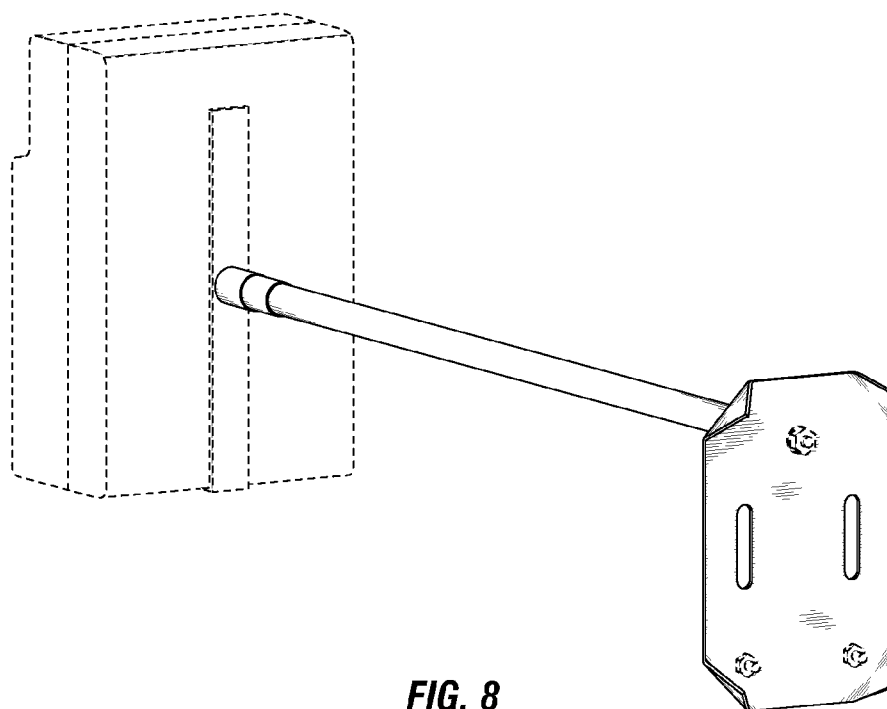


FIG. 8