



US00D638548S

(12) **United States Design Patent**  
**Le et al.**

(10) **Patent No.:** **US D638,548 S**

(45) **Date of Patent:** **\*\* May 24, 2011**

(54) **PEDICURE SPA**

(76) Inventors: **Frederick Le**, Orlando, FL (US);  
**Catherine Le**, Orlando, FL (US)

(\*\*) Term: **14 Years**

(21) Appl. No.: **29/361,923**

(22) Filed: **May 17, 2010**

(51) **LOC (9) Cl.** ..... **24-04**

(52) **U.S. Cl.** ..... **D24/204**

(58) **Field of Classification Search** ..... D24/200–205,  
D24/212, 213; D28/56, 61; D6/336, 495;  
601/6, 15, 64, 157–158, 30–32; 607/44;  
4/622, 574.1; D21/424, 433, 548, 833

See application file for complete search history.

(56) **References Cited**

**U.S. PATENT DOCUMENTS**

D322,001 S *	12/1991	Meeker	.....	D6/495
D347,528 S *	6/1994	Lee	.....	D21/433
D353,413 S *	12/1994	Hamlin	.....	D21/433
D439,934 S *	4/2001	Wang	.....	D21/433
D457,018 S	5/2002	Park		
6,775,861 B1 *	8/2004	Devereaux et al.	.....	4/541.1
D547,393 S *	7/2007	Johnson et al.	.....	D21/433
D549,876 S *	8/2007	Le	.....	D28/56
D550,402 S *	9/2007	Nguyen	.....	D28/56
D560,310 S *	1/2008	Le	.....	D28/56
D561,903 S	2/2008	Mai et al.		
D569,986 S *	5/2008	Ton	.....	D24/204
D571,018 S	6/2008	Ton et al.		
D571,961 S	6/2008	Nguyen		
D574,502 S	8/2008	Ton		
D588,707 S	3/2009	Mai et al.		
D592,312 S *	5/2009	Cheng	.....	D24/204
D608,454 S	1/2010	Mai et al.		

D611,998 S *	3/2010	Pucci	.....	D21/433
D614,306 S	4/2010	Mai		
D622,328 S *	8/2010	Giannini	.....	D21/433

**OTHER PUBLICATIONS**

T4 Concepts & Designs, LLC, Product Catalog, 2007, pp. 16-17, T4  
Concepts & Designs, LLC, Baton Rouge, LA, USA.

Mai, U.S. Appl. No. 29/327,395.

\* cited by examiner

*Primary Examiner* — T. Chase Nelson

*Assistant Examiner* — David G Muller

(74) *Attorney, Agent, or Firm* — John K. Buche; Buche &  
Assoc, P.C.

(57) **CLAIM**

The ornamental design for a pedicure spa, as shown and  
described.

**DESCRIPTION**

FIG. 1 is a front perspective view of a pedicure spa showing  
our new design;

FIG. 2 is a left side elevation view thereof;

FIG. 3 is a right side elevation view thereof;

FIG. 4 is a front elevation view thereof;

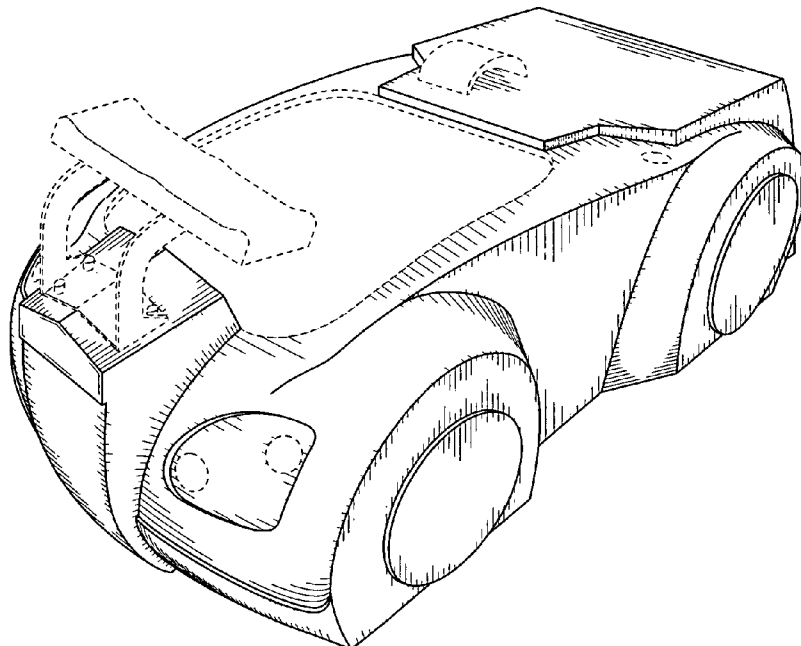
FIG. 5 is a rear elevation view thereof;

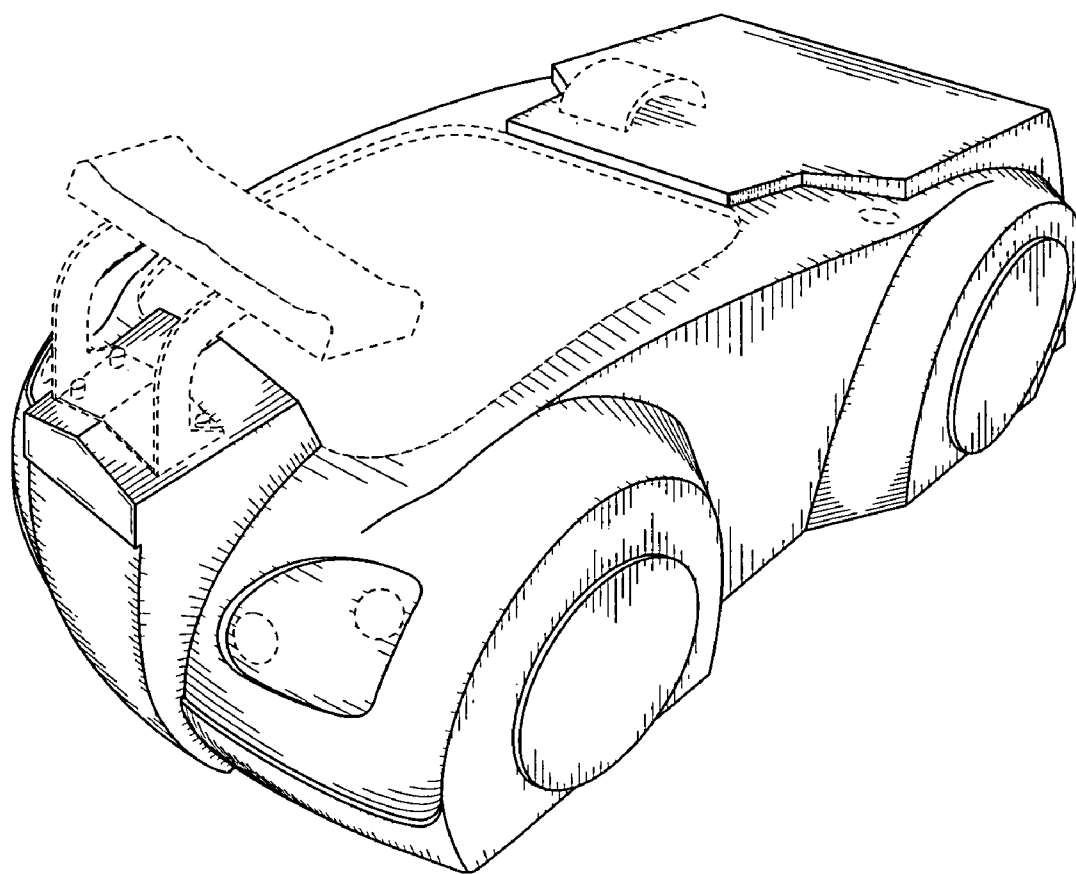
FIG. 6 is a top plan view thereof; and,

FIG. 7 is a front perspective view of the pedicure spa includ-  
ing a sink attached thereto, the sink being shown in broken  
lines.

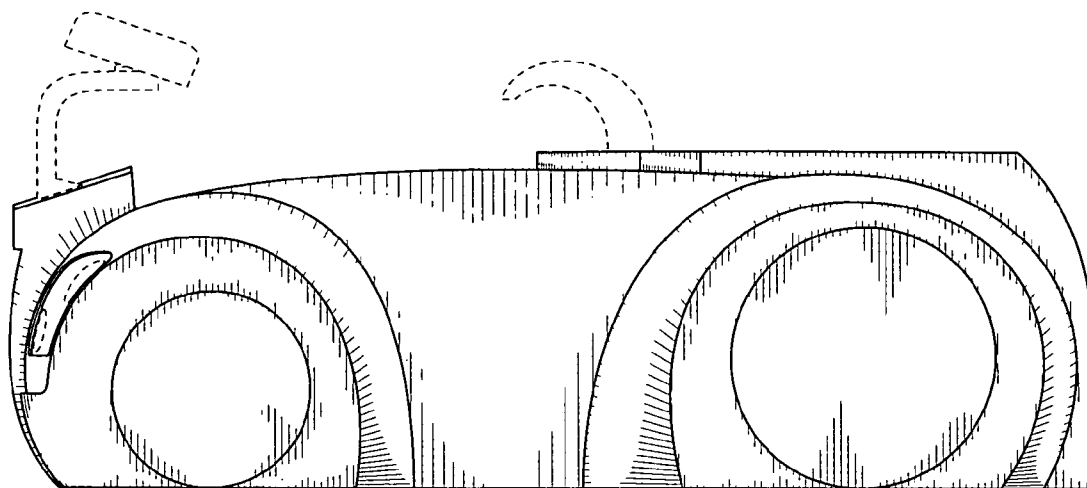
The broken line showing of parts of the drawings is included  
for the purpose of illustrating use and environment and forms  
no part of the claimed design.

**1 Claim, 5 Drawing Sheets**

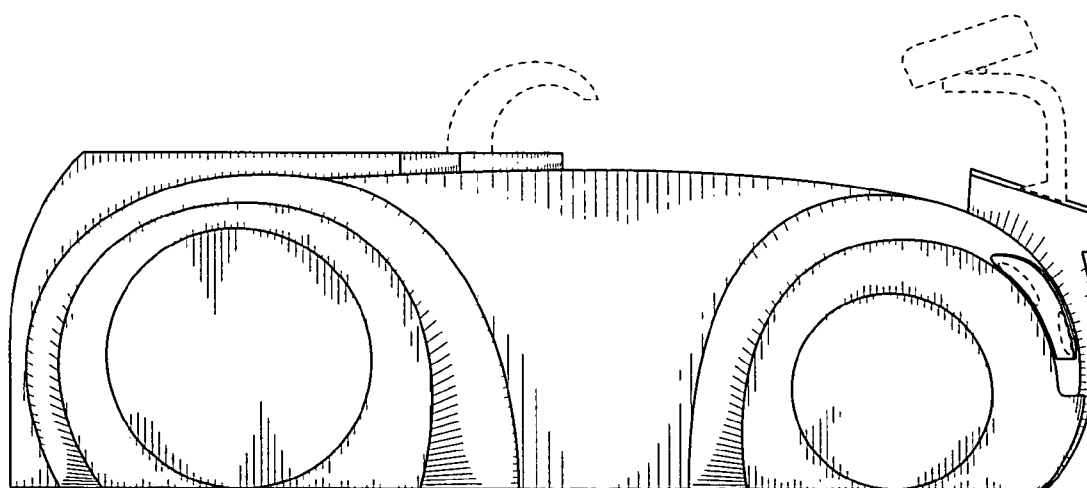




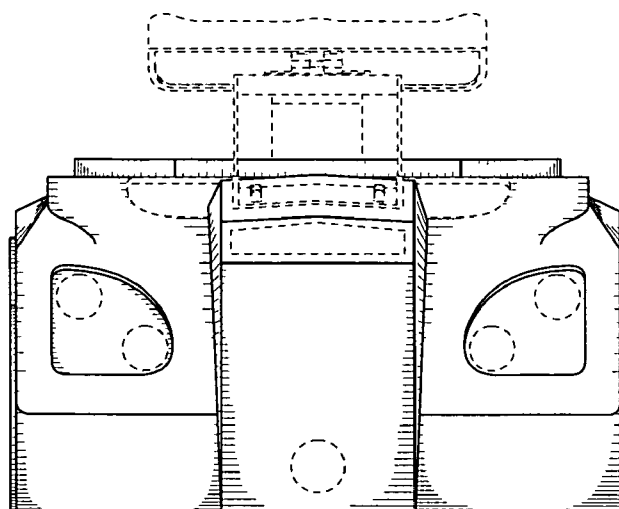
**FIG. 1**



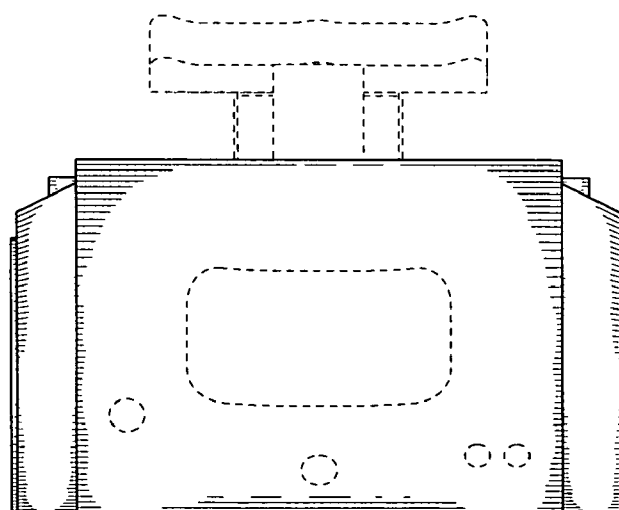
**FIG. 2**



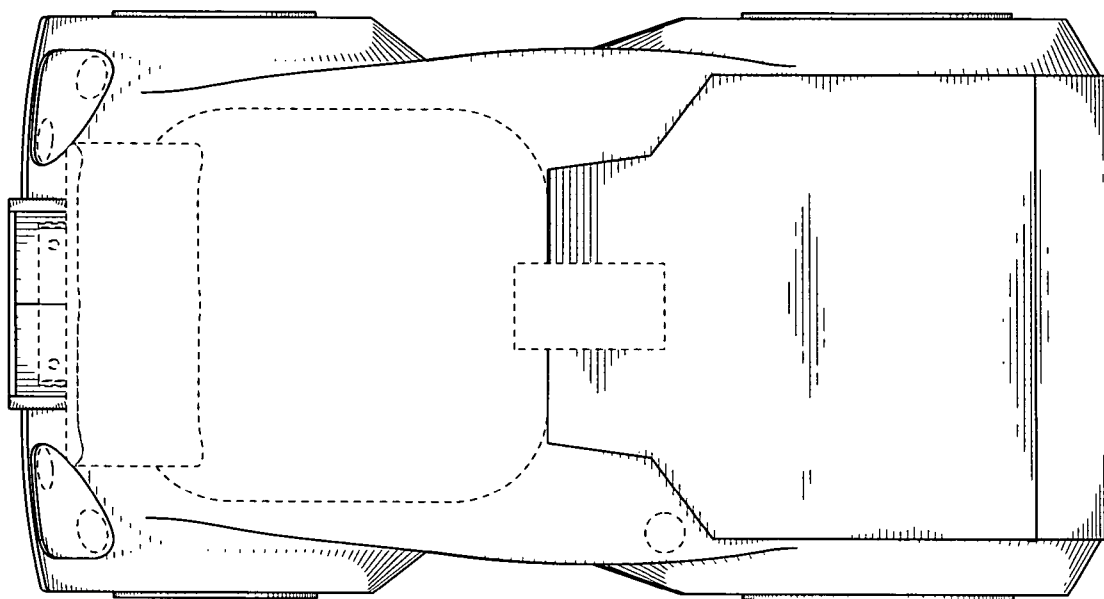
**FIG. 3**



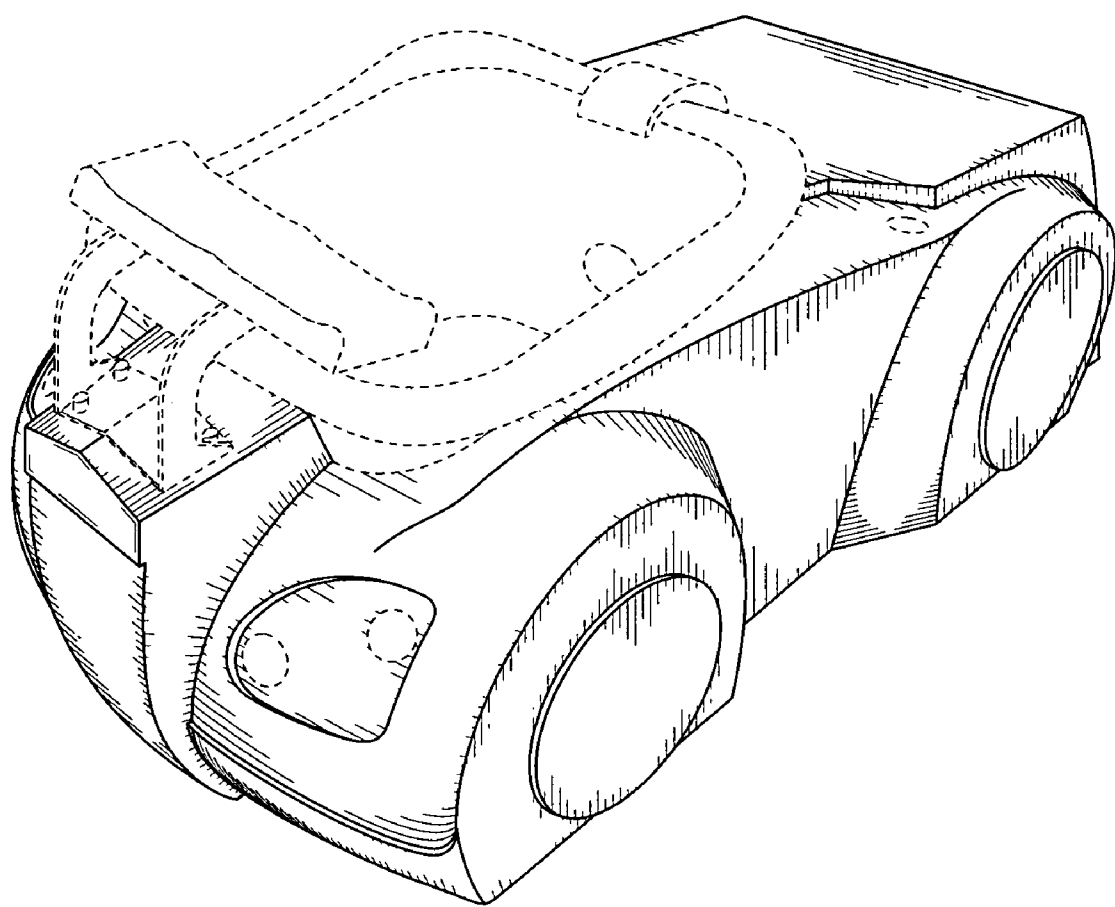
**FIG. 4**



**FIG. 5**



**FIG. 6**



**FIG. 7**