



US00D640907S

(12) **United States Design Patent**
Underhile

(10) **Patent No.:** **US D640,907 S**
(45) **Date of Patent:** **** Jul. 5, 2011**

(54) **BLADE**
(76) Inventor: **Frank D Underhile**, Houston, TX (US)
(**) Term: **14 Years**
(21) Appl. No.: **29/366,028**
(22) Filed: **Jul. 19, 2010**
(51) **LOC (9) Cl.** **08-03**
(52) **U.S. Cl.** **D8/20**
(58) **Field of Classification Search** D8/16,
D8/18-20, 64, 95-104; D22/118, 117; D24/146;
7/148, 118; 30/142, 144, 165, 166.3, 272.1,
30/314, 320, 346, 346.5, 346.55, 346.56,
30/349, 351, 355-357
See application file for complete search history.

D242,980 S 1/1977 Fuller
4,348,807 A 9/1982 Ashdown
4,483,068 A 11/1984 Clifford
4,574,431 A 3/1986 Colling
4,630,367 A 12/1986 Pressman
4,729,167 A * 3/1988 De Rose D8/98
D300,715 S 4/1989 Ragoonath
4,916,816 A 4/1990 Richman
4,920,645 A 5/1990 Baudouin
5,103,564 A 4/1992 MacDonald
5,107,593 A 4/1992 Hutchins
D355,345 S 2/1995 Drust
D358,643 S * 5/1995 Knepshield et al. D24/146
5,579,581 A 12/1996 Melton
5,581,834 A 12/1996 Collins
5,720,105 A 2/1998 Gates
D400,067 S * 10/1998 Gold D8/20
D400,412 S 11/1998 Gold
D405,667 S * 2/1999 Rivera D8/20

(Continued)

(56) **References Cited**

U.S. PATENT DOCUMENTS

432,770 A 7/1890 Schlieff
D54,277 S * 12/1919 Michaels D7/695
1,345,637 A 7/1920 Sarkozy
1,423,843 A 7/1922 Eshelman
1,608,813 A 11/1926 Richter
1,636,287 A 7/1927 Clawson
1,667,596 A 4/1928 Kapota
2,046,334 A 7/1936 Loeber
2,054,480 A 9/1936 Leitshuh
2,083,368 A 6/1937 Gambino
2,173,751 A 9/1939 Burkhart
2,182,710 A 12/1939 Tamke
2,232,940 A 2/1940 Fender
2,322,744 A 6/1943 Benjamin
2,362,896 A 11/1944 Gamache
2,961,766 A 11/1960 Maynard
3,009,245 A 11/1961 Senkewitz
3,169,316 A 2/1965 Johnston
3,299,510 A 1/1967 Taormina
3,465,437 A 9/1969 Brown
3,889,368 A 6/1975 Himeno
3,956,825 A 5/1976 Ness

Primary Examiner — Garth Rademaker

(74) *Attorney, Agent, or Firm* — Buche & Associates; John K. Buche

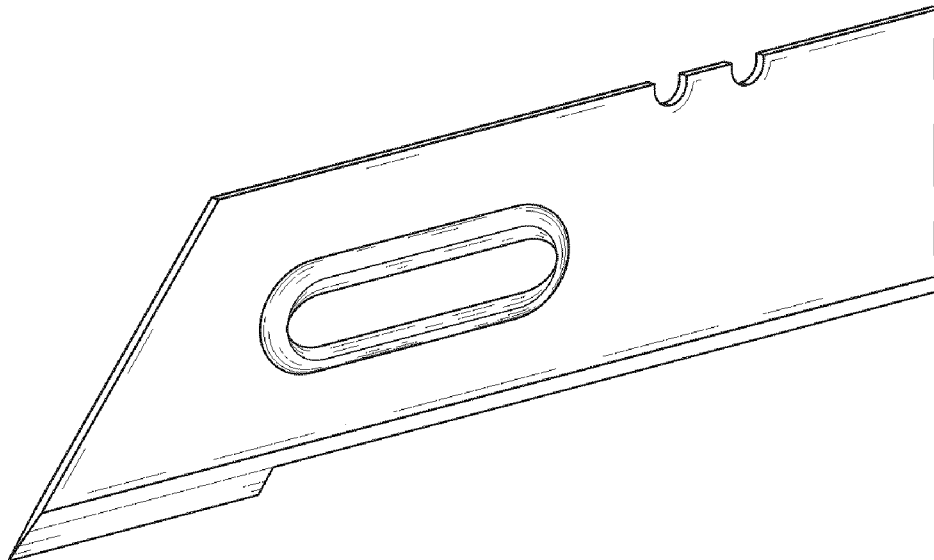
(57) **CLAIM**

The ornamental design for a blade, as shown and described.

DESCRIPTION

FIG. 1 is a perspective view of a blade showing my new design;
FIG. 2 is a left side view of the same;
FIG. 3 is a right side view of the same;
FIG. 4 is a top view of the same;
FIG. 5 is a bottom view of the same;
FIG. 6 is a front view of the same;
FIG. 7 is a back view of the same; and,
FIG. 8 is a perspective view of the same, showing the design in an environment of use, wherein the environment is shown in broken line and forms no part of the claimed design.

1 Claim, 2 Drawing Sheets



US D640,907 S

Page 2

U.S. PATENT DOCUMENTS							
5,875,551	A	3/1999	Huang	7,127,820	B2	10/2006	Miller
D422,185	S *	4/2000	Gold	7,194,809	B2	3/2007	Skruzak
6,148,522	A	11/2000	Dobandi	D558,540	S	1/2008	White
6,336,271	B1	1/2002	Rider	7,421,787	B2	9/2008	White
6,510,611	B2	1/2003	Edwards	7,681,317	B2	3/2010	Fagan
D493,340	S *	7/2004	Pyatt	D624,185	S *	9/2010	McGinley
6,823,593	B2	11/2004	Dunn-Rankin	2003/0070298	A1	4/2003	Ruiz
6,874,236	B2	4/2005	Levien	2004/0216307	A1	11/2004	Bitonto
6,895,674	B2	5/2005	Ai	2007/0119058	A1	5/2007	Ho
7,065,882	B2	6/2006	Haberstroh	2009/0199414	A1	8/2009	Ramos

* cited by examiner

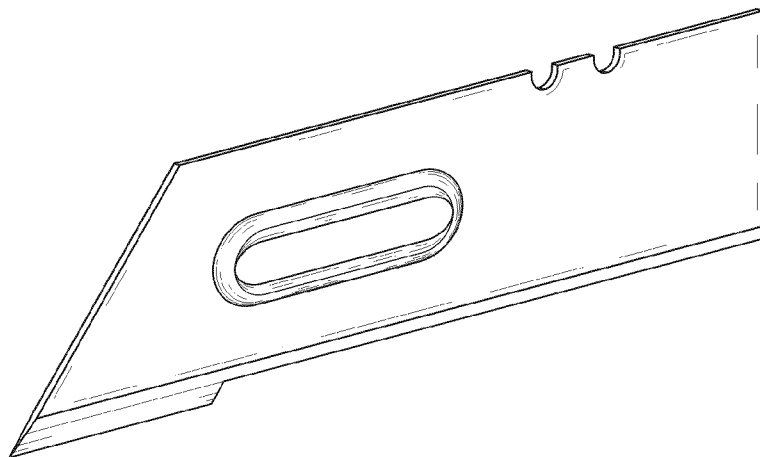


FIG. 1

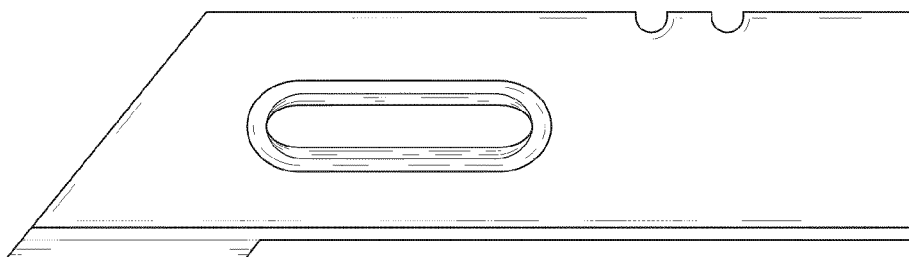


FIG. 2

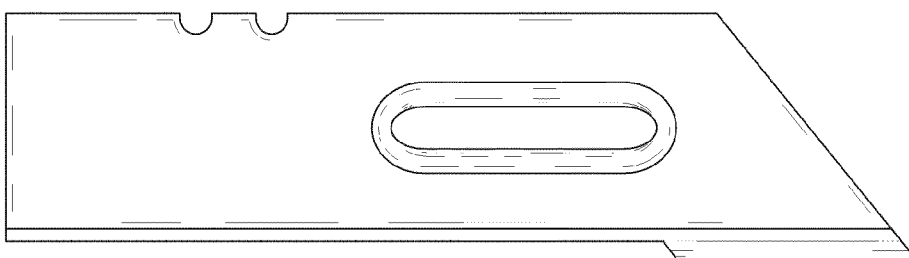


FIG. 3

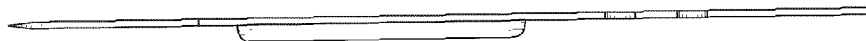


FIG. 4

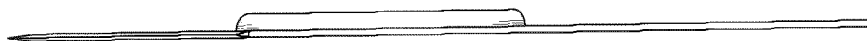


FIG. 5

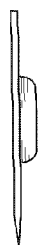


FIG. 6



FIG. 7

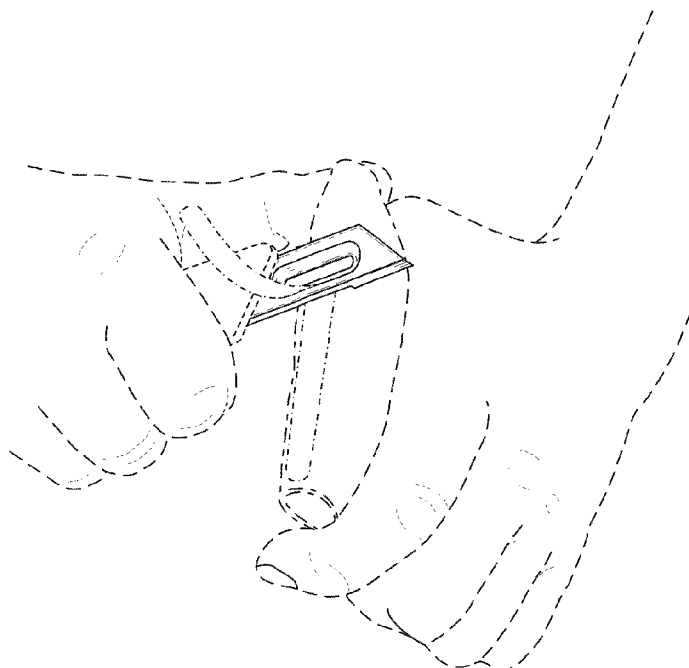


FIG. 8