



US00D652800S

(12) **United States Design Patent**
Liang-Hsu et al.

(10) **Patent No.:** **US D652,800 S**
(45) **Date of Patent:** **** Jan. 24, 2012**

- (54) **PLUG WITH A PULL RING**
- (76) Inventors: **Kuo Liang-Hsu**, New Taipei (TW);
Susan James, Pomona, CA (US); **Zheng Wei**, Dongguan (CN)
- (**) Term: **14 Years**
- (21) Appl. No.: **29/391,329**
- (22) Filed: **May 6, 2011**
- (51) **LOC (9) Cl.** **13-03**
- (52) **U.S. Cl.** **D13/138.2**
- (58) **Field of Classification Search** D13/138.1,
D13/138.2, 139.1–139.8, 137.1–137.4, 133,
D13/107, 108, 110, 146, 147, 154, 174, 177;
D8/353, 350; 363/15, 34, 146; 439/93, 105,
439/106, 535, 620.15, 620.21, 620.3, 620.31,
439/907, 908, 919, 650, 651, 652, 653, 654,
439/655, 692; 174/494, 53, 55, 59, 66; 320/111,
320/114, 115; 307/150, 151
See application file for complete search history.

- 3,431,535 A 3/1969 Munyon
- D241,649 S 9/1976 Anderson, Jr.
- D242,464 S 11/1976 Acosta
- 4,042,292 A 8/1977 Chensky
- 4,210,377 A 7/1980 La Voque
- 4,307,924 A 12/1981 Gibbs
- D270,628 S 9/1983 Bobrovniczky
- D294,018 S 2/1988 Poliak
- 4,778,400 A 10/1988 Jacobs
- D301,462 S 6/1989 Drew
- D348,431 S 7/1994 Hoffman et al.
- D349,276 S 8/1994 Hoffman et al.
- D355,162 S 2/1995 Karman

(Continued)

Primary Examiner — Angela J Lee

(74) *Attorney, Agent, or Firm* — John K. Buche; Buche & Associates, P.C.

(57) **CLAIM**

The ornamental design for plug with a pull ring, as shown and described.

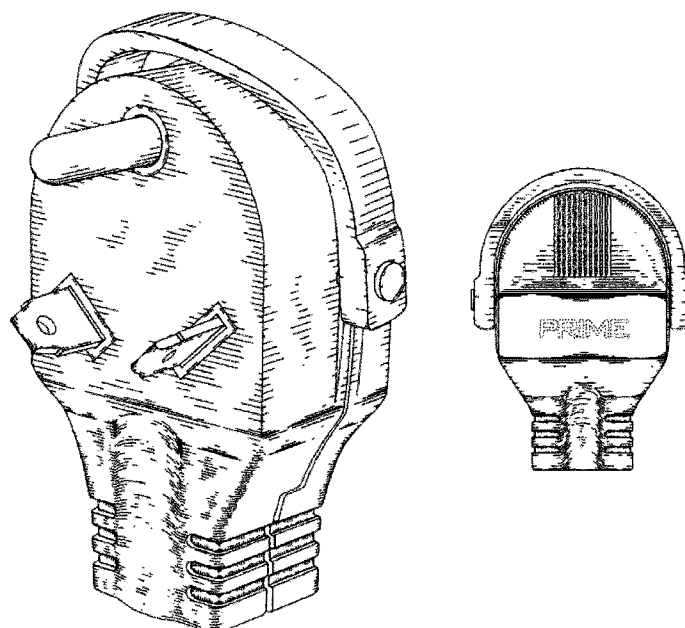
DESCRIPTION

FIG. 1 is a perspective view of a plug with a pull ring.
 FIG. 2 is a front view of the plug with a pull ring of FIG. 1.
 FIG. 3 is a back view of the plug with a pull ring of FIG. 1.
 FIG. 4 is a top view of the plug with a pull ring of FIG. 1.
 FIG. 5 is a bottom view of the plug with a pull ring of FIG. 1.
 FIG. 6 is a left side view of the plug with a pull ring of FIG. 1;
 and,
 FIG. 7 is a right side view of the plug with a pull ring of FIG. 1.

In the figures, trademarks are shown in dashed lines and do not form part of the claimed design.
 The portions of the plug with a pull ring shown in broken lines form no part of the claimed design.

1 Claim, 3 Drawing Sheets

- (56) **References Cited**
- U.S. PATENT DOCUMENTS
- 1,714,763 A 5/1929 Boysan
- 1,749,623 A 3/1930 Zinman
- D88,337 S 11/1932 Massey
- 2,030,115 A 2/1936 Muldoon
- 2,224,547 A 12/1940 Ludwig
- D148,105 S 12/1947 Gossard
- D155,149 S 9/1949 Gossard
- 2,507,092 A 5/1950 Cline
- D159,196 S 7/1950 Englar
- D179,343 S 12/1956 Gombar
- D185,163 S 5/1959 Miller
- 2,977,564 A 3/1961 Civitelli et al.
- 3,008,115 A 11/1961 Oakes
- 3,160,947 A 12/1964 Sunderlin



US D652,800 S

Page 2

U.S. PATENT DOCUMENTS

5,409,397 A	4/1995	Karman	D492,254 S	6/2004	Nakashima et al.
D360,401 S	7/1995	Chen	D511,748 S	11/2005	Caine
5,551,882 A	9/1996	Whiteman, Jr. et al.	6,986,665 B2	1/2006	Schauz et al.
5,567,181 A	10/1996	Lentz et al.	7,052,309 B1	5/2006	Chen
D375,291 S	11/1996	Cheung	7,063,558 B1	6/2006	Chen
D375,720 S	11/1996	Cheung	D537,410 S *	2/2007	Yuen D13/110
5,591,043 A	1/1997	Kenney	7,179,105 B1	2/2007	Hung
D379,964 S *	6/1997	Maddock et al. D13/138.1	D549,650 S	8/2007	Russell et al.
5,679,014 A	10/1997	Lan-Jen	D549,651 S	8/2007	Mancari et al.
5,752,850 A	5/1998	Ziegler	7,255,568 B1	8/2007	Wu
D401,556 S *	11/1998	Stekelenburg D13/138.2	D553,570 S *	10/2007	Peck D13/138.2
D404,984 S	2/1999	Skinner	D559,184 S	1/2008	Russell et al.
D405,759 S	2/1999	Carmo et al.	D562,766 S *	2/2008	Yang D13/110
D409,567 S	5/1999	Carmo et al.	D564,964 S	3/2008	Caine et al.
D413,570 S	9/1999	Intveld	D576,552 S	9/2008	Caine et al.
D421,960 S *	3/2000	Savicki et al. D13/138.2	D586,296 S *	2/2009	Liu D13/138.2
6,071,142 A	6/2000	Blackman	D592,139 S *	5/2009	Wu D13/138.2
D430,848 S	9/2000	Davi et al.	D592,141 S	5/2009	Mancari et al.
D431,027 S	9/2000	Armstrong	D594,417 S	6/2009	Ho'o et al.
D445,090 S	7/2001	Payne et al.	D602,434 S	10/2009	Mancari et al.
D467,545 S *	12/2002	Wang D13/138.1	D613,248 S	4/2010	Wu
D474,744 S	5/2003	Wu	D635,515 S *	4/2011	Atwell et al. D13/138.2
D483,723 S	12/2003	Adachi et al.	D638,359 S *	5/2011	Atwell et al. D13/138.2
D485,239 S	1/2004	Whalin et al.	2007/0032109 A1	2/2007	Hung

* cited by examiner

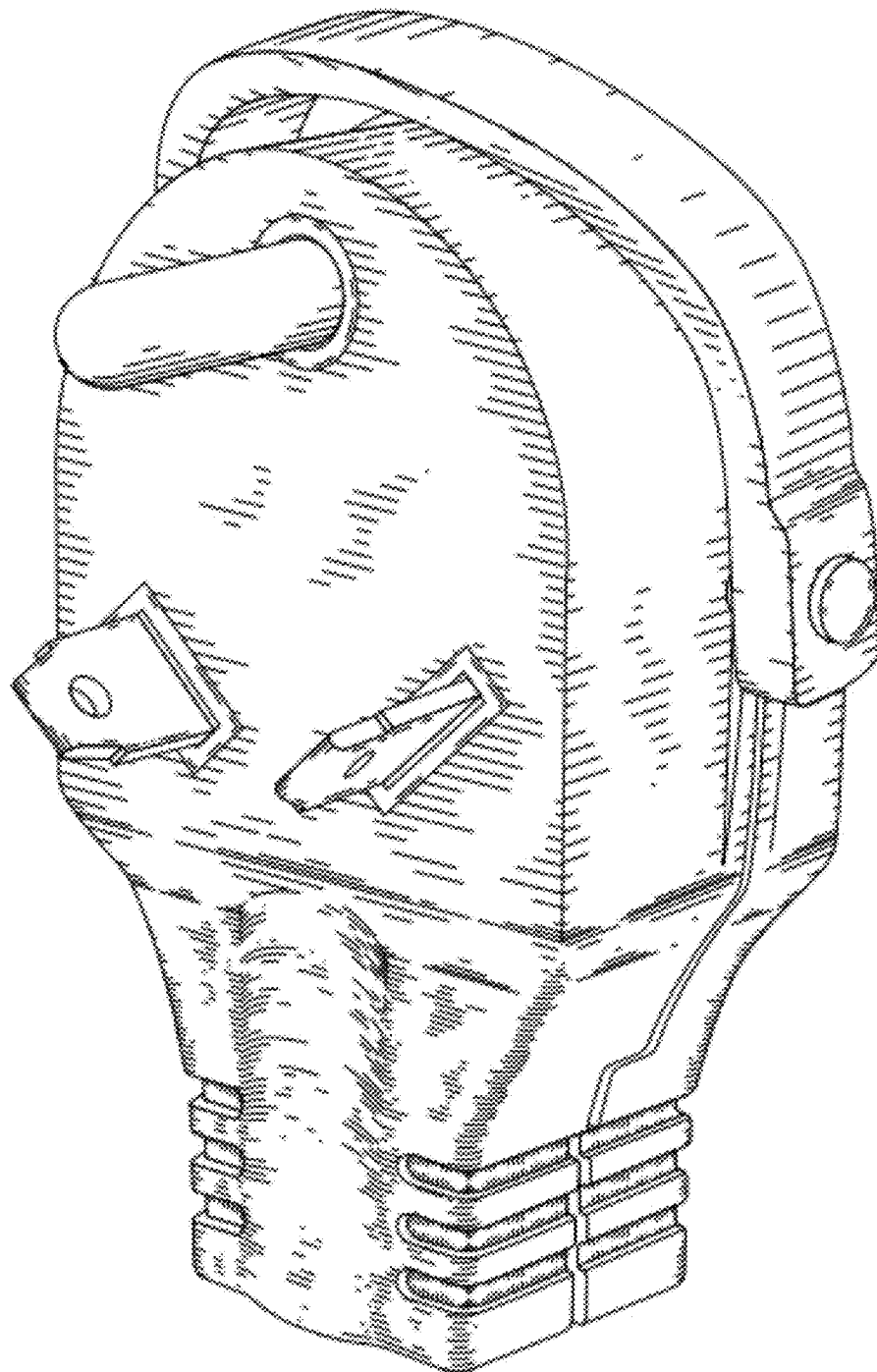


FIG. 1

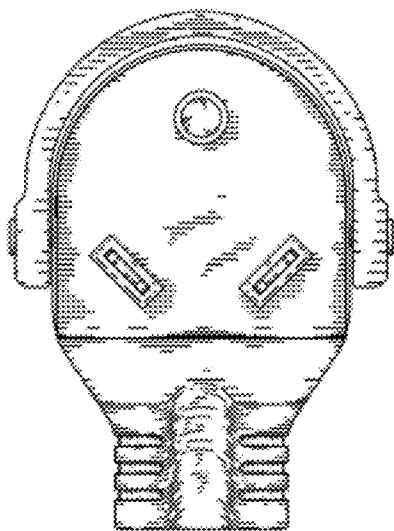


FIG. 2

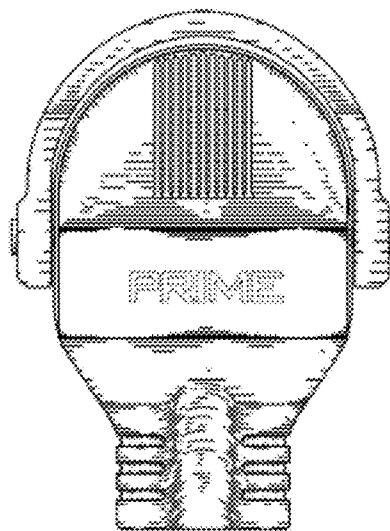


FIG. 3

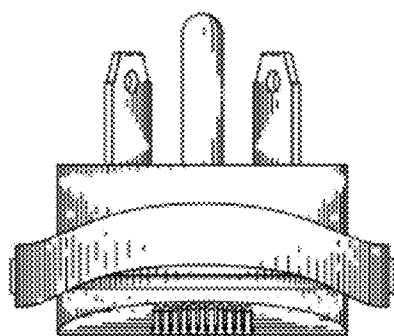


FIG. 4

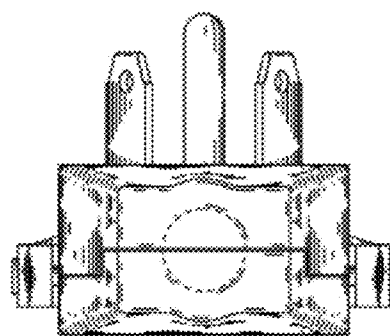


FIG. 5

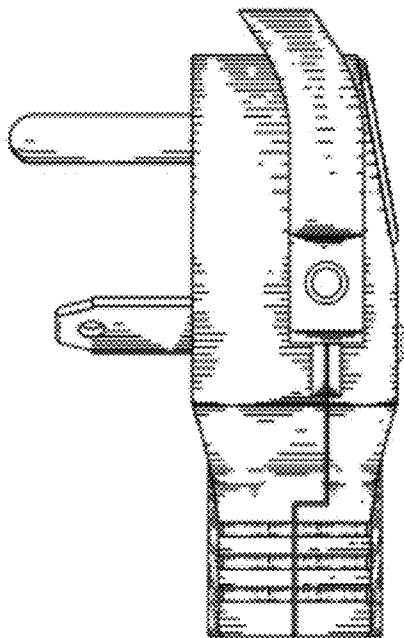


FIG. 6

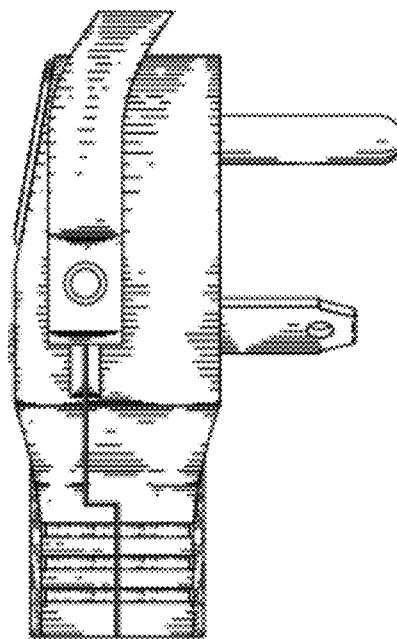


FIG. 7