



US00D659514S

(12) **United States Design Patent**
Olien

(10) **Patent No.:** **US D659,514 S**

(45) **Date of Patent:** **** May 15, 2012**

(54) **POST MOUNTING DEVICE**

(76) Inventor: **Michael A. Olien**, Cibolo, TX (US)

(**) Term: **14 Years**

(21) Appl. No.: **29/397,166**

(22) Filed: **Jul. 12, 2011**

(51) **LOC (9) Cl.** **08-05**

(52) **U.S. Cl.** **D8/354**

(58) **Field of Classification Search** D8/349,
D8/354, 382; 52/745.17, 296; 403/2; 248/300;
D32/50

See application file for complete search history.

(56) **References Cited**

U.S. PATENT DOCUMENTS

6,457,895	B1 *	10/2002	Salman	403/2
6,718,710	B2 *	4/2004	Platt	52/296
6,732,757	B2 *	5/2004	Benham	137/377
7,460,759	B2 *	12/2008	Reagan et al.	385/135
D592,351	S *	5/2009	Kinnune et al.	D26/155

7,546,720 B2 * 6/2009 Leary 52/745.17
* cited by examiner

Primary Examiner — Holly Baynham

(57) **CLAIM**

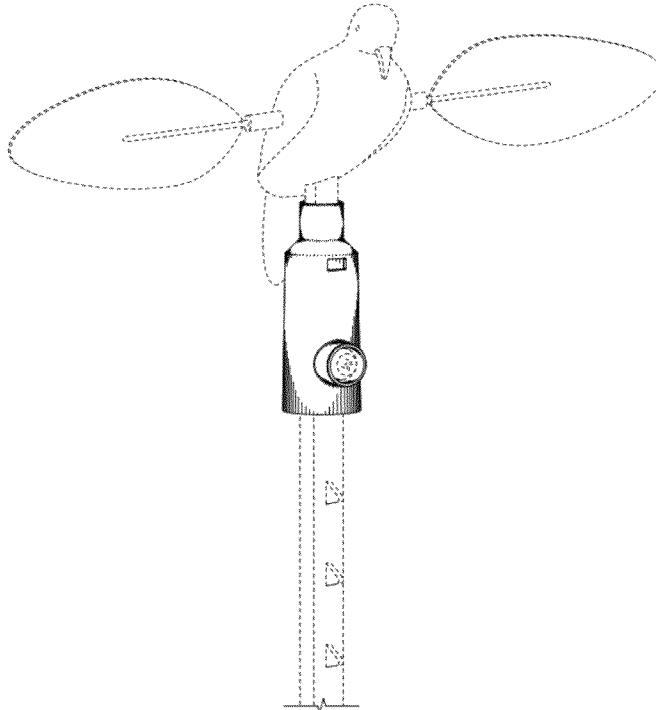
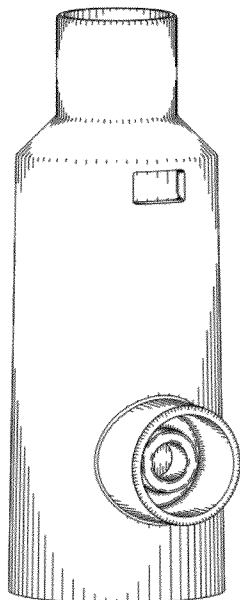
The ornamental design for a post mounting device, as shown and described.

DESCRIPTION

FIG. 1 is a front perspective view of a post mounting device showing my new design;
FIG. 2 is a front elevational view of the same;
FIG. 3 is a back elevational view of the same;
FIG. 4 is a left side elevational view of the same;
FIG. 5 is a right side elevational view of the same;
FIG. 6 is a top view of the same;
FIG. 7 is a bottom view of the same; and,
FIG. 8 is a reduced scale, environmental, front perspective view thereof.

The broken line showing of a post and simulative fan decoration is included for the purpose of illustrating environment and forms no part of the claimed design.

1 Claim, 4 Drawing Sheets



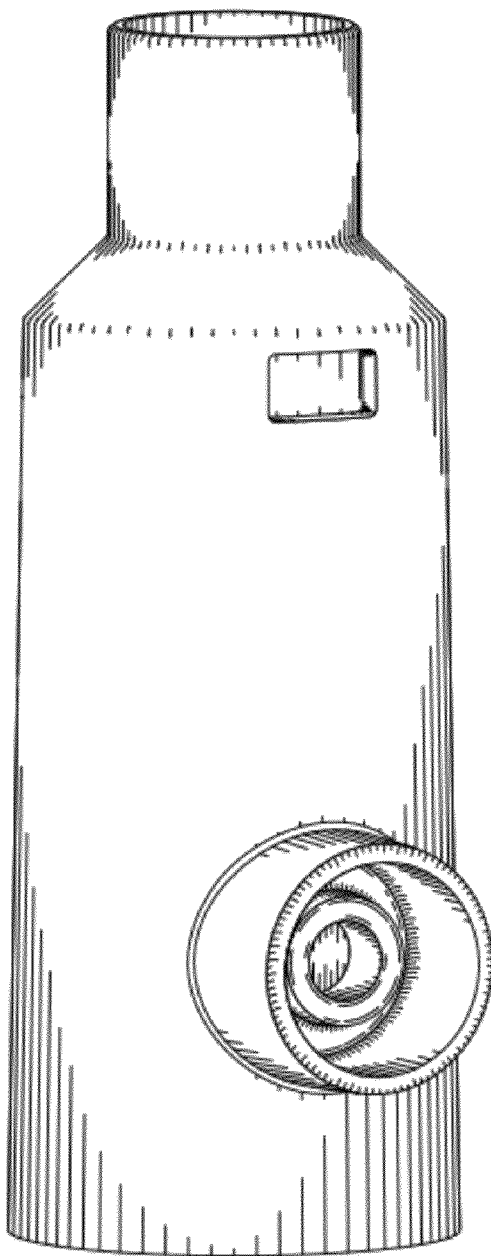


FIG. 1

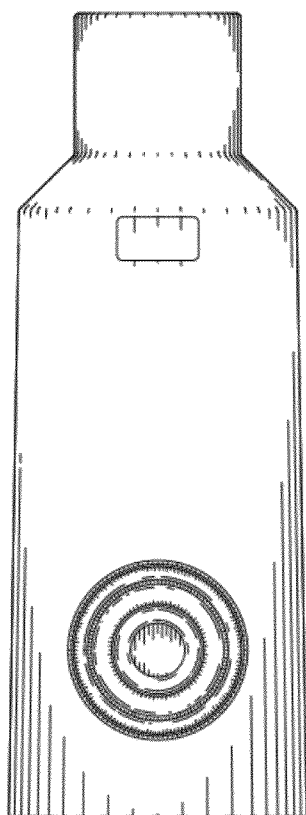


FIG. 2

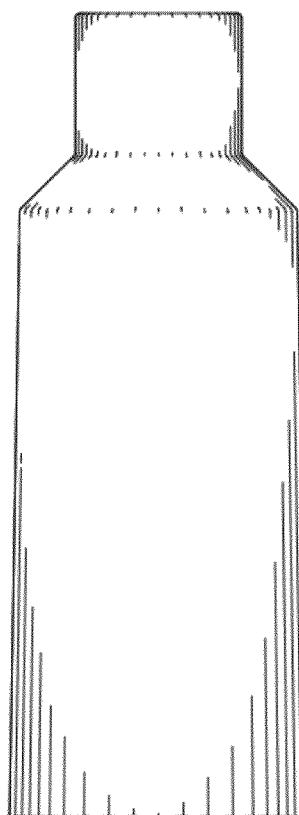


FIG. 3

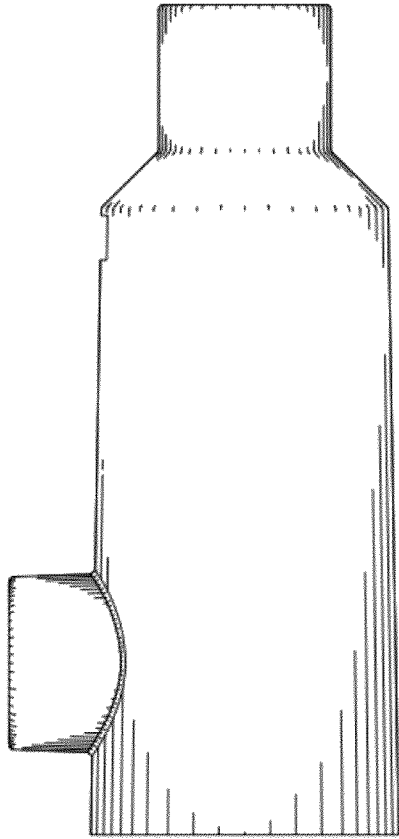


FIG. 4



FIG. 5

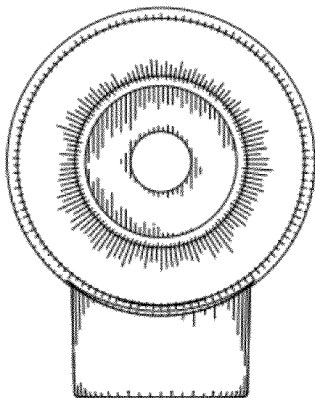


FIG. 6

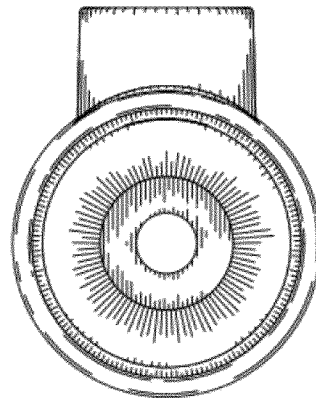


FIG. 7

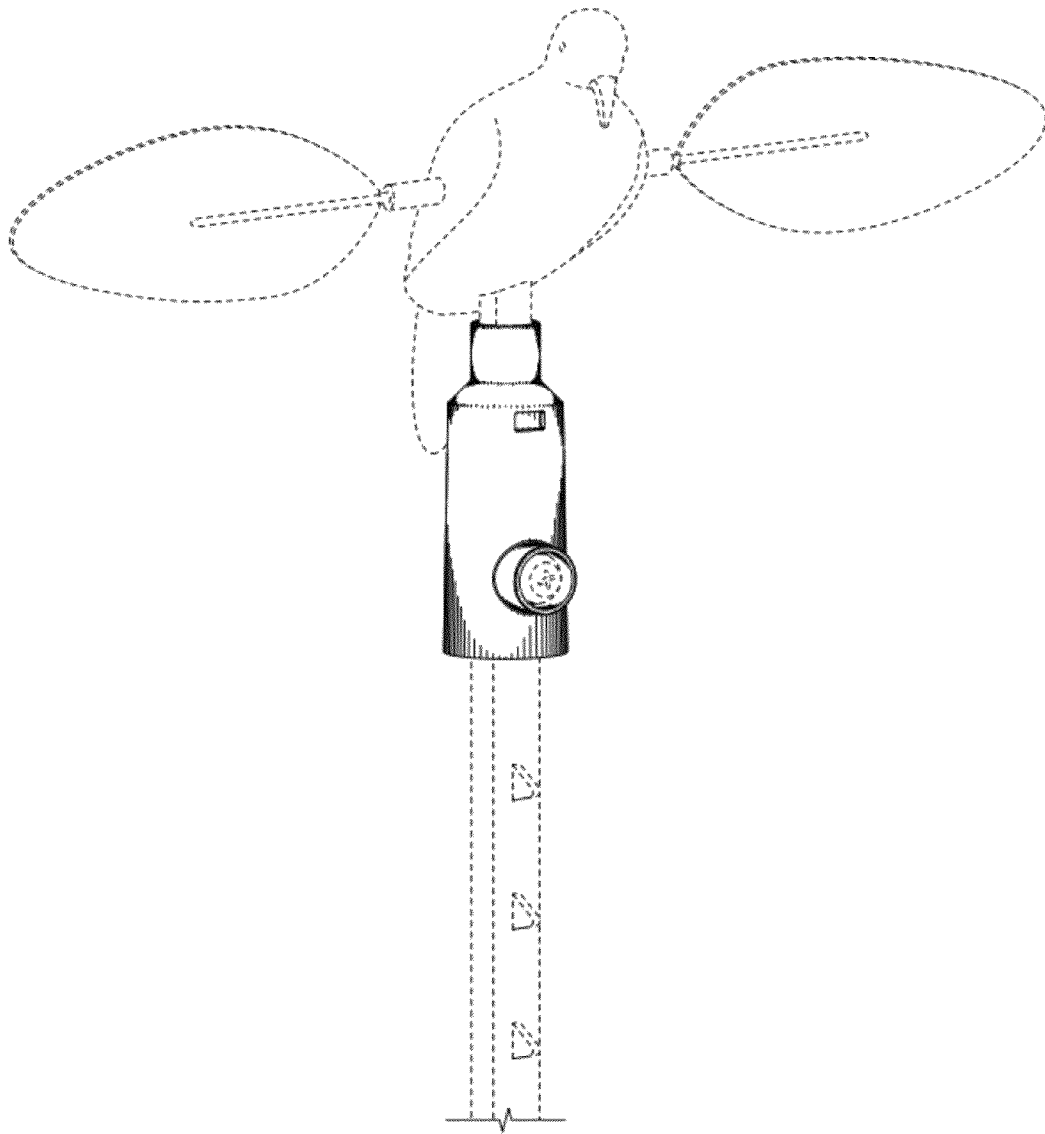


FIG. 8