



US00D707153S

(12) **United States Design Patent**
Meissner

(10) **Patent No.:** **US D707,153 S**
(45) **Date of Patent:** **** Jun. 17, 2014**

- (54) **FASTENER FOR A RELOCATABLE ORNAMENT**
- (76) Inventor: **Callahan Meissner**, Lee's Summit, MO (US)
- (**) Term: **14 Years**
- (21) Appl. No.: **29/405,024**
- (22) Filed: **Oct. 27, 2011**
- (51) **LOC (10) Cl.** **11-01**
- (52) **U.S. Cl.**
USPC **D11/87; D11/1**
- (58) **Field of Classification Search**
USPC D11/1, 2, 3, 7, 11, 26-50, 86-89, 200, D11/221, 222, 226, 206, 207, 213, 215, 93; 351/52; 63/12, 900, 38, 35; 24/453, 24/705, 3.1, 707.6, 706.9, 108, 707.1; 2/84, 410; D8/349, 352, 310, 333; D2/640; D16/339; 427/260; D29/114
See application file for complete search history.

D308,948 S *	7/1990	Anderson	D11/30
D309,280 S *	7/1990	Balfanz-Lee	D11/215
4,968,128 A	11/1990	Mendola		
4,974,956 A	12/1990	Gill		
5,161,234 A	11/1992	Nitta		
D337,967 S *	8/1993	Wright	D11/226
D363,683 S *	10/1995	Spurgeon et al.	D11/88
5,497,211 A	3/1996	McNulty		
5,500,693 A	3/1996	Friedman		
D370,023 S *	5/1996	Torrey	D16/339
D370,492 S *	6/1996	Torrey	D16/339
5,577,396 A *	11/1996	Cannon	63/13
5,654,787 A	8/1997	Barison		
5,675,988 A	10/1997	Ignatowski		

(Continued)

Primary Examiner — Garth Rademaker
Assistant Examiner — Melanie Pellegrini
(74) *Attorney, Agent, or Firm* — John Karl Buche; Buche & Associates, P.C.

(57) **CLAIM**
The ornamental design for a fastener for a relocatable ornament, as shown and described.

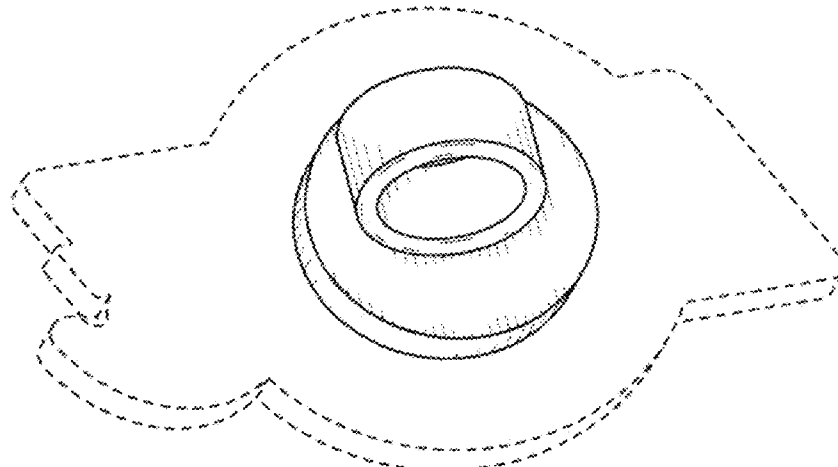
- (56) **References Cited**
U.S. PATENT DOCUMENTS

625,890 A *	5/1899	Mann	24/705
1,080,735 A *	12/1913	Tolchin	24/705
2,682,724 A	7/1954	Pattillo		
D174,340 S *	3/1955	Meltz	D11/222
2,724,834 A	11/1955	Henderson et al.		
2,835,063 A	5/1958	Worthington		
D235,584 S *	6/1975	Hall	D3/207
3,979,795 A	9/1976	Seron		
4,105,304 A	8/1978	Baker		
4,298,991 A	11/1981	Recenello		
4,471,509 A	9/1984	Marks		
4,630,452 A *	12/1986	Connelly et al.	63/12
4,753,828 A *	6/1988	Francis et al.	427/260
D302,401 S *	7/1989	Weingast	D11/88
4,907,425 A *	3/1990	Elkin	63/12
4,909,620 A	3/1990	Saccone		
4,927,258 A	5/1990	McKenna et al.		

DESCRIPTION

FIG. 1 is a rear perspective view of a fastener for a relocatable ornament showing my new design;
FIG. 2 is a front elevational view thereof;
FIG. 3 is a rear elevational view thereof;
FIG. 4 is a right side elevational view thereof;
FIG. 5 is a left side elevational view thereof;
FIG. 6 is a bottom plan view thereof;
FIG. 7 is a top plan view thereof;
FIG. 8 is a front elevational view thereof, shown in an environment of use; and,
FIG. 9 is a front elevational view thereof, shown in an alternate environment of use.
The broken lines shown in the drawings represent environmental matter and form no part of the claimed design.

1 Claim, 3 Drawing Sheets



US D707,153 S

Page 2

(56)

References Cited

U.S. PATENT DOCUMENTS

5,896,184	A	4/1999	Lowe et al.						
5,912,718	A *	6/1999	Murai et al.	351/52	D452,455	S *	12/2001	Rimes	D11/2
6,027,213	A	2/2000	Ignatowski		6,520,635	B1	2/2003	Ignatowski	
D425,544	S *	5/2000	Erpillo	D16/341	6,557,220	B1 *	5/2003	Hamm, Jr.	24/705
6,058,581	A *	5/2000	Ehrlund	24/705	D553,804	S *	10/2007	Kaposi	D29/114
D444,237	S *	6/2001	Stone	D24/173	7,591,554	B2 *	9/2009	Guerrero	351/52
D449,564	S *	10/2001	Platt	D11/222	D601,915	S *	10/2009	Heroux	D11/87
6,317,941	B1 *	11/2001	Hamm, Jr.	24/656	7,818,852	B2 *	10/2010	Van der Grefit	24/705
					D676,776	S *	2/2013	Williams	D11/26
					8,621,723	B2 *	1/2014	Meissner	24/3.1
					2007/0022779	A1 *	2/2007	Christians	63/35

* cited by examiner

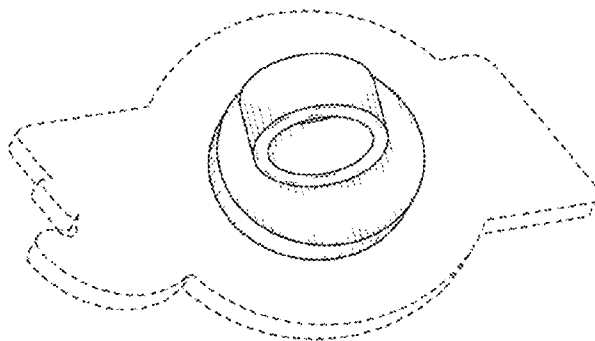


FIG. 1

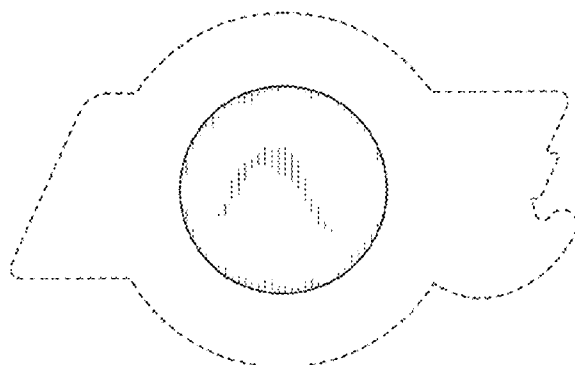


FIG. 2

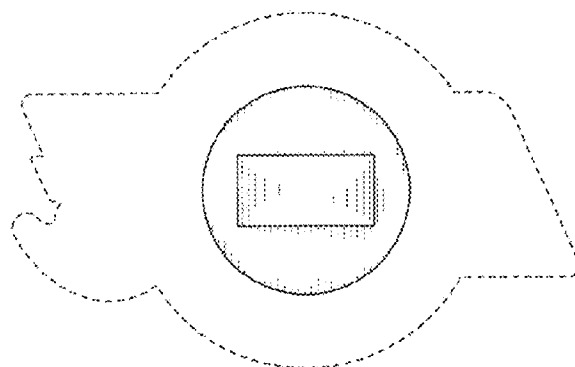


FIG. 3

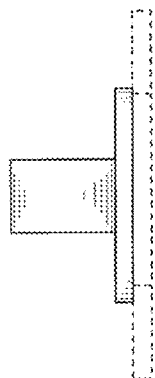


FIG. 4

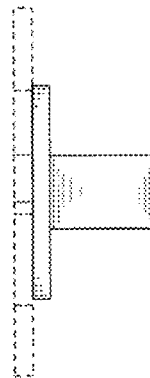


FIG. 5

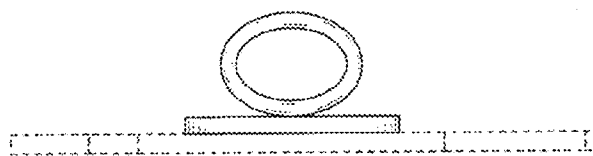


FIG. 6

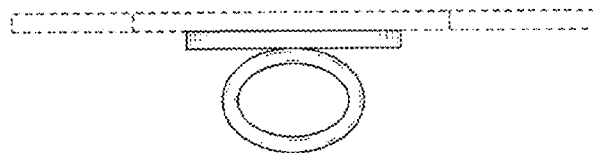


FIG. 7

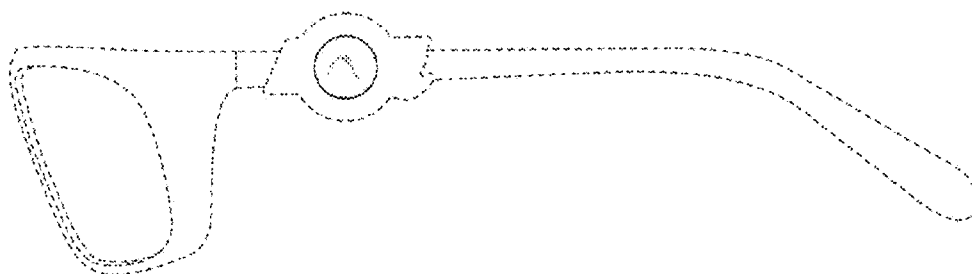


FIG. 8

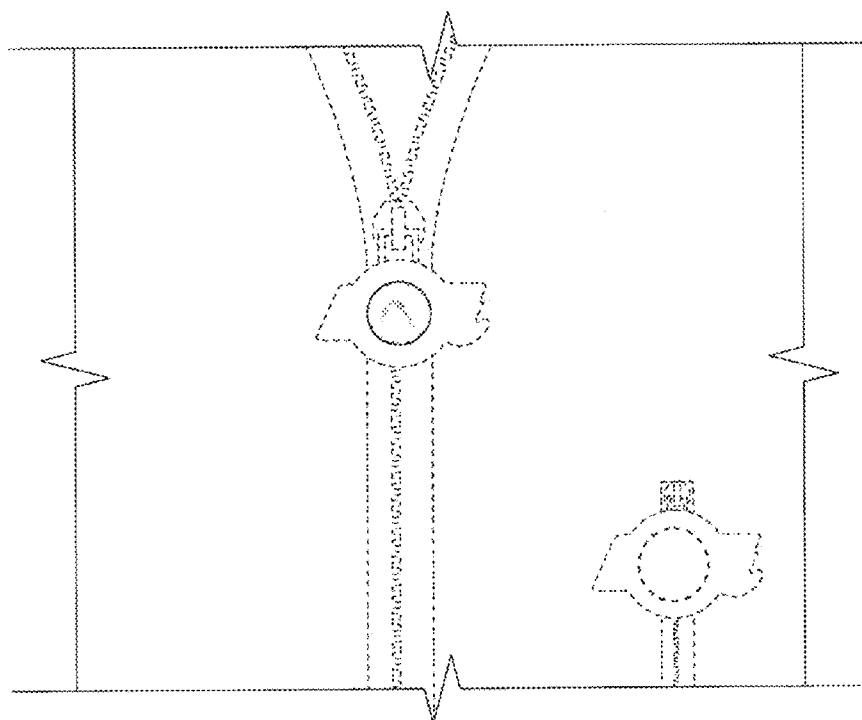


FIG. 9