



US00D710770S

(12) **United States Design Patent**  
**Caskey**

(10) **Patent No.:** **US D710,770 S**  
(45) **Date of Patent:** **\*\* Aug. 12, 2014**

- (54) **DRIVER CHASSIS**
- (71) Applicant: **Scott B. Caskey**, Spring, TX (US)
- (72) Inventor: **Scott B. Caskey**, Spring, TX (US)
- (\*\*) Term: **14 Years**
- (21) Appl. No.: **29/437,408**
- (22) Filed: **Nov. 15, 2012**
- (51) **LOC (10) Cl.** ..... **12-16**
- (52) **U.S. Cl.**  
USPC ..... **D12/178**
- (58) **Field of Classification Search**  
CPC ..... F16D 3/68; F16D 3/76; F16F 15/1245;  
F16F 15/124; E05B 49/02; E05B 49/47;  
E21B 4/02; E21B 4/00; G01B 5/255; G01B  
5/20  
USPC ..... D12/178, 159, 160; 464/93, 159, 112,  
464/160; 440/12.51; 227/180.1, 176.1, 19,  
227/175.2, 179.1; 173/178; 606/139, 219;  
180/248, 249, 69.6, 54.1, 219, 226,  
180/227; 33/606, 286, 412, 203, 613,  
33/203.18; 175/107, 101; 403/57;  
418/182, 48; 477/2, 6; 280/124.152  
See application file for complete search history.

(56) **References Cited**

U.S. PATENT DOCUMENTS

4,493,387	A *	1/1985	Lake et al.	180/248
5,048,622	A *	9/1991	Ide	175/107
5,263,549	A *	11/1993	Dick	180/226
5,647,526	A *	7/1997	Green et al.	227/175.2
6,804,897	B1 *	10/2004	Horn	33/606
6,871,719	B2 *	3/2005	Breese et al.	180/248
7,185,438	B2 *	3/2007	Paulsen et al.	33/203

7,410,021	B1 *	8/2008	Belloso	180/69.6
8,459,525	B2 *	6/2013	Yates et al.	227/180.1
2003/0125116	A1 *	7/2003	Breese et al.	464/159
2003/0216090	A1 *	11/2003	McDowell	440/12.51
2006/0272866	A1 *	12/2006	Ziech	180/24.1
2006/0278456	A1 *	12/2006	Desrosiers	180/219
2009/0197730	A1 *	8/2009	Berhan	475/150
2012/0004043	A1 *	1/2012	Lehmann	464/93
2012/0306177	A1 *	12/2012	Thill	280/124.152
2013/0298616	A1 *	11/2013	Ullrich et al.	70/278.1

\* cited by examiner

*Primary Examiner* — Susan E Krakower  
*Assistant Examiner* — Ryan Harvey

(74) *Attorney, Agent, or Firm* — John K. Buche; Scott Compton Buche & Associates, P.C.

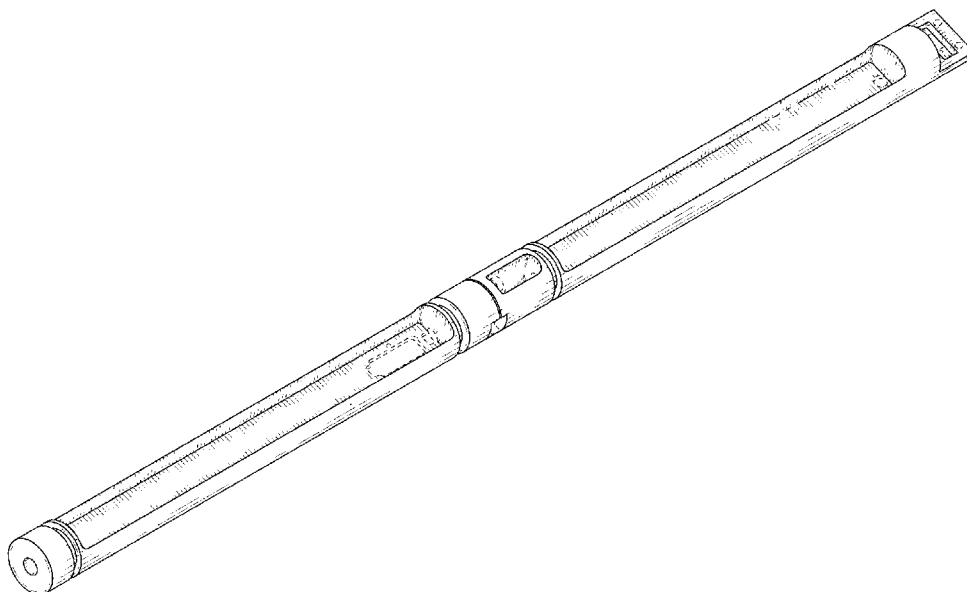
(57) **CLAIM**

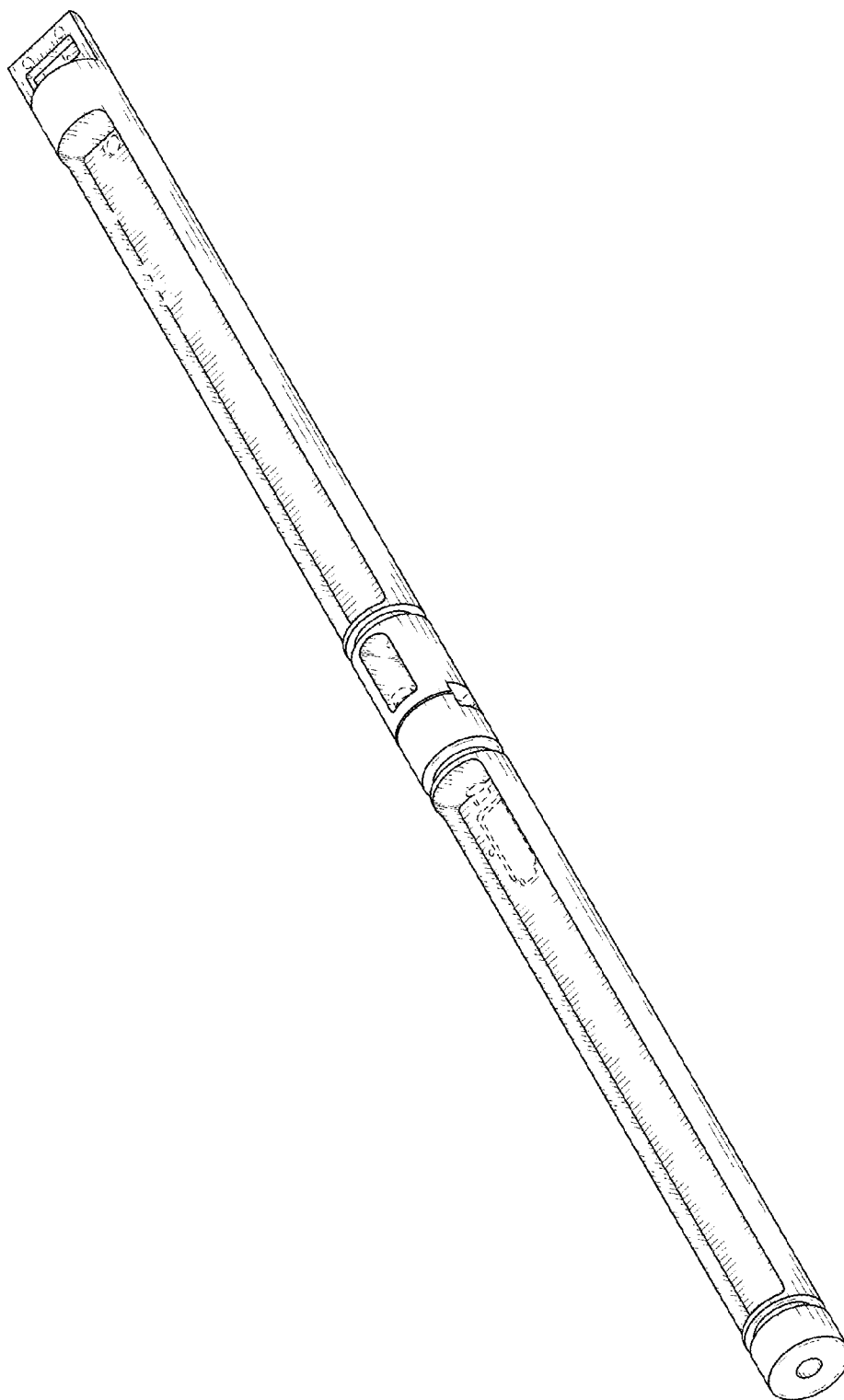
The ornamental design for a driver chassis, as shown and described.

**DESCRIPTION**

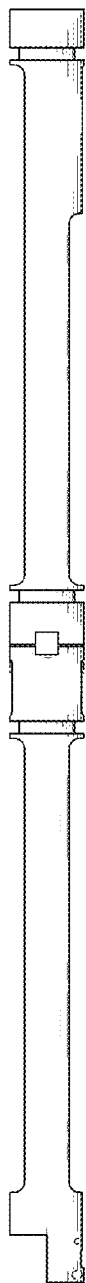
FIG. 1 is a front perspective view of a driver chassis showing my new design;  
 FIG. 2 is a right side view of the driver chassis;  
 FIG. 3 is a left side view of the driver chassis;  
 FIG. 4 is a front view of the driver chassis;  
 FIG. 5 is a back view of the driver chassis;  
 FIG. 6 is a top view of the driver chassis;  
 FIG. 7 is a bottom view of the driver chassis;  
 FIG. 8 is a front perspective view of the driver chassis; and,  
 FIG. 9 is an exploded view of the driver chassis.  
 The broken lines of the Figures illustrate environmental structure and portions of the driver chassis that form no part of the claimed design.

**1 Claim, 4 Drawing Sheets**

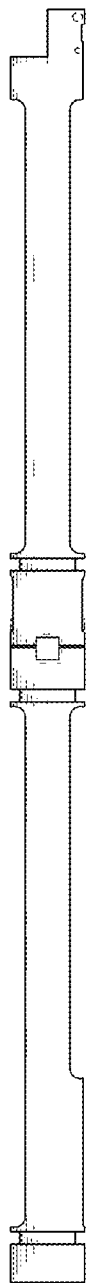




**FIG. 1**



**FIG. 2**



**FIG. 3**



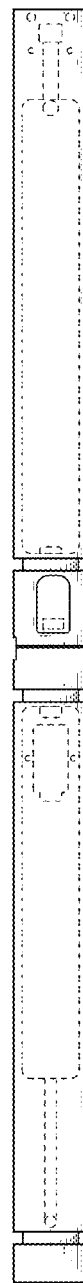
**FIG. 4**



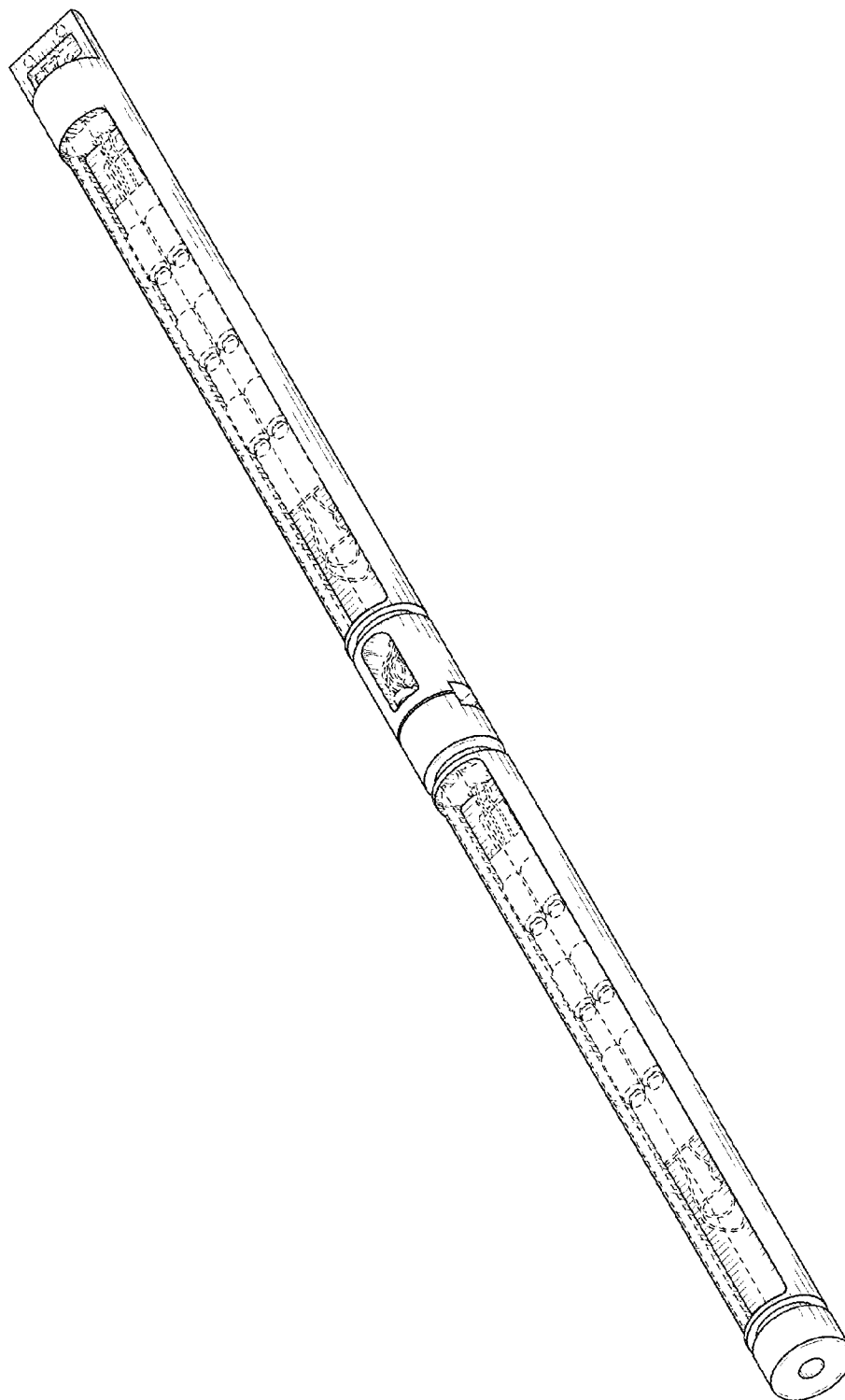
**FIG. 5**



**FIG. 6**



**FIG. 7**



**FIG. 8**

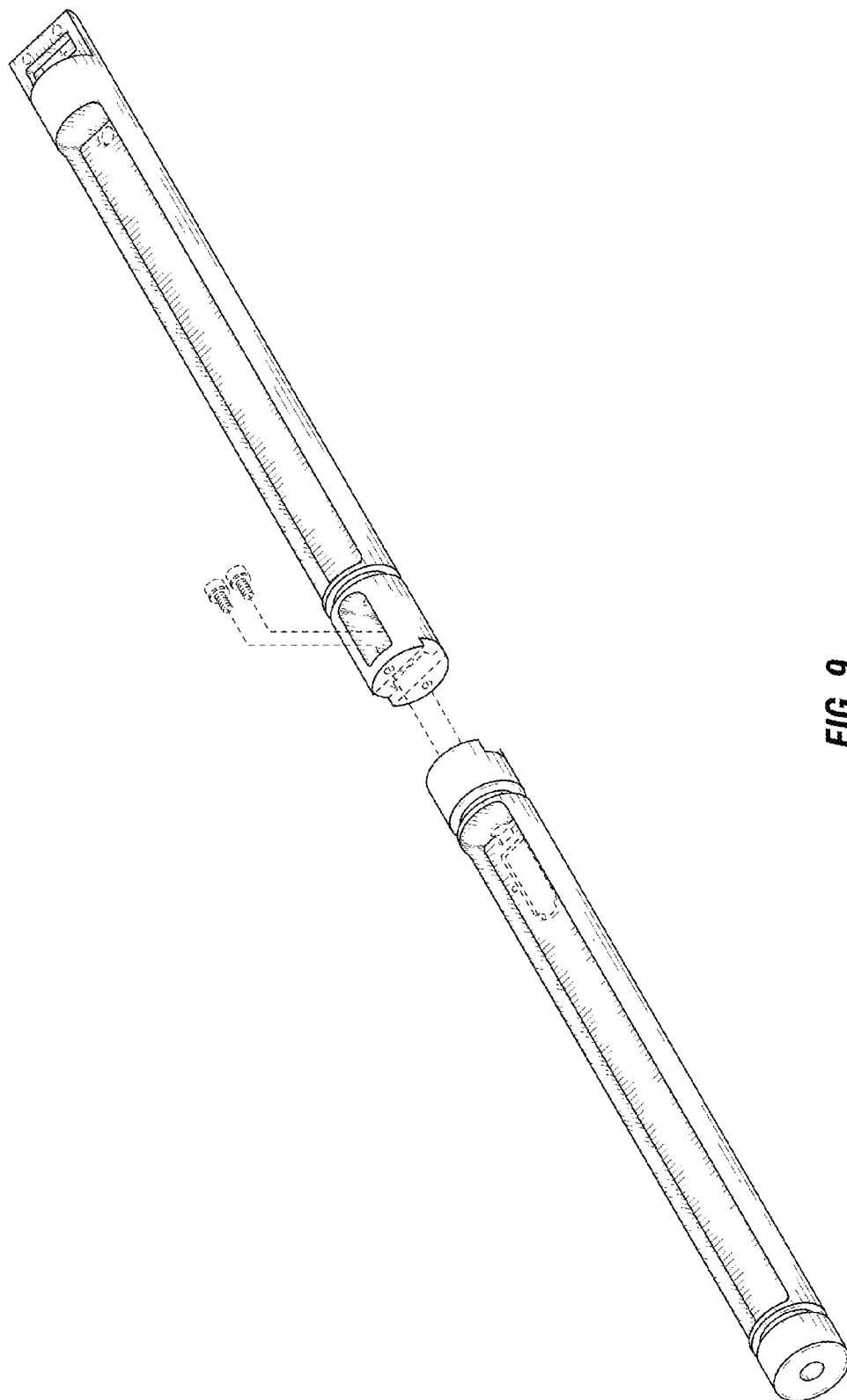


FIG. 9