



US00D713750S

(12) **United States Design Patent**
Villalpando

(10) **Patent No.:** **US D713,750 S**
(45) **Date of Patent:** **** Sep. 23, 2014**

- (54) **TAPE MEASURER**
- (71) Applicant: **Eduardo Villalpando**, San Diego, CA
(US)
- (72) Inventor: **Eduardo Villalpando**, San Diego, CA
(US)
- (**) Term: **14 Years**
- (21) Appl. No.: **29/464,316**
- (22) Filed: **Aug. 15, 2013**
- (51) **LOC (10) Cl.** **10-04**
- (52) **U.S. Cl.**
USPC **D10/72**
- (58) **Field of Classification Search**
CPC G07B 3/10; G01B 3/1082; G01B 3/1056;
G01B 3/563; G01B 3/566; G01B 3/1071;
G01B 2003/1089; G01B 2003/1092; G01B
2003/1048; G01B 2003/1079; G01B
2003/1041; G01B 2003/1084
USPC D10/72; 33/755-771; 242/285, 291,
242/379, 379.1, 379.2, 381, 381.1-381.6,
242/405

See application file for complete search history.

(56) **References Cited**

U.S. PATENT DOCUMENTS

- 3,375,994 A * 4/1968 Wohlert et al. 242/381.4
- D255,881 S * 7/1980 Atienza D10/72

- D275,460 S * 9/1984 Cohen D10/72
- D367,618 S * 3/1996 Stewart et al. D10/72
- D392,197 S * 3/1998 Reynolds D10/65
- D439,176 S * 3/2001 Lin D10/72
- D442,098 S * 5/2001 Yang D10/72
- 6,691,426 B1 * 2/2004 Lee et al. 33/759
- 6,804,898 B1 * 10/2004 Hsu 33/668
- 7,131,215 B2 * 11/2006 Kang 33/769
- 7,174,656 B1 * 2/2007 Smith 33/769
- D611,849 S * 3/2010 Cook et al. D10/72
- 7,900,369 B2 * 3/2011 Albrecht 33/762
- 8,776,389 B2 * 7/2014 Richard 33/758

* cited by examiner

Primary Examiner — Antoine D Davis

(74) *Attorney, Agent, or Firm* — John K. Buche; Buche & Associates, P.C.

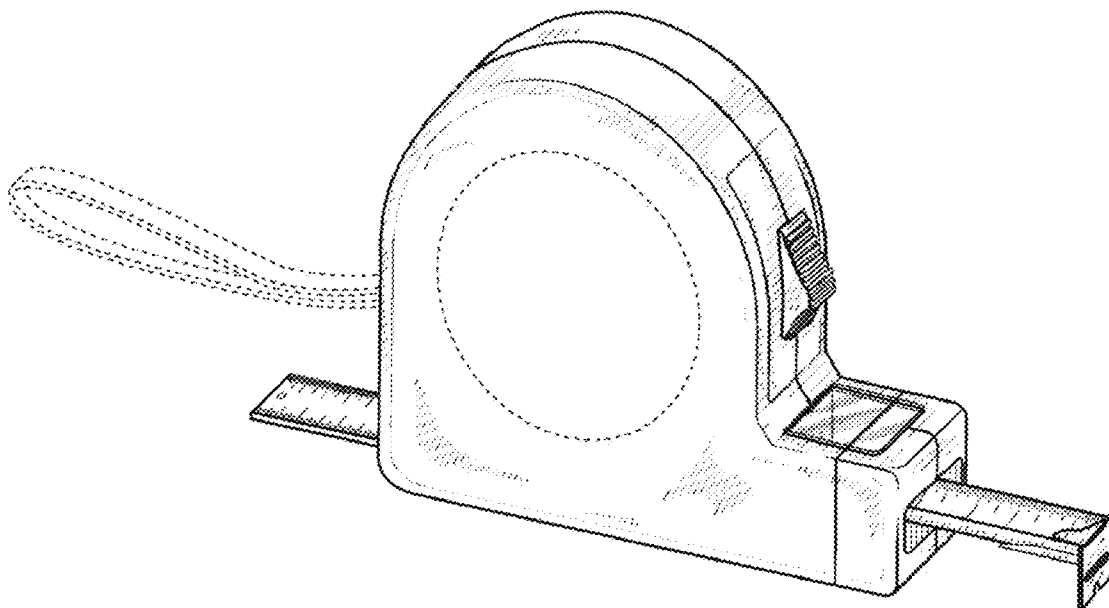
(57) **CLAIM**

I claim the ornamental design of a tape measurer, as shown and described.

DESCRIPTION

FIG. 1 is a perspective view of the tape measurer.
 FIG. 2 is a front view of the tape measurer.
 FIG. 3 is a back view of the tape measurer.
 FIG. 4 is a left-side view of the tape measurer.
 FIG. 5 is a right-side view of the tape measurer.
 FIG. 6 is a top view of the tape measurer; and,
 FIG. 7 is a bottom view of the tape measurer.
 In the figures, features of the tape measurer drawn in broken lines form no part of the claimed design.

1 Claim, 4 Drawing Sheets



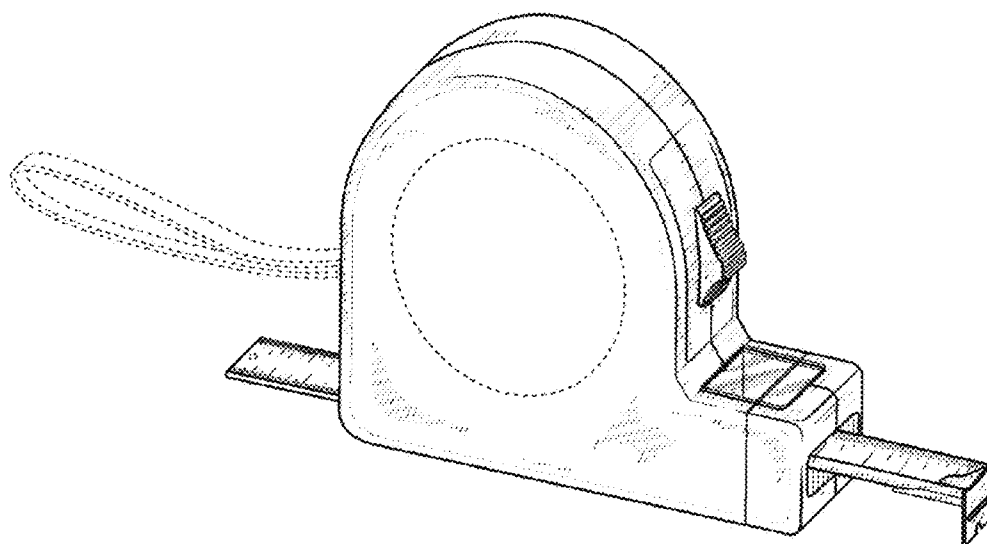


FIG. 1

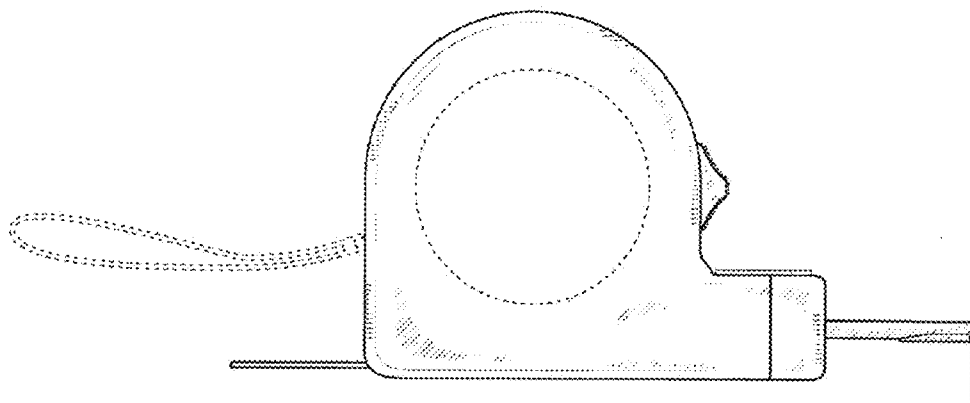


FIG. 2

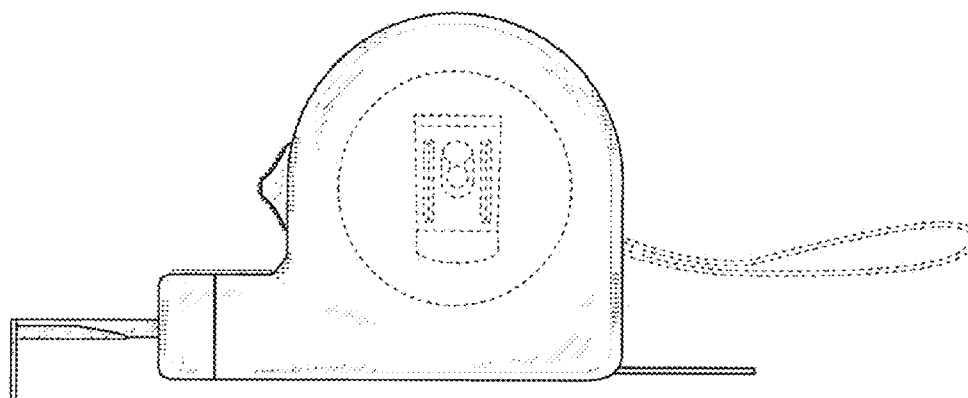


FIG. 3

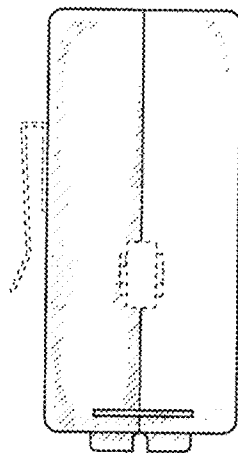


FIG. 4

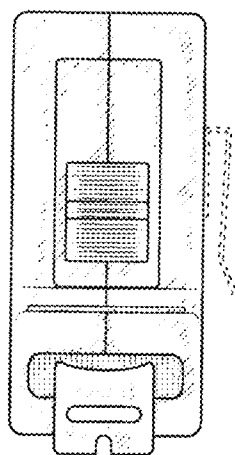


FIG. 5

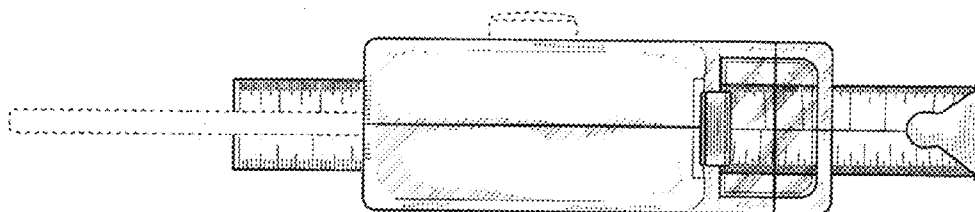


FIG. 6



FIG. 7