



US00D714595S

(12) **United States Design Patent**
Ducey

(10) **Patent No.:** **US D714,595 S**
(45) **Date of Patent:** **** Oct. 7, 2014**

- (54) **HERB GRINDER**
- (71) Applicant: **Cole Ducey**, San Marcos, CA (US)
- (72) Inventor: **Cole Ducey**, San Marcos, CA (US)
- (**) Term: **14 Years**
- (21) Appl. No.: **29/488,715**
- (22) Filed: **Apr. 22, 2014**
- (51) **LOC (10) CL.** **07-04**
- (52) **U.S. CL.**
USPC **D7/679; D7/372**
- (58) **Field of Classification Search**
CPC A47J 42/08
USPC D7/679, 590-598, 372, 373, 401.1;
222/142.1-142.9, 480; 99/484-485,
99/495, 509-510; 241/25, 101.2, 199.12,
241/101.3, 273.1-273.4, 282.1, 168, 169,
241/169.1, 83, 36, 92, 95
See application file for complete search history.

7,367,519	B2	5/2008	de Groote et al.	
7,422,170	B2 *	9/2008	Bao	241/168
D594,288	S	6/2009	Mah et al.	
D627,609	S	11/2010	McGuyer et al.	
7,886,999	B2	2/2011	Ruzycky	
8,083,167	B1	12/2011	Namakian et al.	
8,220,732	B2	7/2012	Griffin et al.	
D673,006	S *	12/2012	Kent	D7/372
D678,004	S	3/2013	Dam	
8,393,563	B2	3/2013	Chaoui et al.	
D695,067	S	12/2013	Wilson et al.	
2010/0301806	A1	12/2010	Ormaza et al.	
2012/0097774	A1	4/2012	Hainbach	
2013/0015278	A1	1/2013	Edwards	
2013/0214068	A1	8/2013	Camitta	

* cited by examiner

Primary Examiner — Terry Wallace

(74) *Attorney, Agent, or Firm* — Buche & Associates, P.C.;
John K. Buche

(57) **CLAIM**

The ornamental design of an herb grinder, as shown and described.

DESCRIPTION

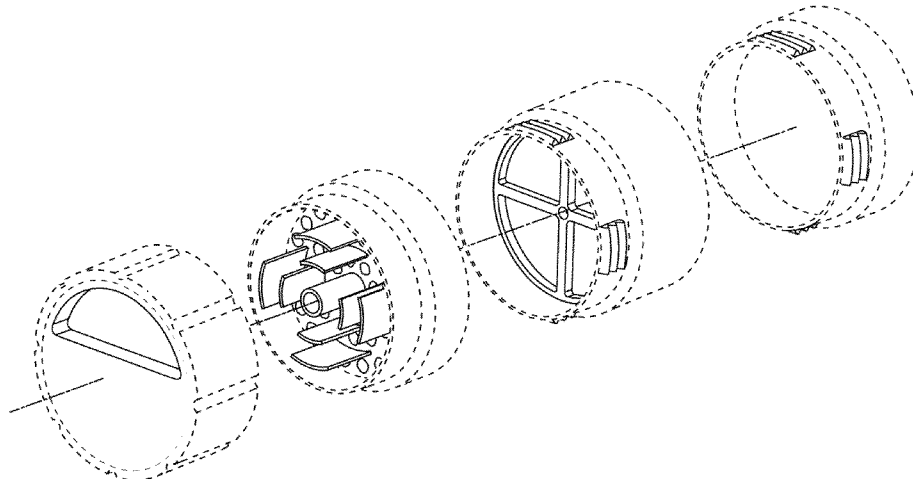
FIG. 1 is a top plan view of the herb grinder showing my new design.
 FIG. 2 is a bottom plan view of FIG. 1.
 FIG. 3 is a top perspective view of top tier of the herb grinder.
 FIG. 4 is a bottom perspective view of FIG. 3.
 FIG. 5 is a top perspective view of the second tier of the herb grinder.
 FIG. 6 is a top perspective view of the third tier of the herb grinder.
 FIG. 7 is a top perspective view of the bottom tier of the herb grinder; and,
 FIG. 8 is an exploded perspective view of the herb grinder.
 The sections are shown separately for clarity and ease of illustration. The broken lines are for illustrative purposes only and form no part of the claimed design.

1 Claim, 5 Drawing Sheets

(56) **References Cited**

U.S. PATENT DOCUMENTS

795,746	A	4/1905	Wingfield et al.	
2,602,596	A *	7/1952	Jones et al.	241/169.1
D189,310	S	11/1960	Craig	
3,729,096	A	4/1973	Fitzner et al.	
D250,280	S	11/1978	Waldman	
4,304,363	A	12/1981	Atkielski	
D307,223	S	4/1990	Rossari	
5,071,663	A *	12/1991	Dugan	241/168
D378,653	S	4/1997	Richardi	
D447,920	S	9/2001	Lillelund et al.	
6,517,018	B2	2/2003	Manson	
D474,378	S	5/2003	Brandenburg	
D477,503	S *	7/2003	Wong	D7/678
6,663,031	B2 *	12/2003	Henderson et al.	241/169.1
6,834,817	B2 *	12/2004	Manson	241/169.1
D501,372	S	2/2005	Lo	
6,945,486	B2	9/2005	Teng	
7,147,174	B2	12/2006	Mansen	



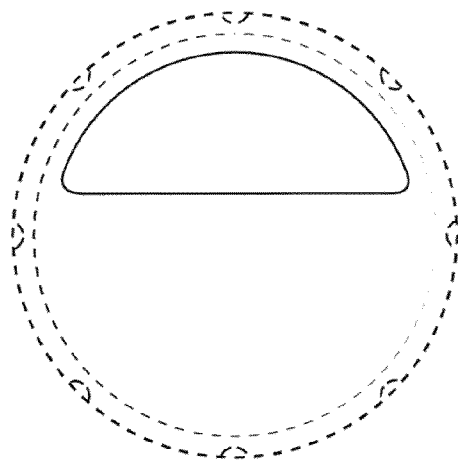


FIG. 1

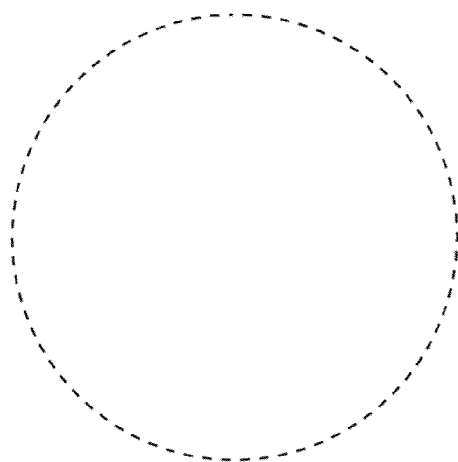


FIG. 2

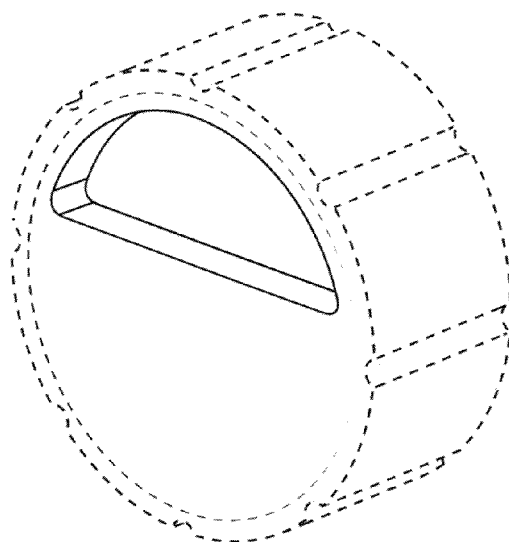


FIG. 3

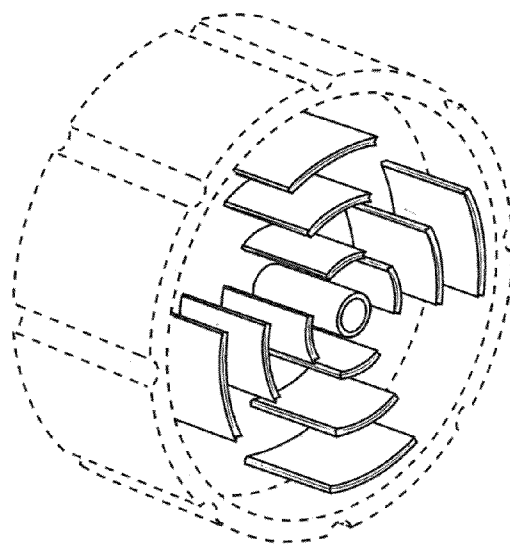


FIG. 4

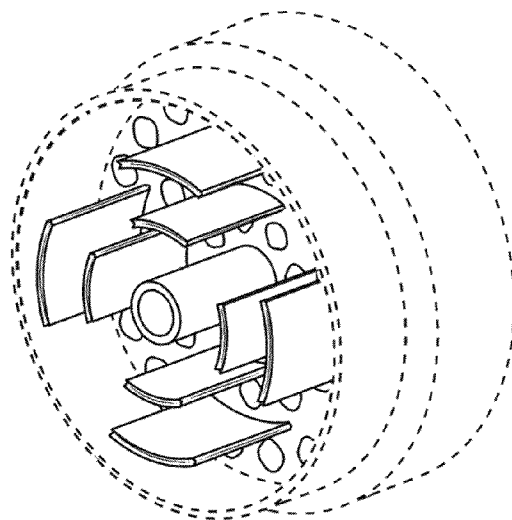


FIG. 5

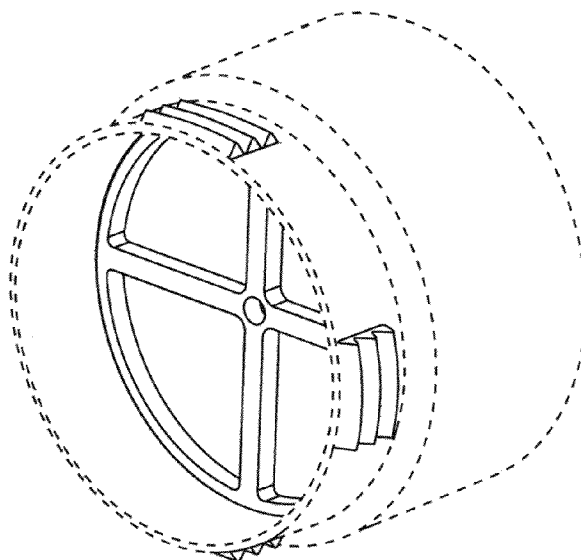


FIG. 6

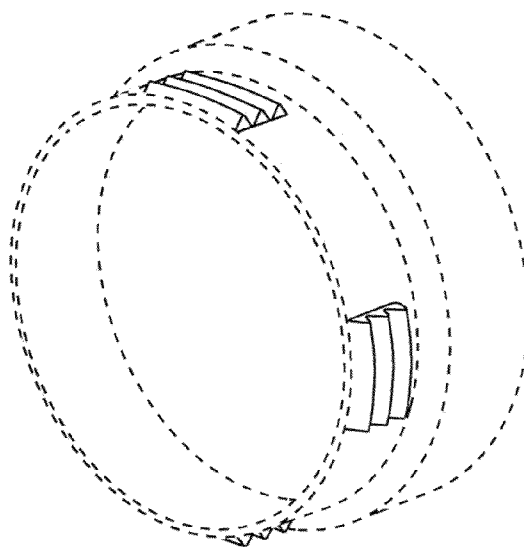


FIG. 7

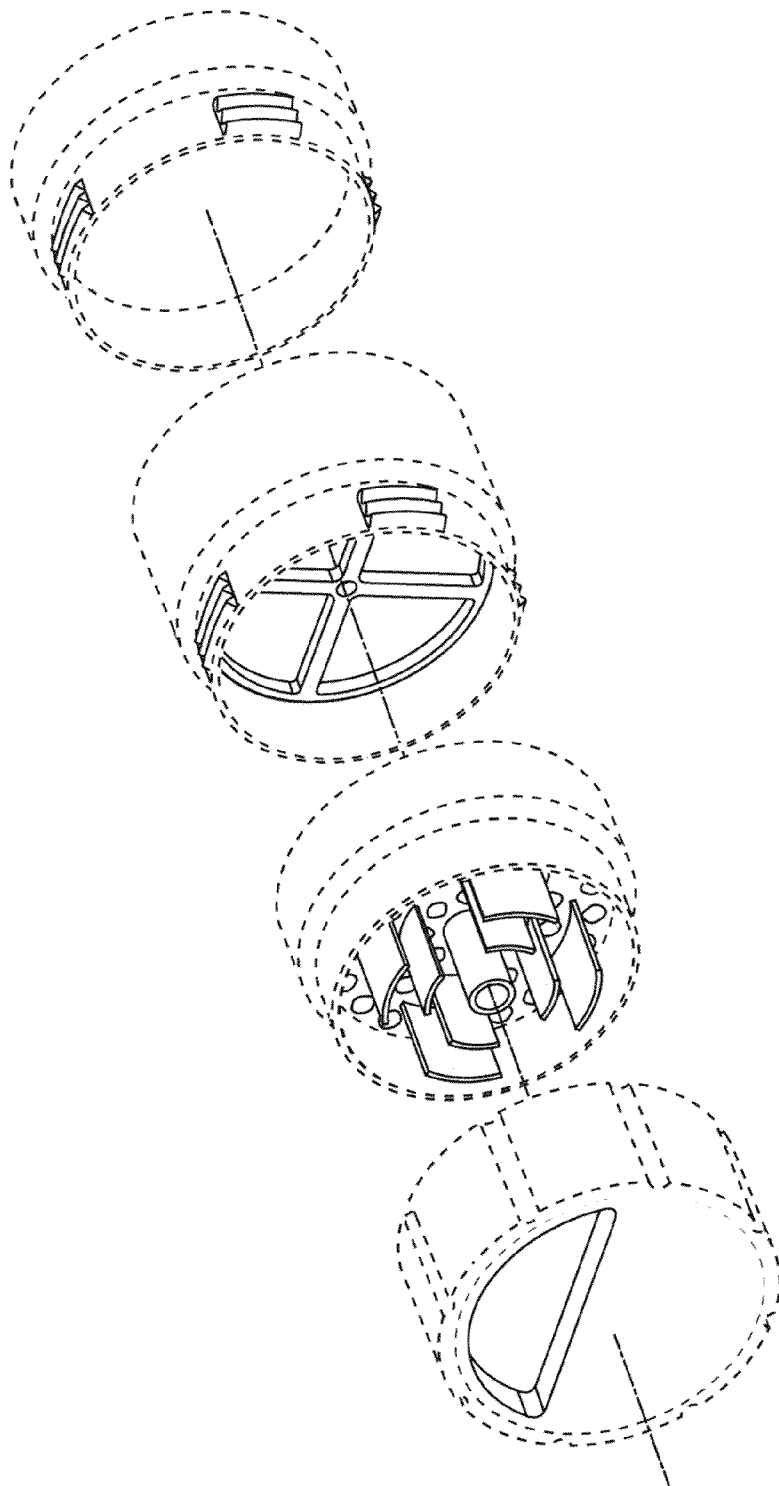


FIG. 8