



US00D746228S

(12) **United States Design Patent**
Medley

(10) **Patent No.:** **US D746,228 S**

(45) **Date of Patent:** **** Dec. 29, 2015**

- (54) **PLUG WITH A DIGITAL READOUT**
- (71) Applicant: **Prime Wire & Cable, Inc.**, La Jolla, CA (US)
- (72) Inventor: **Mark Medley**, Covina, CA (US)
- (73) Assignee: **PRIME WIRE & CABLE, INC.**, City of Industry, CA (US)
- (**) Term: **14 Years**
- (21) Appl. No.: **29/443,204**

D382,251	S	*	8/1997	Tsui	D13/137.1
D391,177	S	*	2/1998	Stekelenburg	D10/40
D432,029	S	*	10/2000	Stekelenburg	D10/40
D449,543	S	*	10/2001	Stekelenburg	D10/40
D465,200	S	*	11/2002	Duryea	D13/137.3
D466,420	S	*	12/2002	Chen	D10/40
D513,999	S	*	1/2006	Echito et al.	D10/40
D515,031	S	*	2/2006	Woolley et al.	D13/137.2
D534,440	S	*	1/2007	Stekelenburg	D10/40
D534,441	S	*	1/2007	Stekelenburg	D10/40
D616,823	S	*	6/2010	Shi	D13/137.2
D619,535	S	*	7/2010	Shi	D13/137.2
D621,285	S	*	8/2010	Stekelenburg	D10/40
D646,590	S	*	10/2011	Stekelenburg	D10/40

* cited by examiner

- (22) Filed: **Jan. 14, 2013**
- (51) **LOC (10) Cl.** **13-02**
- (52) **U.S. Cl.**
USPC **D13/110**
- (58) **Field of Classification Search**
USPC D10/10, 15, 40, 46, 49, 50, 75, 96, 106,
D10/125; D13/110, 123, 124, 133, 137.1,
D13/137.2, 137.3, 138.1, 139.6, 139.8, 154,
D13/155, 156, 158, 159, 160, 161, 162,
D13/162.1, 163, 164, 165, 177, 178, 184,
D13/199; 200/19.04, 19.15, 33 R, 295,
200/38 DA, 51 R; 323/323; 336/192, 200;
361/605, 647, 678, 679.1, 690;
315/276; 174/58; D14/441, 443;
D16/237; D12/192
See application file for complete search history.

Primary Examiner — Derrick Holland
Assistant Examiner — Jennifer O King
 (74) *Attorney, Agent, or Firm* — Buche & Associates, P.C.;
 John K. Buche

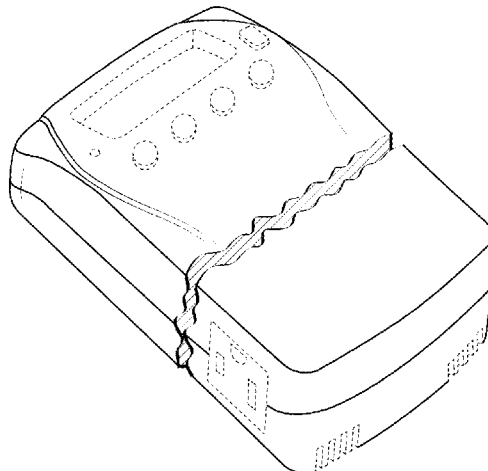
(57) **CLAIM**
 I claim the ornamental design for a plug with a digital readout,
 as shown and described.

DESCRIPTION

FIG. 1 is a perspective view of a plug with a digital readout;
 FIG. 2 is a front view thereof;
 FIG. 3 is a back view thereof;
 FIG. 4 is a left-side view thereof;
 FIG. 5 is a right-side view thereof;
 FIG. 6 is a top view thereof; and,
 FIG. 7 is a bottom view thereof.
 The broken lines shown represent unclaimed subject matter
 and form no part of the claimed design.
 The unclaimed portion of plug with a digital readout has been
 shown broken in the middle to indicate indeterminate length.

- (56) **References Cited**
 U.S. PATENT DOCUMENTS
 D247,895 S * 5/1978 Gillette D13/137.3
 D296,878 S * 7/1988 Rakocy D10/40
 D315,893 S * 4/1991 Cheng D13/165
 D352,667 S * 11/1994 Chen D10/40
 D364,379 S * 11/1995 Pogue et al. D13/160

1 Claim, 4 Drawing Sheets



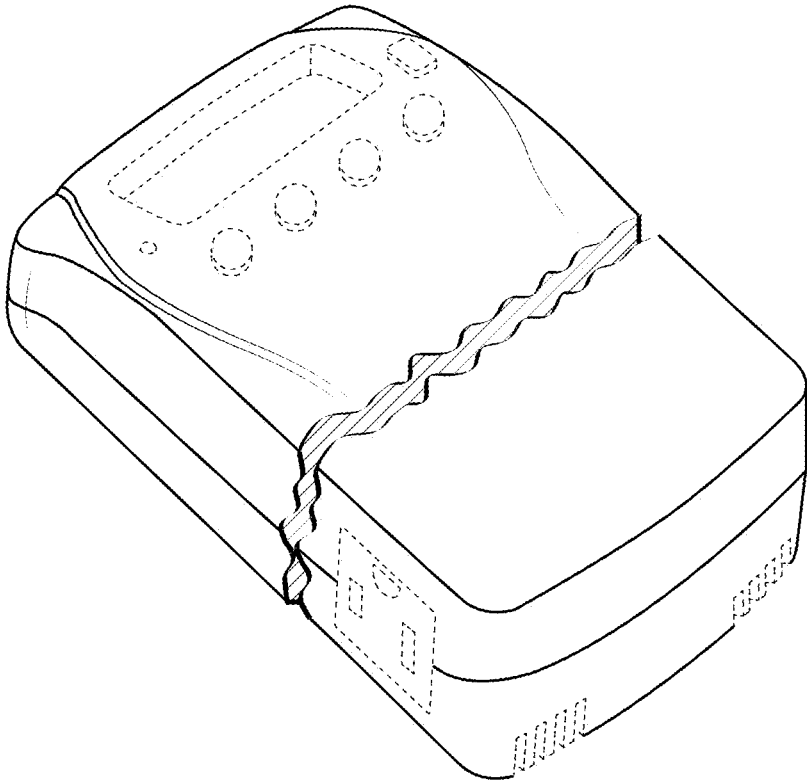


FIG. 1

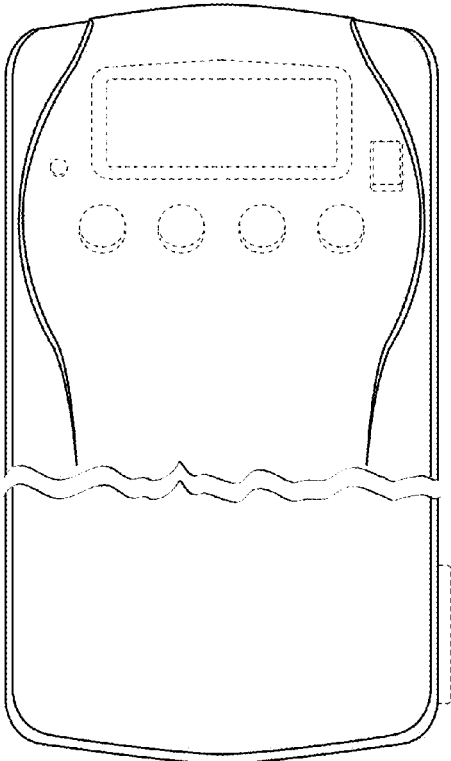


FIG. 2

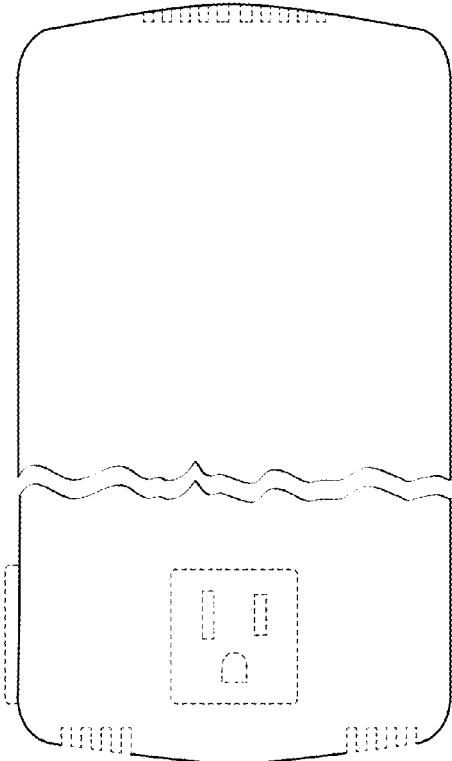


FIG. 3

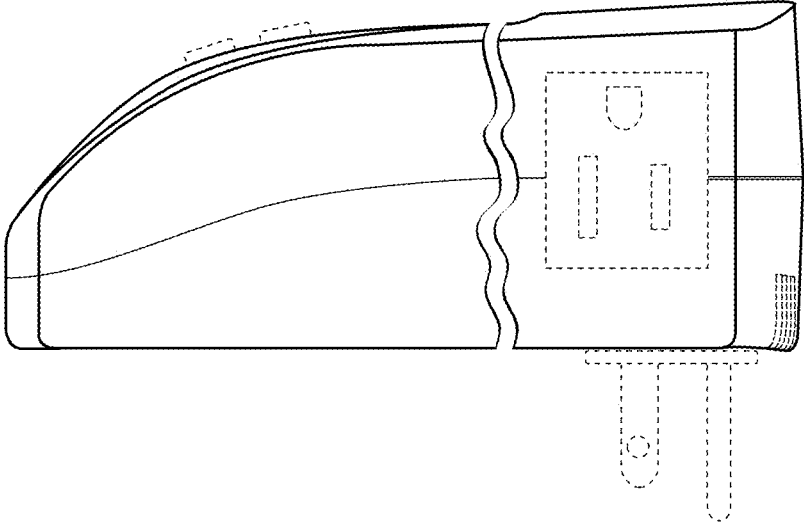


FIG. 4

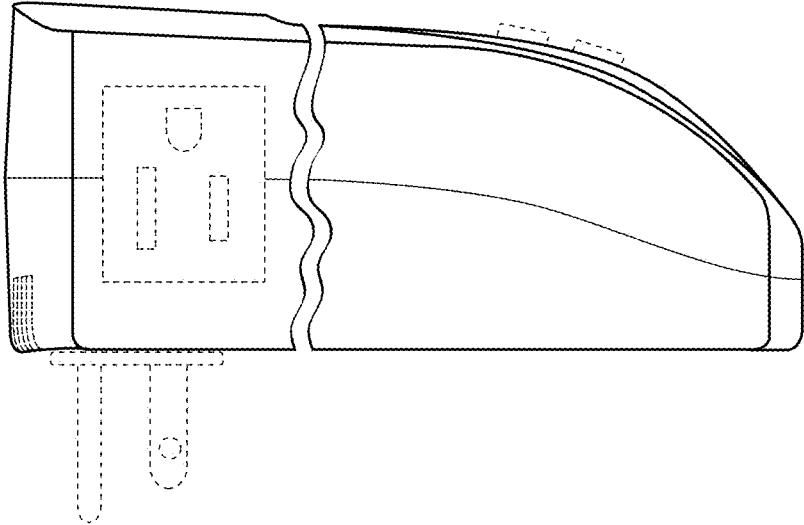


FIG. 5

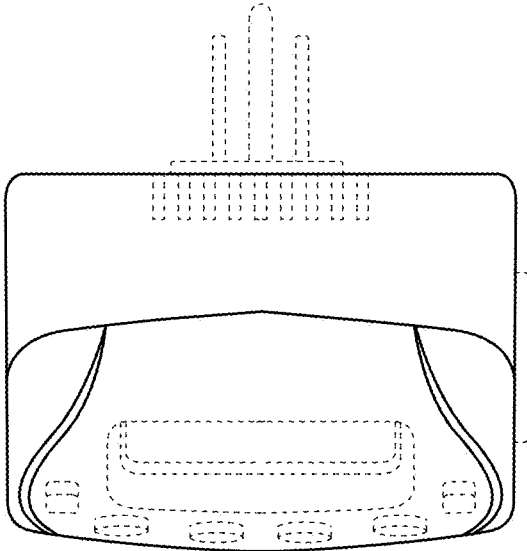


FIG. 6

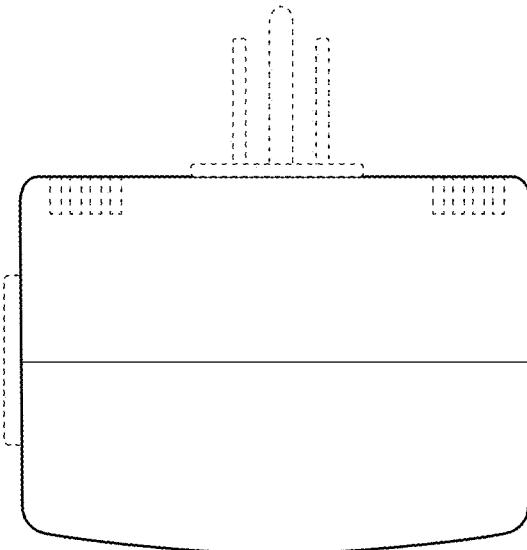


FIG. 7