



US00D752516S

(12) **United States Design Patent**
Medley et al.

(10) **Patent No.:** **US D752,516 S**
(45) **Date of Patent:** **** Mar. 29, 2016**

(54) **REVERSE ORIENTATION PLUG**

(56) **References Cited**

(71) Applicants: **Mark Medley**, Covina, CA (US); **Jeff Millar-Sax**, Yucaipa, CA (US); **Gerry Bateman**, Pinehurst, NC (US); **Cynthia Marvel**, Clearwater, FL (US); **Meng Choo Loh**, Los Angeles, CA (US)

(72) Inventors: **Mark Medley**, Covina, CA (US); **Jeff Millar-Sax**, Yucaipa, CA (US); **Gerry Bateman**, Pinehurst, NC (US); **Cynthia Marvel**, Clearwater, FL (US); **Meng Choo Loh**, Los Angeles, CA (US)

(73) Assignee: **PRIME WIRE & CABLE, INC.**, City of Industry, CA (US)

(**) Term: **14 Years**

(21) Appl. No.: **29/443,208**

(22) Filed: **Feb. 6, 2013**

Related U.S. Application Data

(63) Continuation of application No. 13/987,289, filed on Jan. 14, 2013, now abandoned.

(51) **LOC (10) Cl.** **13-03**

(52) **U.S. Cl.**
USPC **D13/137.1**

(58) **Field of Classification Search**
USPC D13/139.5, 139.9, 139, 137.1-137.4, D13/138.2, 138.1, 139.2, 139.6, 139.8, 110, D13/152, 162, 156, 171, 158, 170, 160; 174/66, 37-38; 200/5 A, 5 R, 1 B; 338/201-202; 361/118, 602, 622, 641, 361/644, 660, 679.05

See application file for complete search history.

U.S. PATENT DOCUMENTS

| | | | | | | |
|-----------|---|---|---------|--------------|-------|-----------|
| D305,641 | S | * | 1/1990 | DeLuca | | D13/137.3 |
| D329,423 | S | * | 9/1992 | Luu | | D13/137.2 |
| 5,613,863 | A | * | 3/1997 | Klaus et al. | | 439/131 |
| D382,251 | S | * | 8/1997 | Tsui | | D13/137.1 |
| D434,010 | S | * | 11/2000 | Stekelenburg | | D13/160 |
| D442,916 | S | * | 5/2001 | Tong et al. | | D13/137.2 |
| D469,402 | S | * | 1/2003 | Bukiri | | D13/137.1 |
| D511,469 | S | * | 11/2005 | Aromin | | D13/138.1 |
| D547,271 | S | * | 7/2007 | Ng | | D13/137.1 |
| D642,529 | S | * | 8/2011 | Su et al. | | D13/139.8 |
| D674,348 | S | * | 1/2013 | Lee et al. | | D13/137.1 |

* cited by examiner

Primary Examiner — Holly Baynham

Assistant Examiner — Rhea Shields

(74) *Attorney, Agent, or Firm* — Buche & Associates, P.C.; John K. Buche

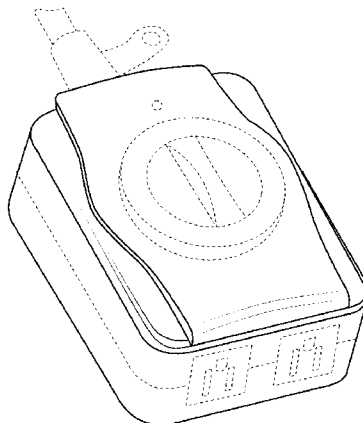
(57) **CLAIM**

The ornamental design for a reverse orientation plug, as shown and described.

DESCRIPTION

FIG. 1 is a perspective view of the reverse orientation plug. FIG. 2 is a front view of the reverse orientation plug of FIG. 1. FIG. 3 is a back view of the reverse orientation plug of FIG. 1. FIG. 4 is a left-side view of the reverse orientation plug of FIG. 1. FIG. 5 is a right-side view of the reverse orientation plug of FIG. 1. FIG. 6 is a top view of the reverse orientation plug of FIG. 1; and, FIG. 7 is a bottom view of the reverse orientation plug of FIG. 1. In FIG. 1, the reverse orientation plug is shown with a symbolic break in its length. The appearance of any portion of the article beyond the break line forms no part of the claimed design. The broken lines in the drawings represent unclaimed subject matter only and form no part of the claimed design.

1 Claim, 4 Drawing Sheets



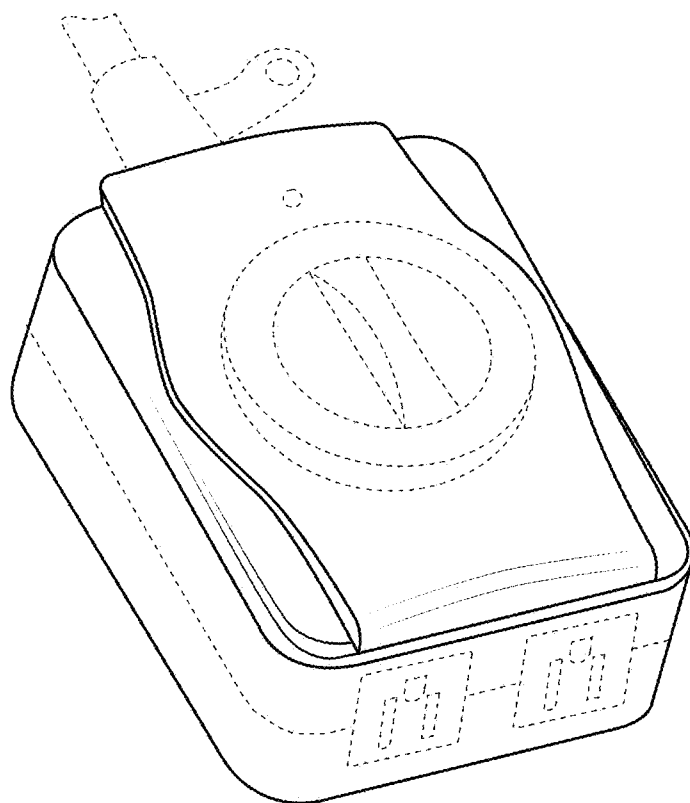


FIG. 1

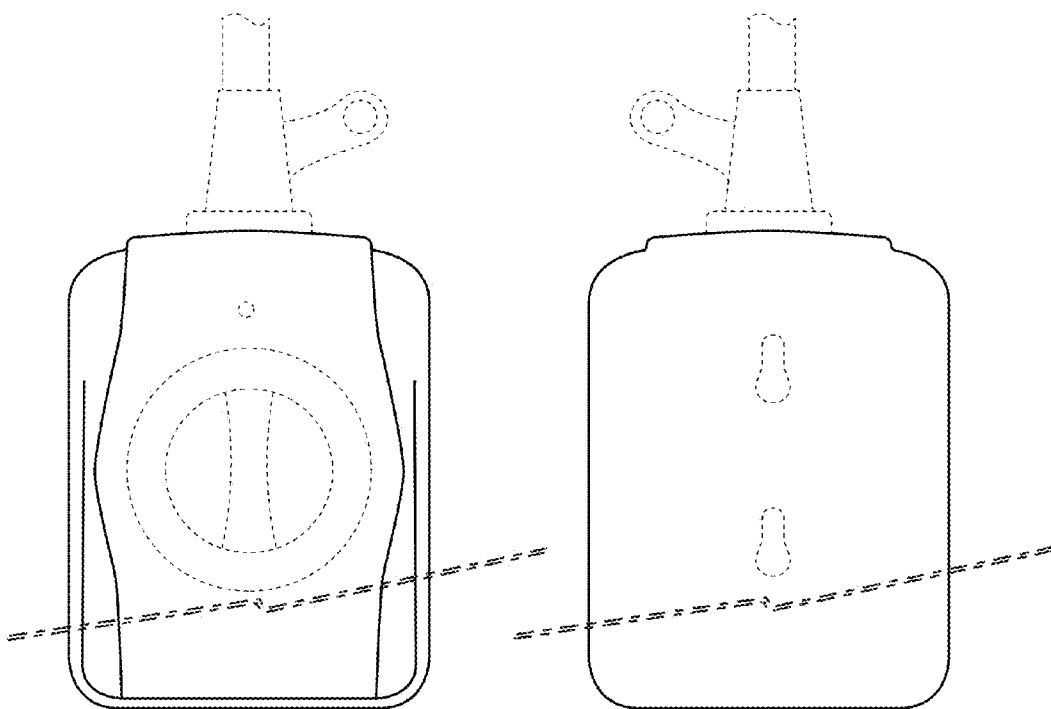


FIG. 2

FIG. 3

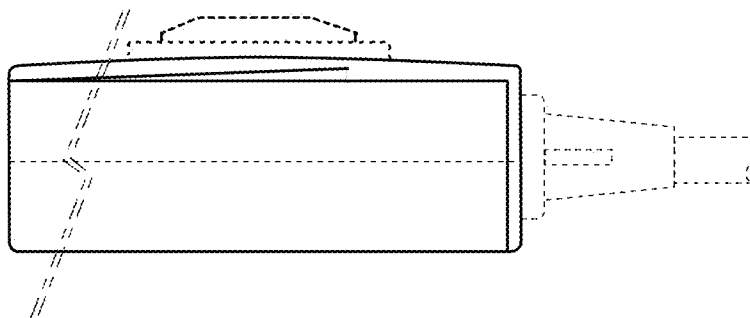


FIG. 4

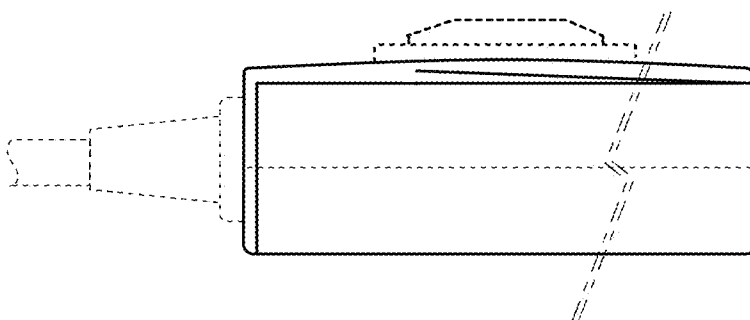


FIG. 5

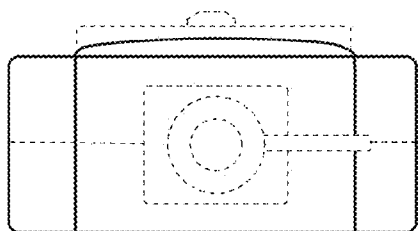


FIG. 6

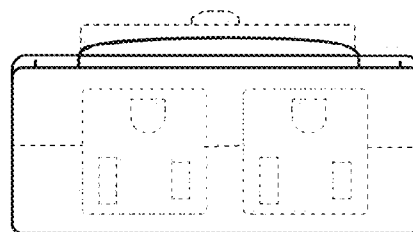


FIG. 7