

(12) **United States Design Patent**
Raichart

(10) **Patent No.:** **US D755,263 S**
(45) **Date of Patent:** **** May 3, 2016**

(54) **BUD TRIMMER**

(71) Applicant: **Cullen Raichart**, San Diego, CA (US)

(72) Inventor: **Cullen Raichart**, San Diego, CA (US)

(**) Term: **14 Years**

(21) Appl. No.: **29/498,939**

(22) Filed: **Aug. 8, 2014**

(51) **LOC (10) Cl.** **15-09**

(52) **U.S. Cl.**
USPC **D15/126; D7/414**

(58) **Field of Classification Search**
USPC D15/124–143, 28–29, 9, 17; D10/64,
D10/65; D8/70, 8, 66, 23, 16, 52, 60;
D7/412, 414; 241/277
CPC B23D 45/044–45/048; B21D 17/04;
B23K 7/006; B23B 5/162; B23B 5/163;
B24D 7/06; B24D 7/12; B24D 9/08; B28B
3/269; A01G 17/00–17/026; A01G 5/00
See application file for complete search history.

(56) **References Cited**

U.S. PATENT DOCUMENTS

579,414	A *	3/1897	Vance	451/546
D31,680	S *	10/1899	Hopkins	D7/414
809,254	A *	1/1906	Golden	451/241
1,248,330	A *	11/1917	Huish et al.	56/295
2,749,681	A *	6/1956	Reidenbach	451/527
D319,556	S *	9/1991	Purkapile	D7/414
5,224,656	A *	7/1993	Kobayashi et al.	241/21

D401,822	S *	12/1998	Pearlman	D8/20
6,053,223	A *	4/2000	Kilpelainen et al.	144/176
6,299,522	B1 *	10/2001	Lee	451/548
D466,912	S *	12/2002	Lee	D15/126
6,665,943	B1 *	12/2003	Sloane et al.	30/276
D549,539	S *	8/2007	Walters	D8/70
D668,912	S *	10/2012	Haggerty et al.	D7/412
D696,320	S *	12/2013	Sjoberg et al.	D15/143
2007/0069056	A1 *	3/2007	Shouse et al.	241/277
2012/0279193	A1 *	11/2012	Mosman	56/233
2013/0240417	A1 *	9/2013	Kelly	209/288
2015/0047485	A1 *	2/2015	Schroeder	83/104

* cited by examiner

Primary Examiner — Susan Bennett Hattan

Assistant Examiner — Brett Miller

(74) *Attorney, Agent, or Firm* — Buche & Associates, P.C.;
John K. Buche; Bryce A. Johnson

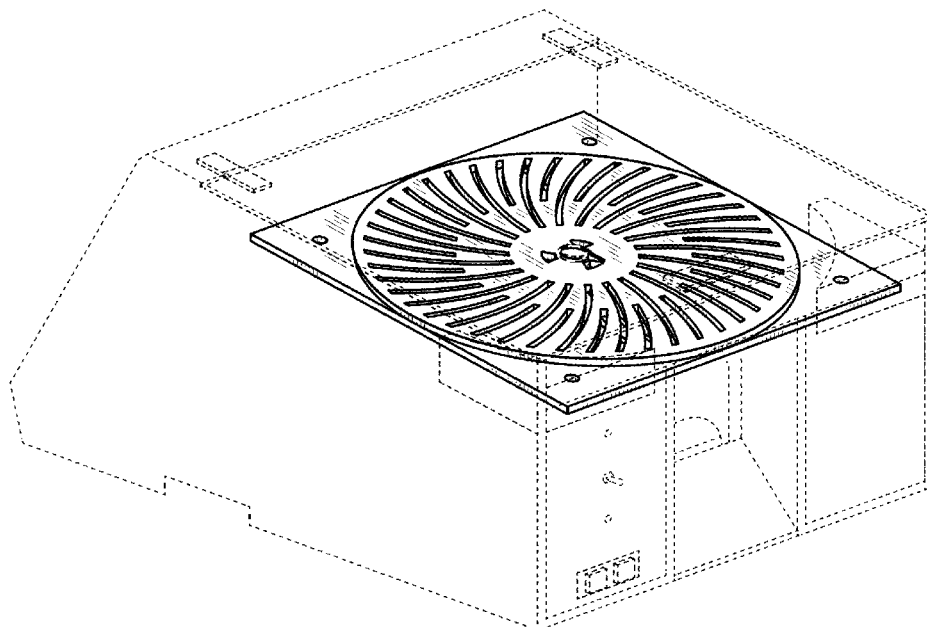
(57) **CLAIM**

A bud trimmer, as shown and described.

DESCRIPTION

FIG. 1 is a perspective view of a bud trimmer.
FIG. 2 is a front view of the trimmer of FIG. 1.
FIG. 3 is a rear view of the trimmer of FIG. 1.
FIG. 4 is a left side view of the trimmer of FIG. 1.
FIG. 5 is a right side view of the trimmer of FIG. 1.
FIG. 6 is a top view of the trimmer of FIG. 1.
FIG. 7 is a bottom view of the trimmer of FIG. 1; and,
FIG. 8 is an exploded view of the trimmer of FIG. 1.
The broken lines depict portions of the bud trimmer that form
no part of the claimed design.

1 Claim, 8 Drawing Sheets



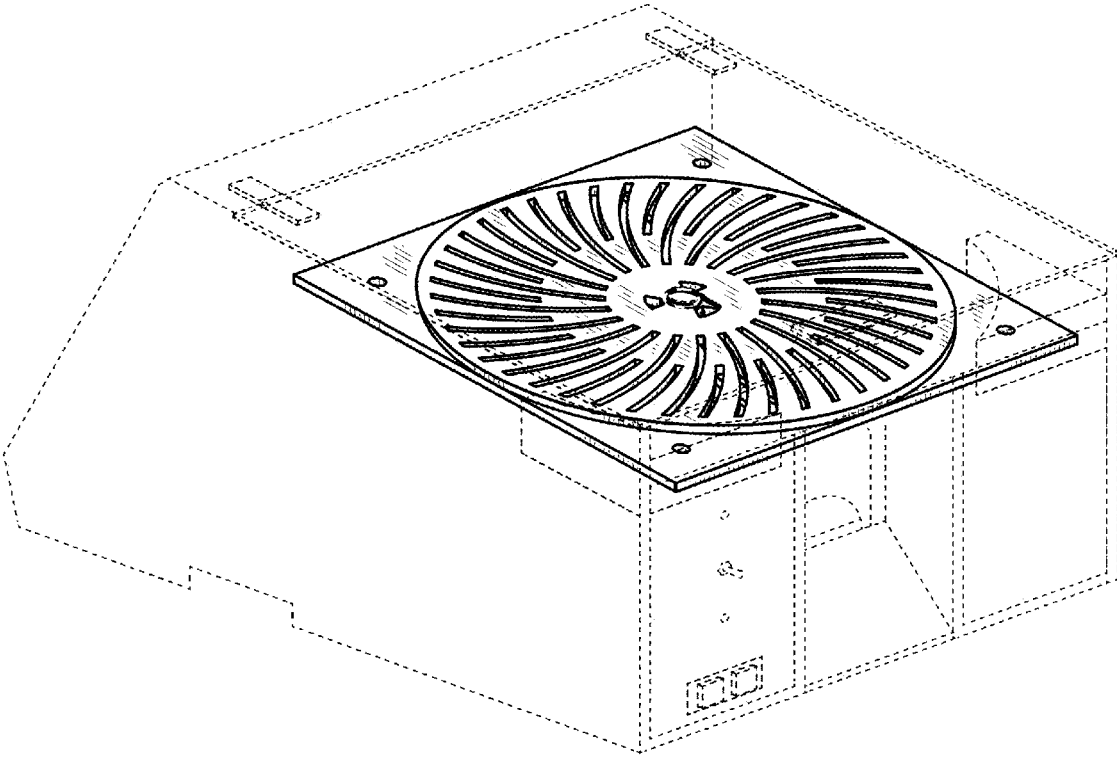


FIG. 1

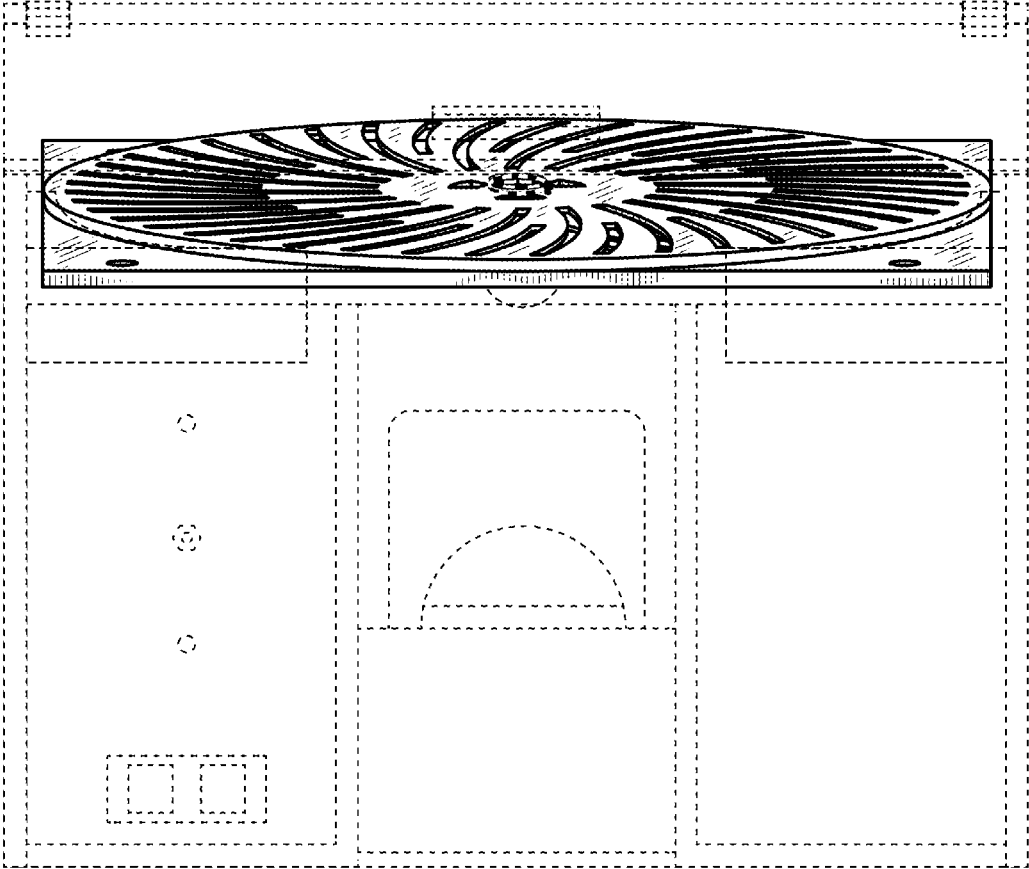


FIG. 2

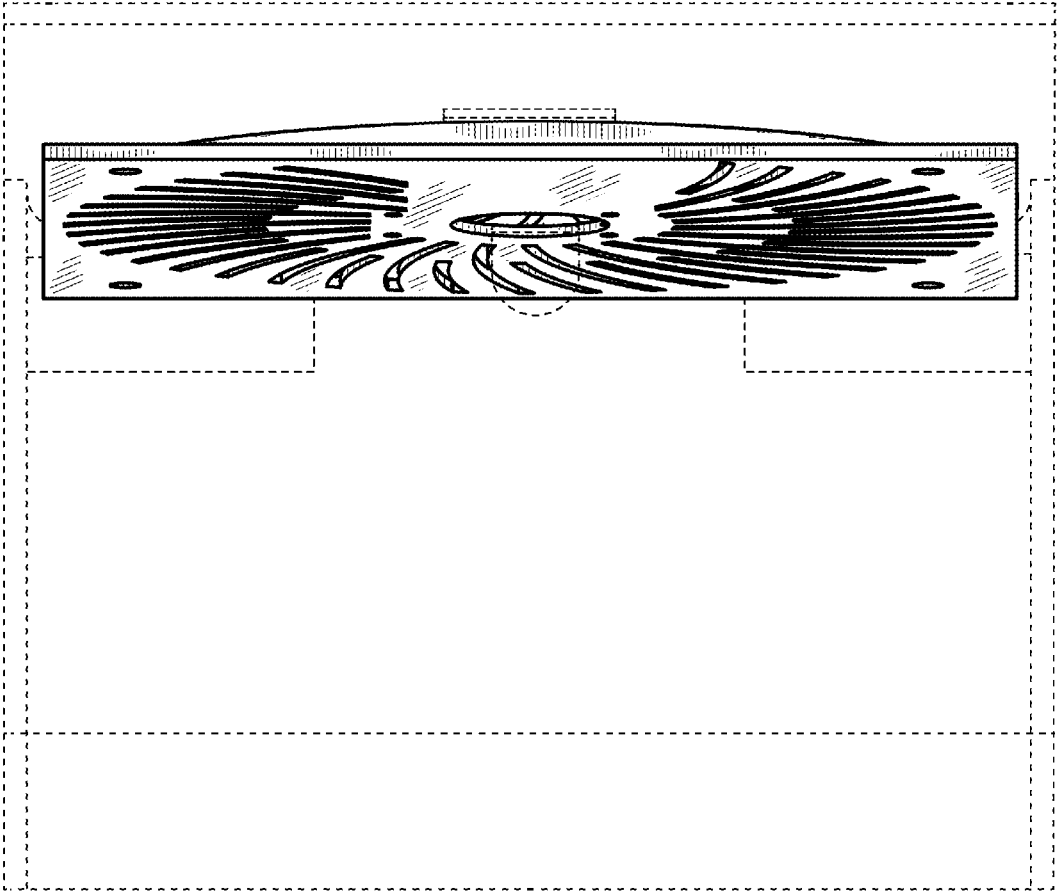


FIG. 3

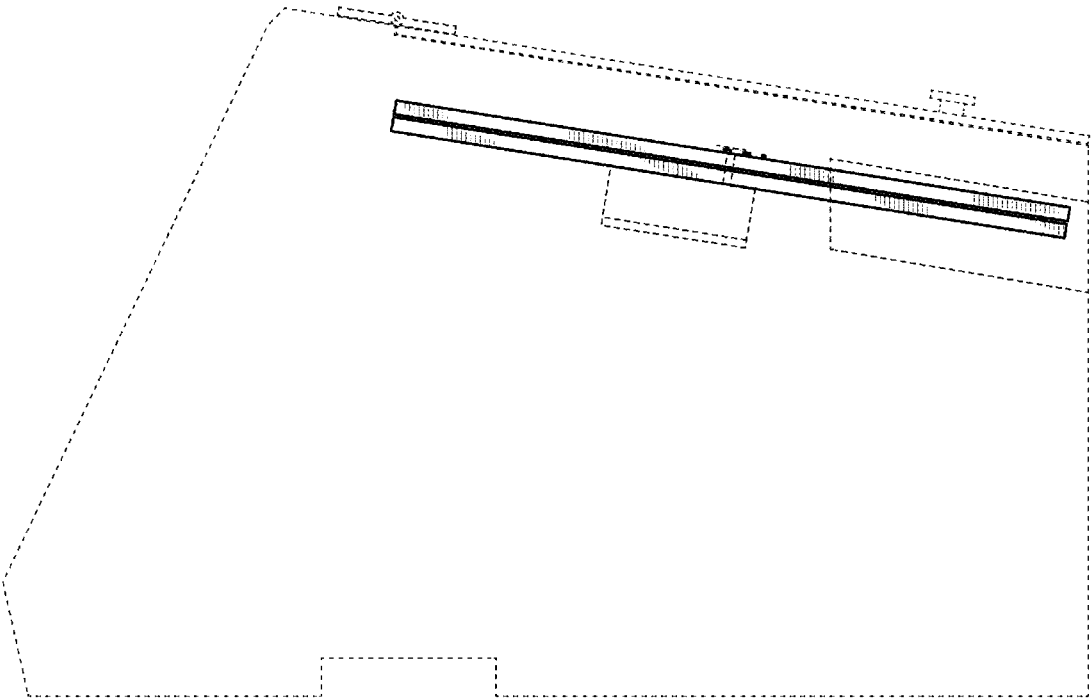


FIG. 4

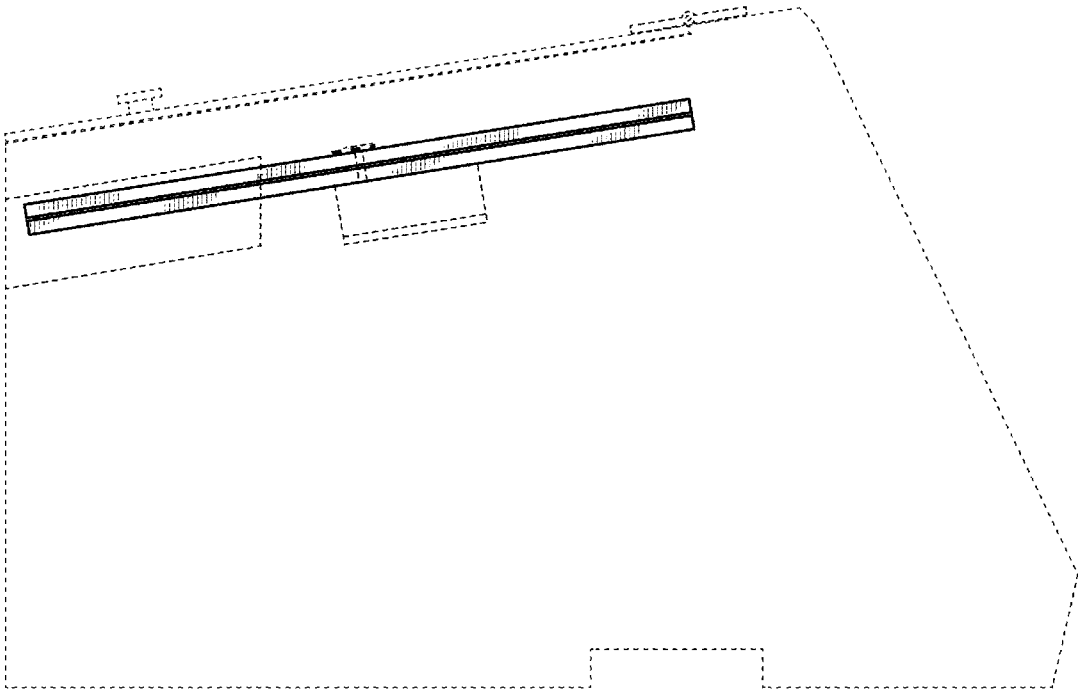


FIG. 5

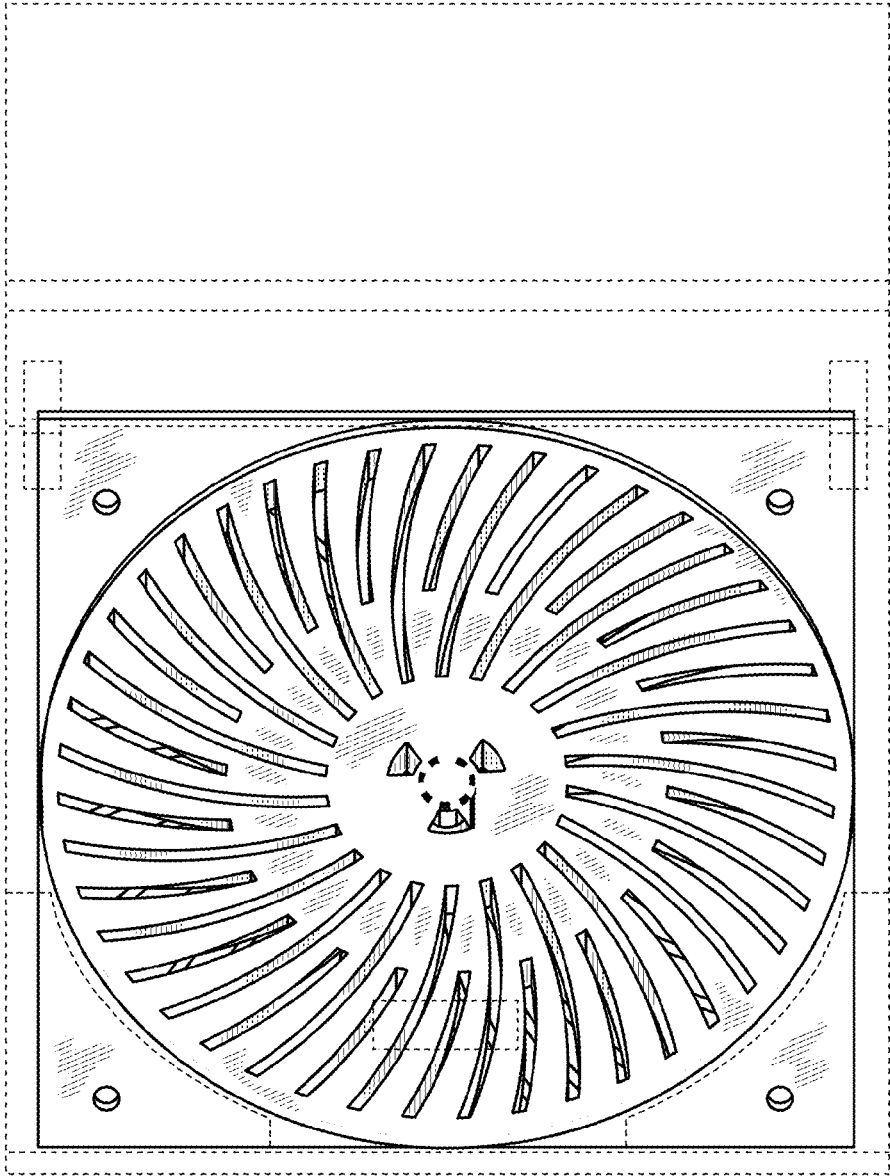


FIG. 6

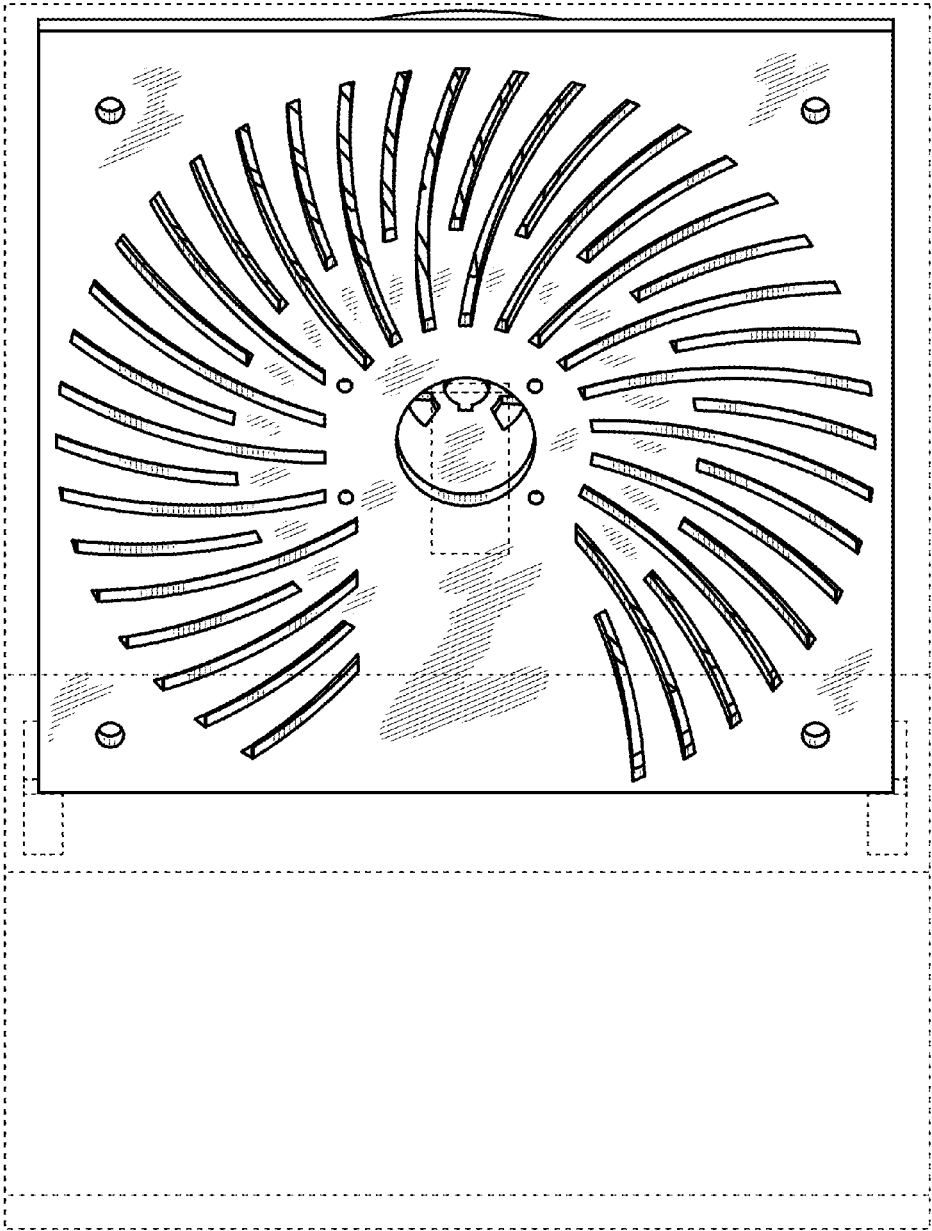


FIG. 7

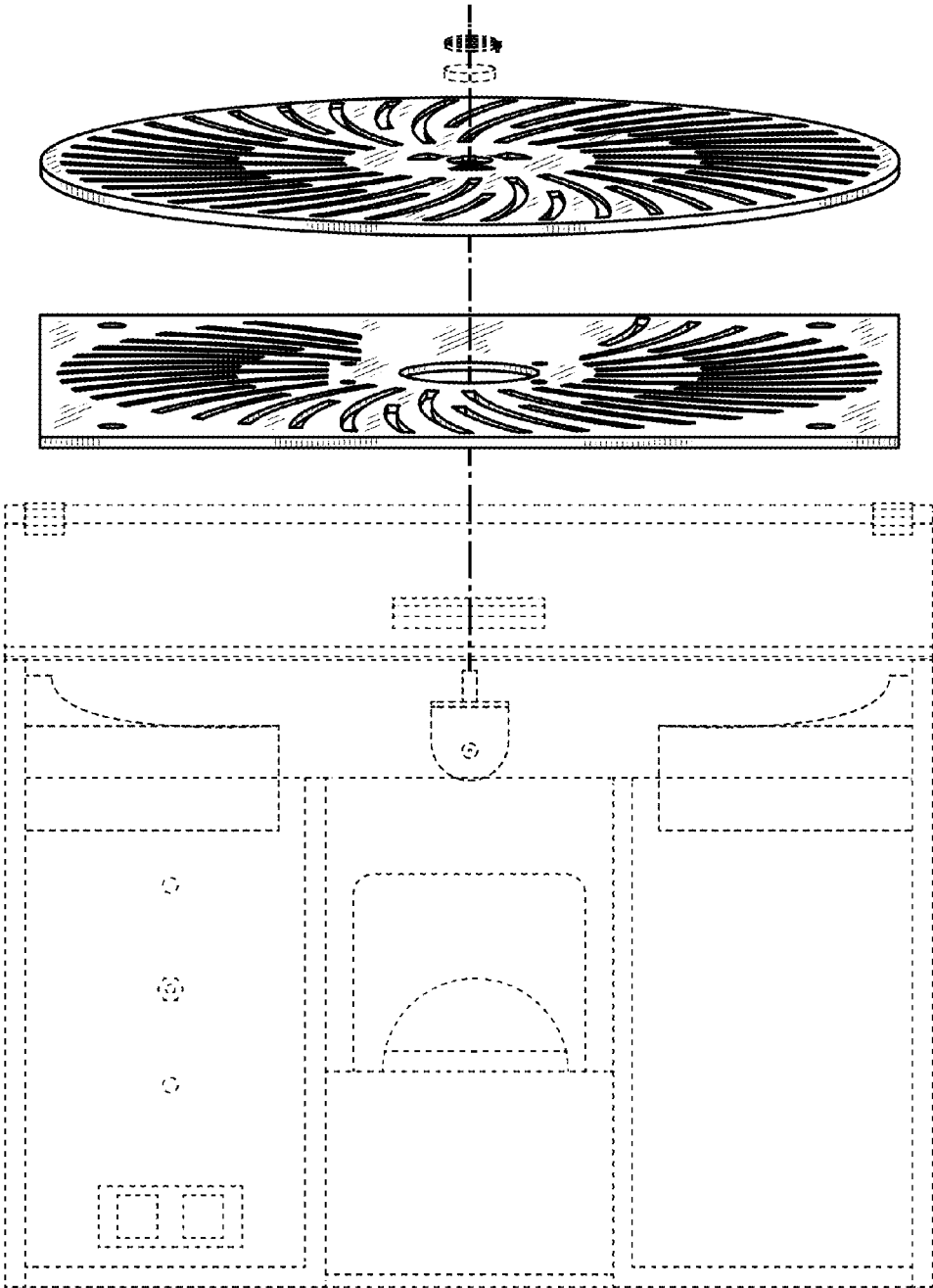


FIG. 8