



US00D755648S

(12) **United States Design Patent**
Bing et al.

(10) **Patent No.:** **US D755,648 S**

(45) **Date of Patent:** **** May 10, 2016**

(54) **TIMER**

D582,797 S * 12/2008 Fraser D10/40
D621,285 S * 8/2010 Stekelenburg D10/40
8,314,517 B2 * 11/2012 Simard G04C 23/347
307/140

(71) Applicant: **Prime Wire & Cable, Inc.**, La Jolla, CA
(US)

(Continued)

(72) Inventors: **Qin Bing**, Ningbo (CN); **Cynthia Marvel**, Mooresville, NC (US); **Jeff Millar-Sax**, Yucaipa, CA (US)

Primary Examiner — Martie K Holtje
(74) *Attorney, Agent, or Firm* — Buche & Associates, P.C.;
John K. Buche; Bryce A. Johnson

(**) Term: **14 Years**

(57) **CLAIM**
The ornamental design for a timer, as shown and described.

(21) Appl. No.: **29/494,467**

DESCRIPTION

(22) Filed: **Jun. 20, 2014**

FIG. 1 is a right front perspective view of a first embodiment of a timer showing our new design.

(51) **LOC (10) Cl.** **10-03**

FIG. 2 is a front elevational view thereof.

(52) **U.S. Cl.**
USPC **D10/40**

FIG. 3 is a rear elevational view thereof.

(58) **Field of Classification Search**
USPC D10/40
CPC G04G 15/00; G04G 15/006; H01H 43/00;
H01H 43/02; H01H 43/022; H01H 43/04;
H05B 37/00; H05B 37/02; H05B 37/0281;
G04C 23/00; G04C 23/34; G04C 23/347
See application file for complete search history.

FIG. 4 is a right-side elevational view thereof.

FIG. 5 is a left-side elevational view thereof.

FIG. 6 is a top plan view thereof.

FIG. 7 is a bottom plan view thereof.

FIG. 8 is a right front perspective view of a second embodiment of our design of FIG. 1.

FIG. 9 is a front elevational view of FIG. 8.

FIG. 10 is a rear elevational view of FIG. 8.

FIG. 11 is a right-side elevational view of FIG. 8.

FIG. 12 is a left-side elevational view of FIG. 8.

FIG. 13 is a top plan view of FIG. 8.

FIG. 14 is a bottom plan view of FIG. 8.

FIG. 15 is a right front perspective view of a third embodiment of our design of FIG. 1.

FIG. 16 is a front elevational view of FIG. 15.

FIG. 17 is a rear elevational view of FIG. 15.

FIG. 18 is a right-side elevational view of FIG. 15.

FIG. 19 is a left-side elevational view of FIG. 15.

FIG. 20 is a top plan view of FIG. 15; and,

FIG. 21 is a bottom plan view of FIG. 15.

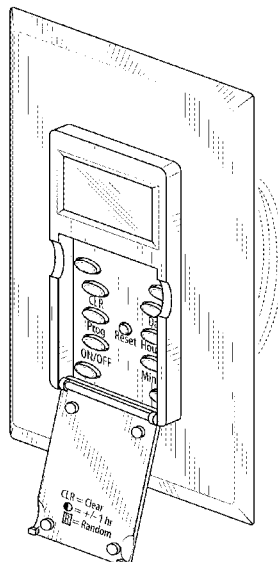
In the figures, features of the timer drawn in broken lines form no part of the claimed design.

(56) **References Cited**

U.S. PATENT DOCUMENTS

D278,415	S	*	4/1985	Fenne	D10/40
D310,992	S		10/1990	Rosenbaum et al.		
5,160,853	A		11/1992	Simon et al.		
D430,497	S		9/2000	Michaels		
6,121,889	A		9/2000	Janda et al.		
D435,523	S		12/2000	Ciornei et al.		
D455,359	S		4/2002	Stekelenburg		
D500,686	S	*	1/2005	Stekelenburg	D10/40
D500,687	S	*	1/2005	Morrison	D10/40
D533,512	S	*	12/2006	Nakashima	D13/164
D575,646	S		8/2008	Ni et al.		

1 Claim, 15 Drawing Sheets



US D755,648 S

Page 2

(56)

References Cited

U.S. PATENT DOCUMENTS

8,344,667	B1 *	1/2013	King	H05B 37/02	315/186	2004/0206609	A1	10/2004	Tilley	
8,446,263	B2 *	5/2013	King	H05B 37/0281	340/309.16	2005/0242753	A1 *	11/2005	Morrison H01H 43/00
											315/360
							2006/0125324	A1 *	6/2006	Lai Lui H01H 43/00
											307/141.4
							2011/0062896	A1 *	3/2011	Chou G04G 15/006
											315/362

* cited by examiner

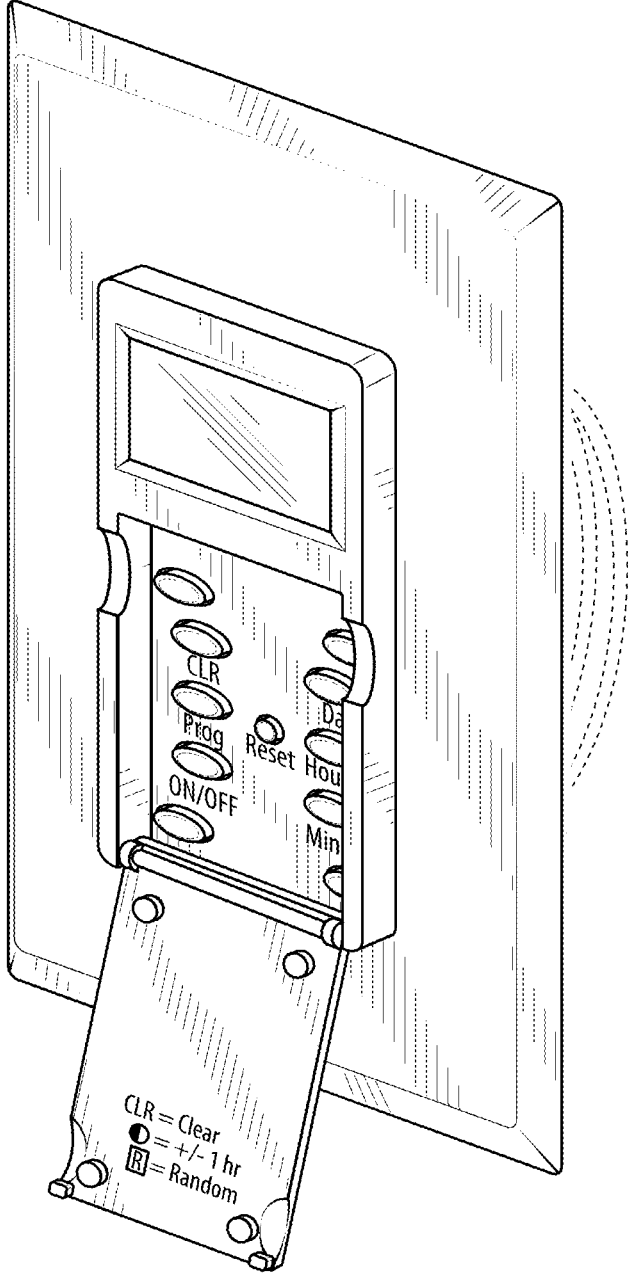


FIG. 1

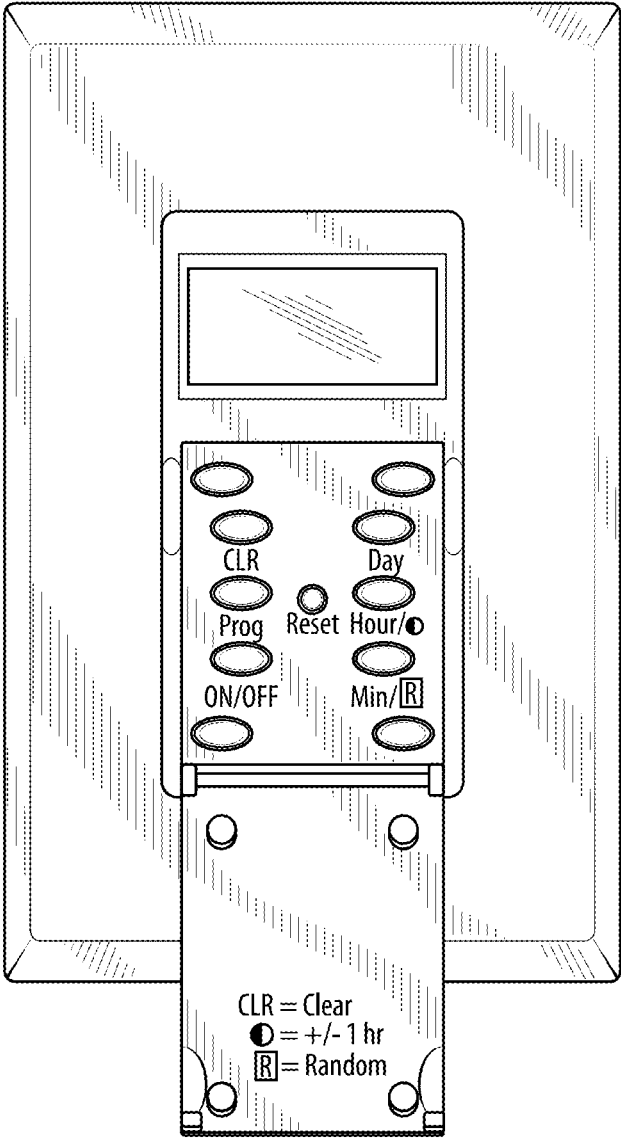


FIG. 2

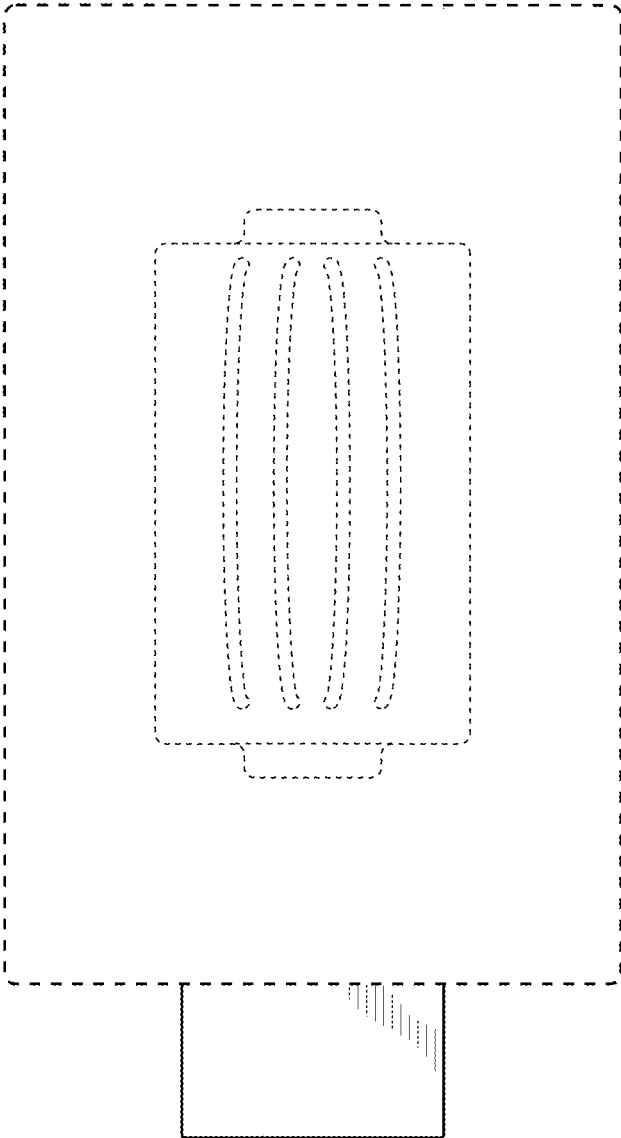


FIG. 3

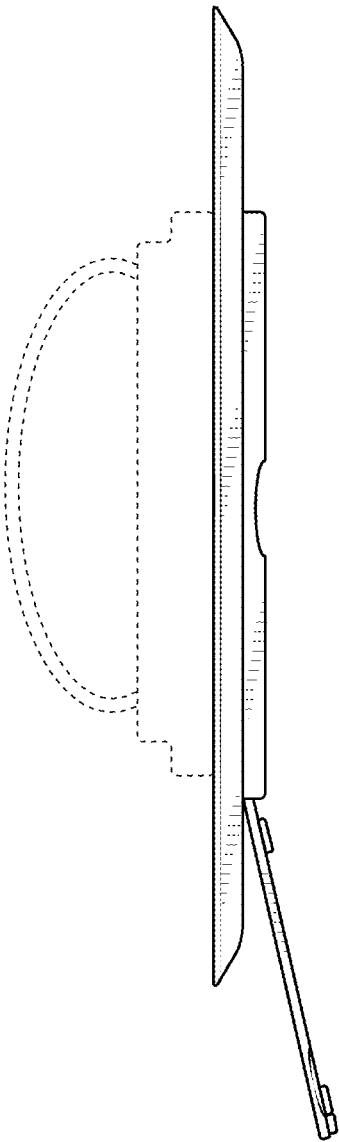


FIG. 4

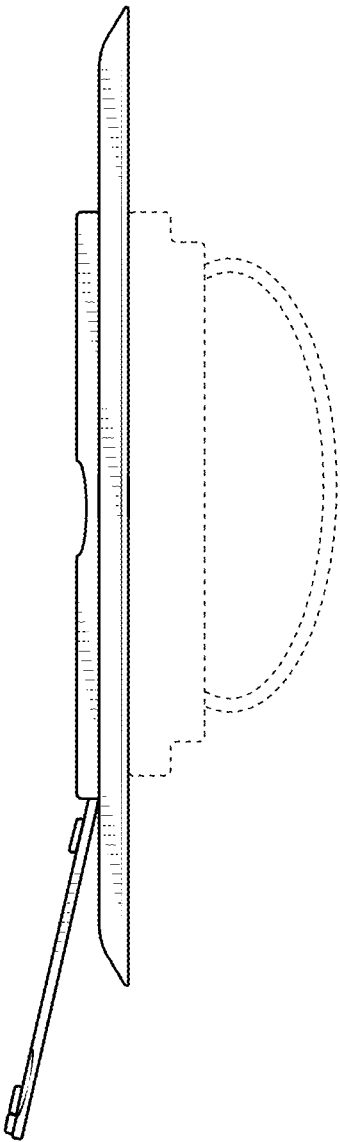


FIG. 5

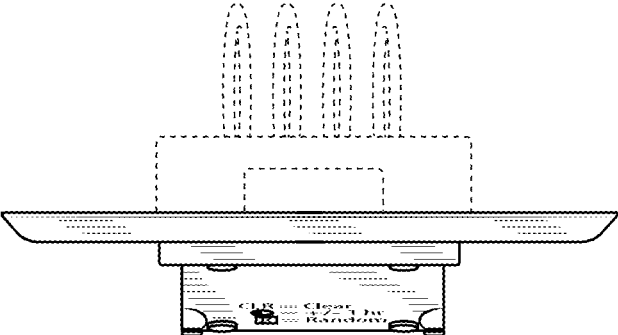


FIG. 6

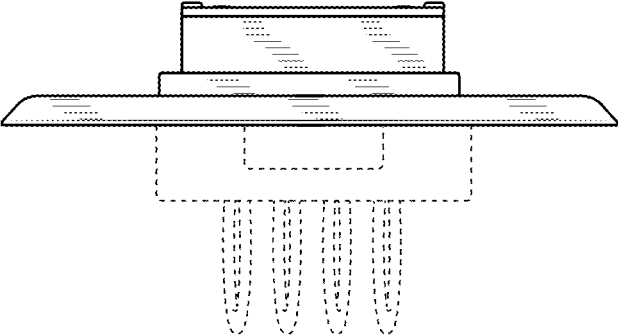


FIG. 7

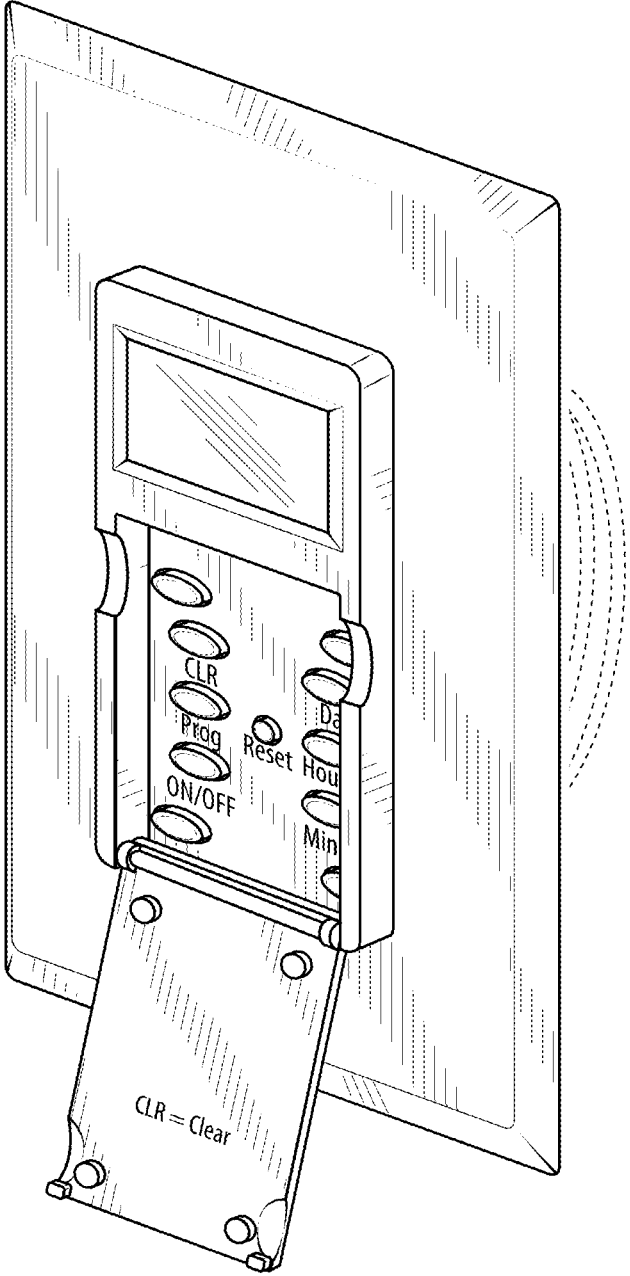


FIG. 8

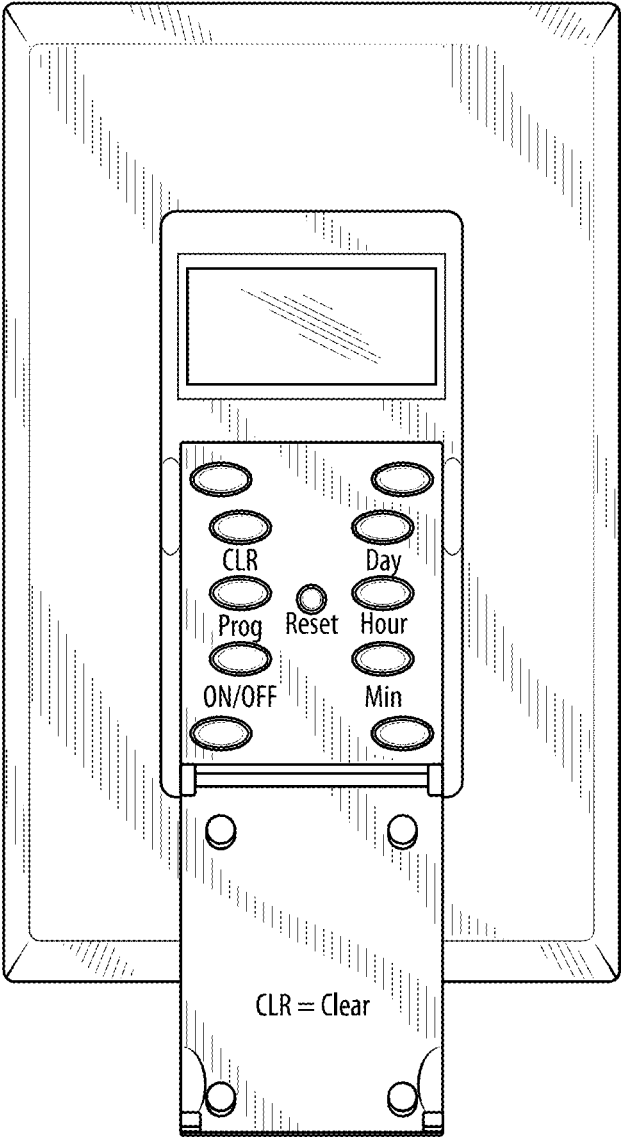


FIG. 9

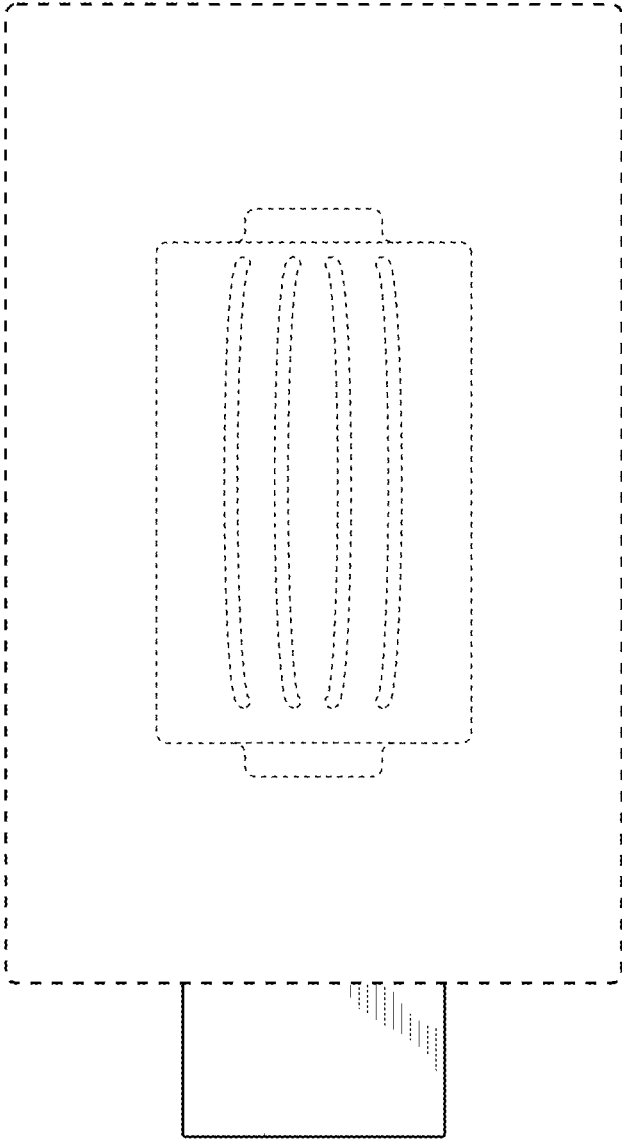


FIG. 10

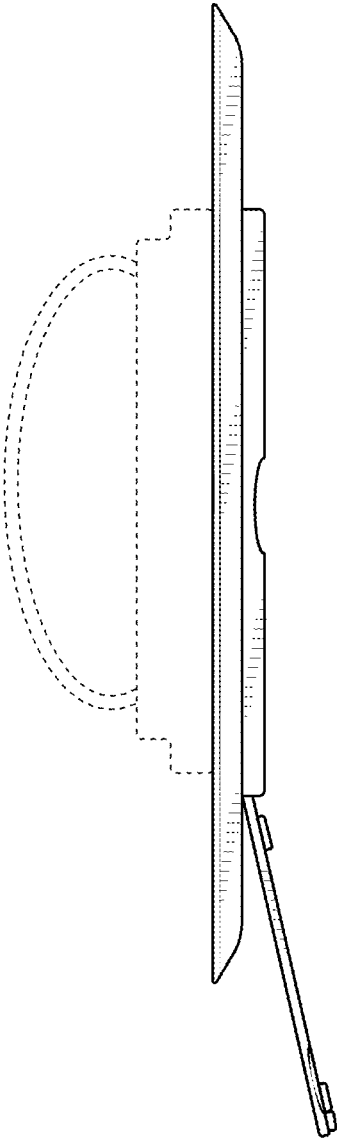


FIG. 11

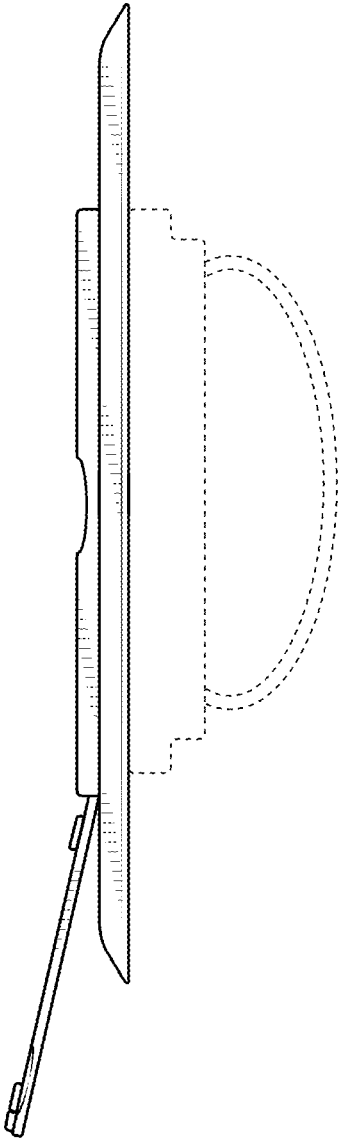


FIG. 12

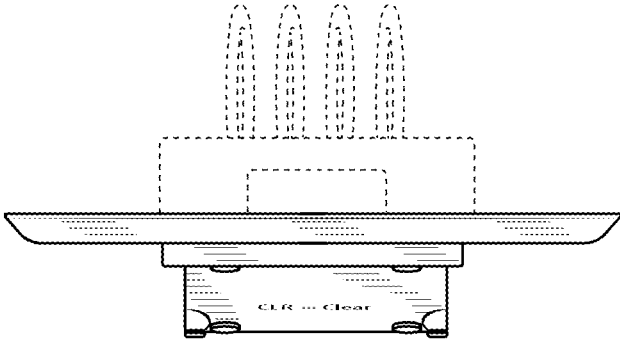


FIG. 13

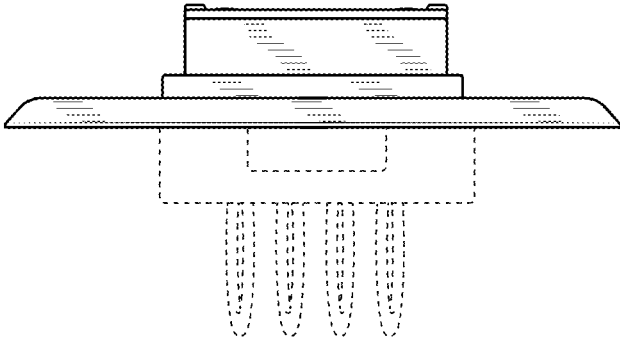


FIG. 14

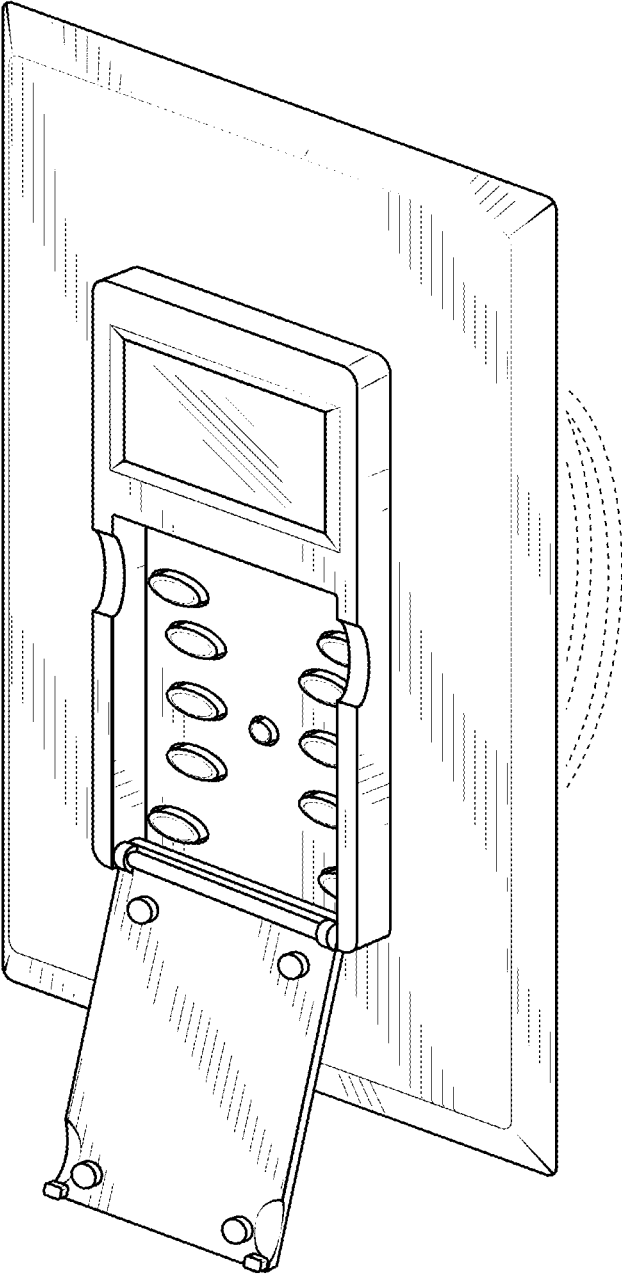


FIG. 15

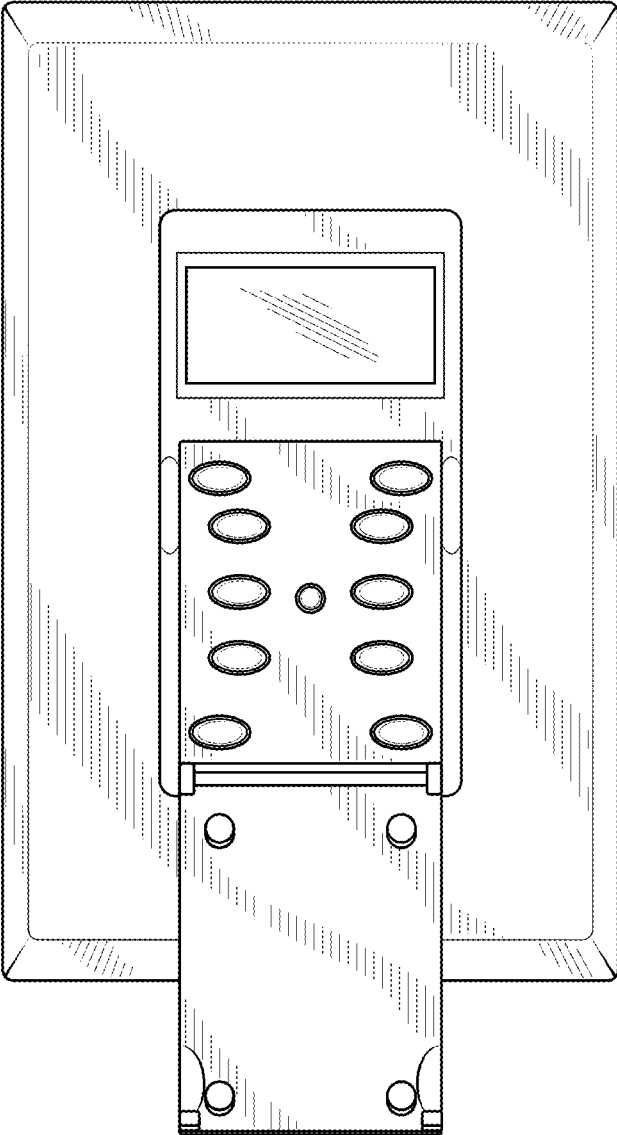


FIG. 16

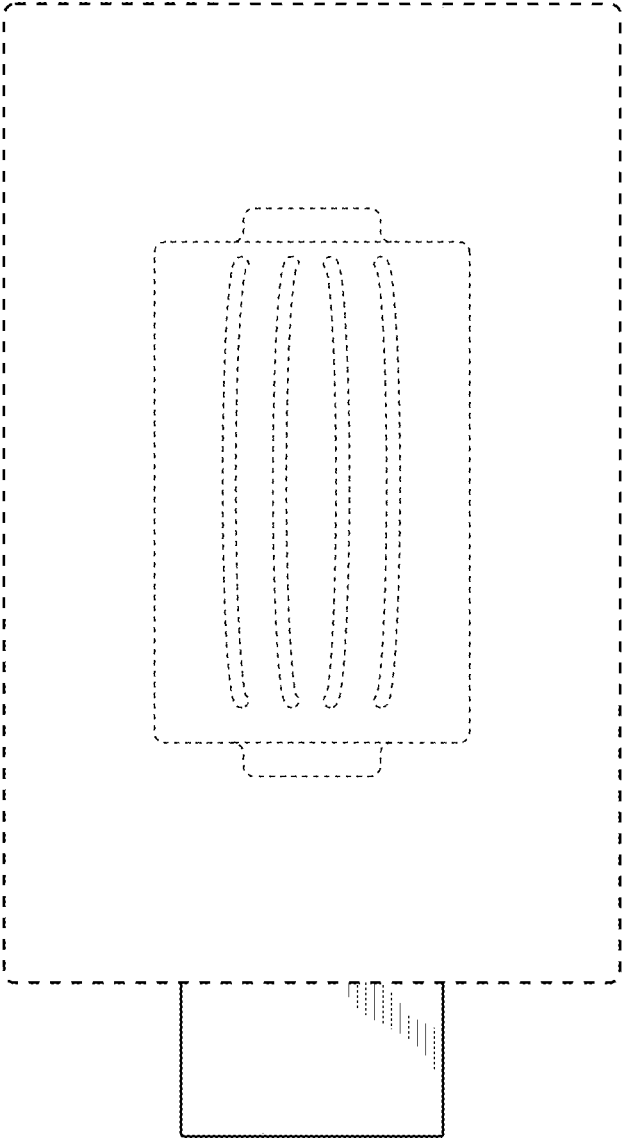


FIG. 17

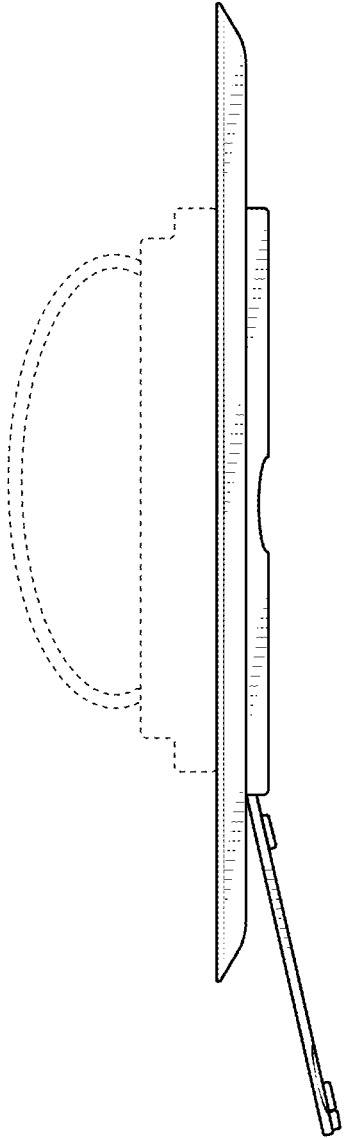


FIG. 18

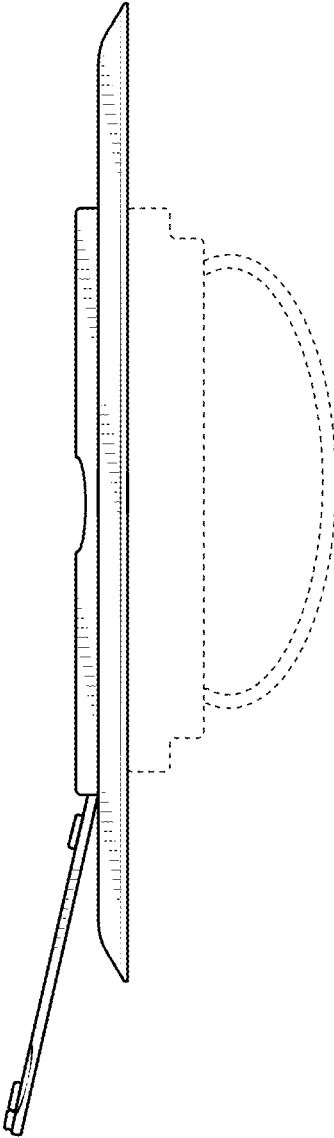


FIG. 19

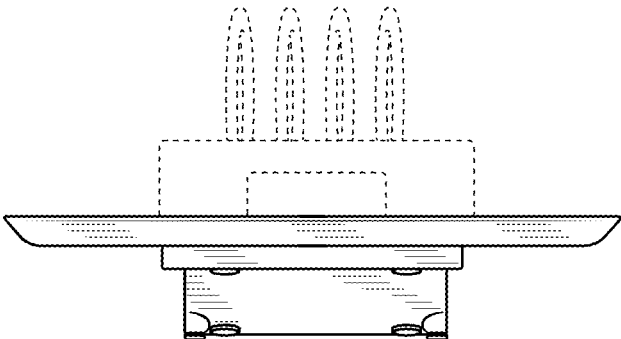


FIG. 20

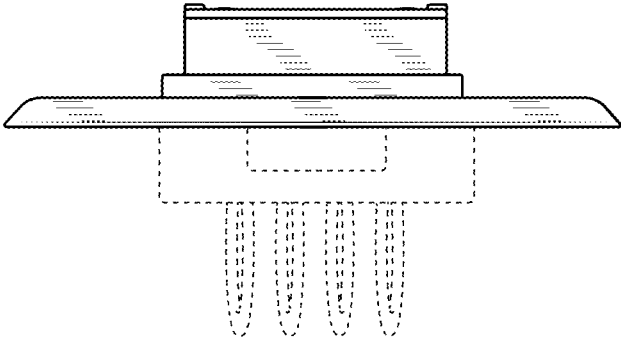


FIG. 21