



(12) **United States Design Patent**  
**Calley et al.**

(10) **Patent No.:** **US D774,990 S**  
(45) **Date of Patent:** **\*\* Dec. 27, 2016**

(54) **MOTORCYCLE GUARD**

(71) Applicants: **Jason Calley**, Kingwood, TX (US);  
**Mikael Smith**, Kingwood, TX (US)  
(72) Inventors: **Jason Calley**, Kingwood, TX (US);  
**Mikael Smith**, Kingwood, TX (US)

(\*\*) Term: **15 Years**

(21) Appl. No.: **29/534,428**

(22) Filed: **Jul. 28, 2015**

(51) **LOC (10) Cl.** ..... **12-11**

(52) **U.S. Cl.**  
USPC ..... **D12/126**

(58) **Field of Classification Search**  
USPC ..... D12/110, 114, 117, 118, 126; D8/354,  
D8/394, 396; D23/262-265; 29/525.02;  
280/276, 279, 304.3  
CPC ..... B62K 25/02; B62J 23/00  
See application file for complete search history.

(56) **References Cited**

**U.S. PATENT DOCUMENTS**

629,667	A	7/1899	Denbigh	
3,762,982	A *	10/1973	Whittington	F16L 11/12 138/110
4,105,220	A *	8/1978	Pacific	B62J 23/00 280/304.4
4,138,132	A *	2/1979	Doyle	B62J 23/00 264/163
D298,802	S *	12/1988	Tekirian	D8/396
D313,774	S *	1/1991	Hauer	D12/126
5,183,281	A *	2/1993	Stephens	B62K 21/02 280/279
D341,343	S *	11/1993	Netz	D12/126
5,397,146	A *	3/1995	Fischer	B62J 23/00 280/288.4
5,687,773	A	11/1997	Ryan et al.	
6,419,039	B1 *	7/2002	Wagner	B62J 27/00 180/219

(Continued)

**OTHER PUBLICATIONS**

"19 Most Wanted Frame Guards." Motorcycle Product Reviews., Jul. 29, 2015 [online], [retrieved on Aug. 15, 2016]. Retrieved from the Internet <URL: <http://www.motorcycleproductsreviews.com/19-most-wanted-frame-guards/>>.\*

(Continued)

*Primary Examiner* — Darlington Ly  
(74) *Attorney, Agent, or Firm* — Buche & Associates, P.C.; John K. Buche; Scott D. Compton

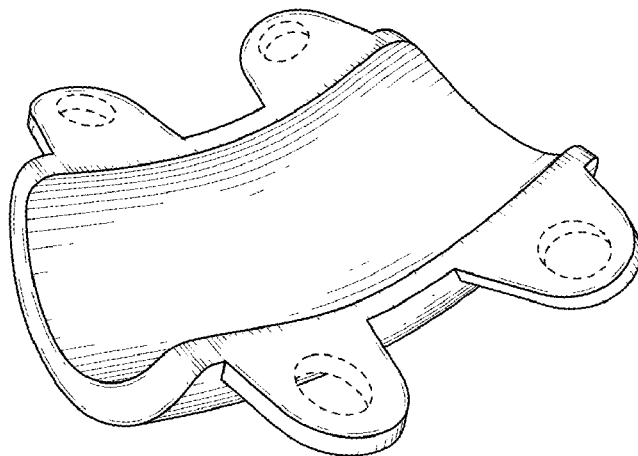
(57) **CLAIM**

The ornamental design for a motorcycle guard, as shown and described.

**DESCRIPTION**

FIG. 1 is a perspective top view of a motorcycle guard showing our new design;  
FIG. 2 is a bottom view thereof;  
FIG. 3 is a top view thereof;  
FIG. 4 is a right side view thereof, the left side being a mirror image thereof;  
FIG. 5 is a front view thereof, the back being a mirror image thereof;  
FIG. 6 is a top perspective view thereof, wherein the motorcycle guard is shown in conjunction with supporting environmental structure; and,  
FIG. 7 is a top and side perspective view thereof, wherein the motorcycle guard is shown installed on a motorcycle.  
In FIGS. 1-5, the broken lines showing the apertures illustrate portions of the motorcycle guard that forms no part of the claimed design. Additionally, in FIGS. 6 and 7, the broken lines showing the supporting structures and motorcycle are provided for the purposes of illustrating environmental structure and also forms no part of the claimed design.

**1 Claim, 3 Drawing Sheets**



(56)

**References Cited**

## U.S. PATENT DOCUMENTS

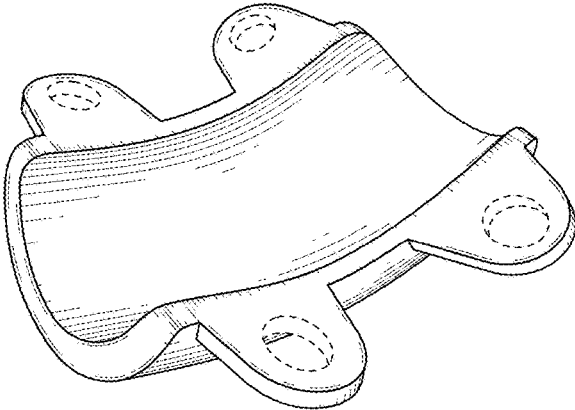
D491,112 S \* 6/2004 Francis ..... D12/126  
6,837,509 B2 1/2005 Welch et al.  
7,144,030 B2 \* 12/2006 Buell ..... B62J 27/00  
180/219  
D560,764 S \* 1/2008 Gibb ..... D23/265  
D587,347 S \* 2/2009 Madara ..... D23/265  
D598,077 S \* 8/2009 Gibb ..... D23/265  
D600,326 S \* 9/2009 Gibb ..... D23/265  
7,637,520 B2 \* 12/2009 Madden ..... B62K 25/08  
180/219  
D742,213 S \* 11/2015 Sasanecki ..... D8/396  
2004/0046359 A1 3/2004 Welch et al.  
2012/0091686 A1 \* 4/2012 Hutchinson ..... B62J 25/00  
280/291  
2012/0133115 A1 5/2012 Roziere et al.

## OTHER PUBLICATIONS

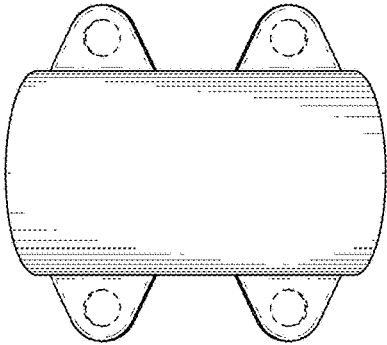
"KTM Frame Protection Decals (Orange) 16-17." KTM Parts., Jul. 10, 2015 [online], [retrieved on Aug. 15, 2016]. Retrieved from the Internet <URL: <http://www.ktm-parts.com/7940399400004.html>>.\*

"Shifter Sock Boot Shoe Protector Shift Cover Motorcycle." Bang Good., Jan. 4, 2015 [online], [retrieved on Aug. 15, 2016]. Retrieved from the Internet <URL: <http://www.banggood.com/Shifter-Sock-Boot-Shoe-Protector-Shift-Cover-Motorcycle-p-944514.html>>.\*

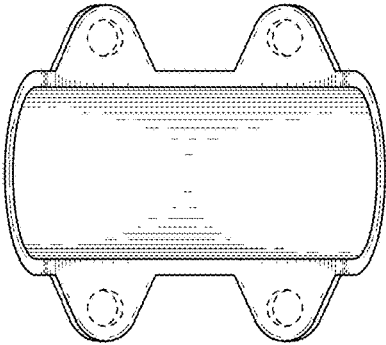
\* cited by examiner



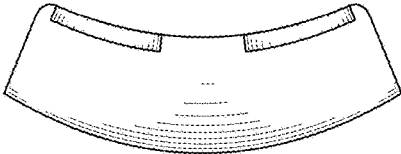
**FIG. 1**



**FIG. 2**



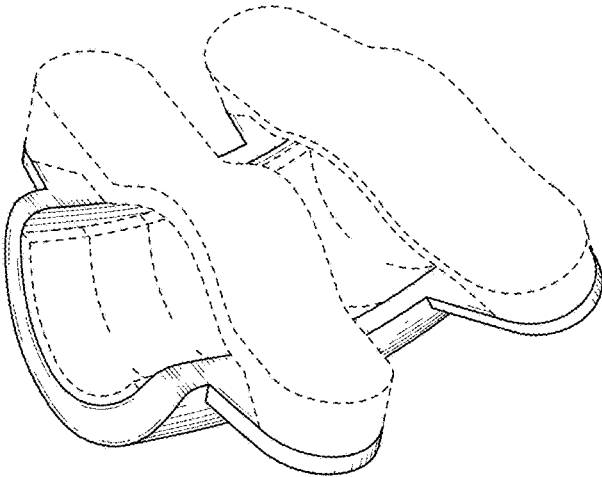
**FIG. 3**



**FIG. 4**



**FIG. 5**



**FIG. 6**

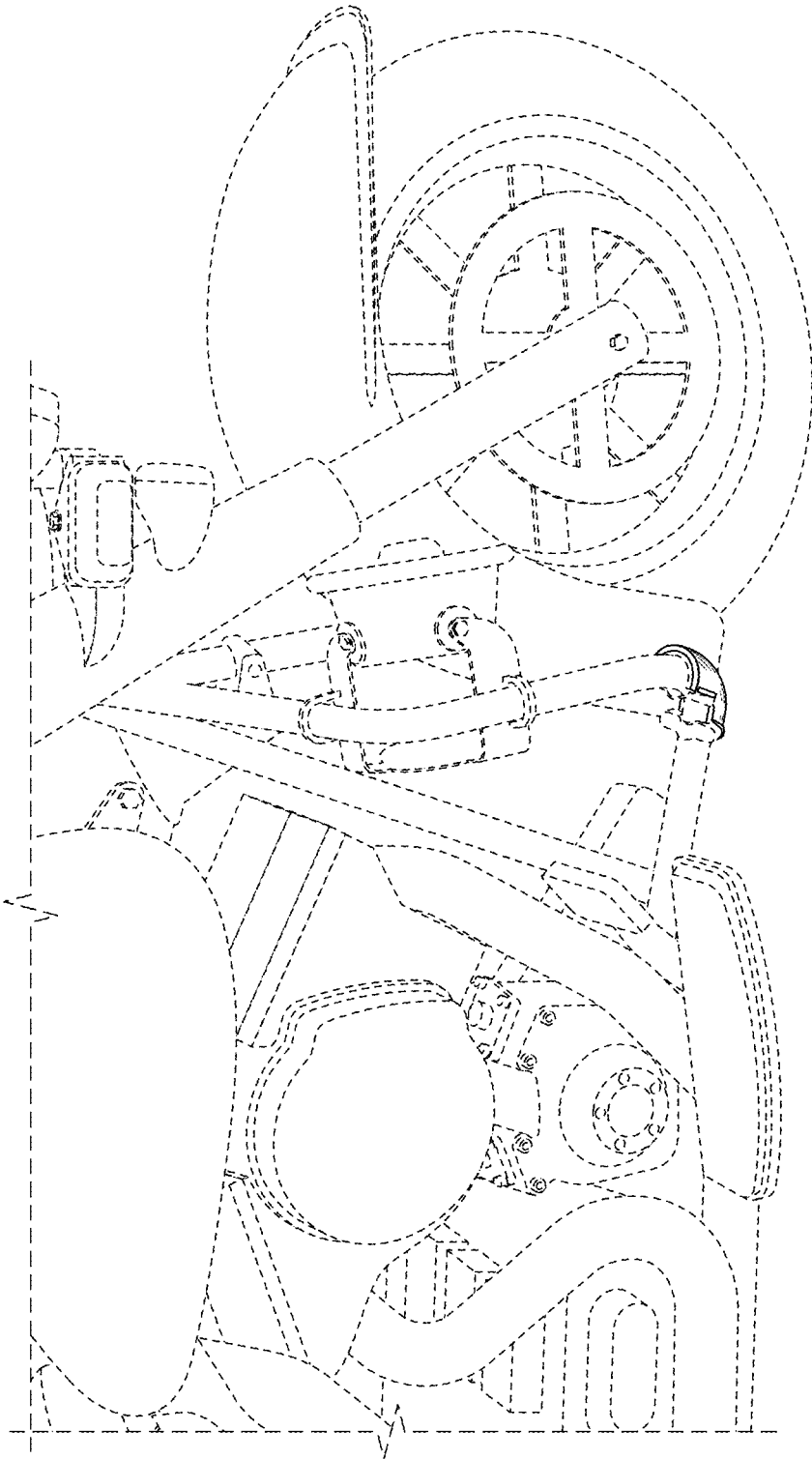


FIG. 7