



US00D783376S

(12) **United States Design Patent**
Crane

(10) **Patent No.:** **US D783,376 S**

(45) **Date of Patent:** **** Apr. 11, 2017**

(54) **GRENADE BOTTLE OPENER**

(71) Applicant: **Bottle Breacher, LLC**, Tucson, AZ
(US)

(72) Inventor: **Elijah Crane**, Tucson, AZ (US)

(**) Term: **15 Years**

(21) Appl. No.: **29/565,470**

(22) Filed: **May 20, 2016**

(51) **LOC (10) Cl.** **07-99**

(52) **U.S. Cl.**
USPC **D8/18**

(58) **Field of Classification Search**
USPC D8/13, 14, 16, 17, 18, 19, 38; D9/443,
D9/609, 660, 661; 102/334, 482, 486
CPC ... B67B 7/18; B67B 7/403; B67B 7/44; F24B
33/00
See application file for complete search history.

(56) **References Cited**

U.S. PATENT DOCUMENTS

3,492,945	A *	2/1970	Filippi	F42B 8/26 102/334
4,328,755	A *	5/1982	Frost	F42B 12/20 102/486
4,932,329	A *	6/1990	Logie	F42B 12/50 102/482
D434,332	S	11/2000	Sir	
7,040,236	B2 *	5/2006	Oh	F42B 33/00 102/482
7,322,296	B2 *	1/2008	Ellis	F42B 27/08 102/482
D562,623	S *	2/2008	Nybakke	D7/387
D573,516	S *	7/2008	Frazier	D12/162
D616,718	S *	6/2010	van der Lande	D3/210

D616,748	S *	6/2010	Nakamura	D9/443
D660,177	S	5/2012	Ferenc	
D662,425	S *	6/2012	Barratt	D22/112
D683,235	S	5/2013	Albert	
8,561,540	B1 *	10/2013	Lauch	F42C 15/188 102/258
D708,071	S *	7/2014	Auth	D9/680
D721,924	S *	2/2015	Trafton	D7/507

(Continued)

Primary Examiner — Manpreet Matharu
Assistant Examiner — Yolanda Robinson
(74) *Attorney, Agent, or Firm* — Buche & Associates,
P.C.; John K. Buche; Bryce A. Johnson

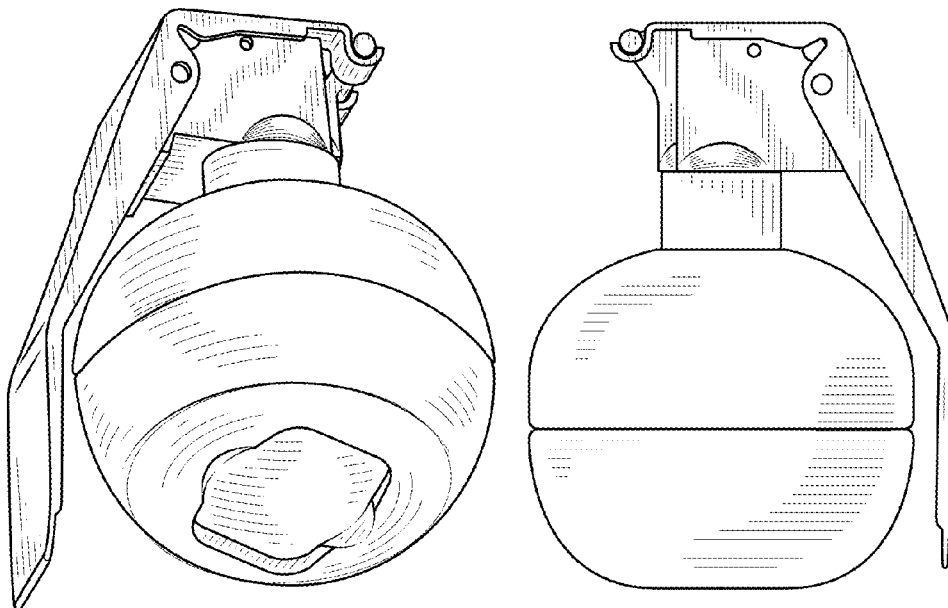
(57) **CLAIM**

I claim the ornamental design for a “grenade bottle opener,”
as shown and described.

DESCRIPTION

FIG. 1 is a perspective view of the grenade bottle opener;
FIG. 2 is a front view of the grenade bottle opener of FIG.
1;
FIG. 3 is a back view of the grenade bottle opener of FIG.
1;
FIG. 4 is a left side view of the grenade bottle opener of FIG.
1;
FIG. 5 is a right side view of the grenade bottle opener of
FIG. 1;
FIG. 6 is a top view of the grenade bottle opener of FIG. 1;
FIG. 7 is a bottom view of the grenade bottle opener of FIG.
1; and,
FIG. 8 is an environmental view of the grenade bottle opener
of FIG. 1 in use.
Broken lines illustrate unclaimed environmental features
and form no part of the claimed design.
The nature and intended use of the article in which the
design is embodied is for opening bottles.

1 Claim, 4 Drawing Sheets



(56)

References Cited

U.S. PATENT DOCUMENTS

9,010,250	B1 *	4/2015	Evangelisti	F42B 27/08 102/487
D741,156	S *	10/2015	LaFlair, Sr.	D8/374
D742,231	S *	11/2015	Auth	D9/443
D751,158	S *	3/2016	Rice	D21/707
D752,989	S *	4/2016	Shawishian	D9/680
D767,407	S *	9/2016	Newcomer	D9/680
2011/0306446	A1 *	12/2011	Frank	F42B 12/40 473/577
2013/0048592	A1 *	2/2013	Carley	B65D 1/0269 215/302

* cited by examiner

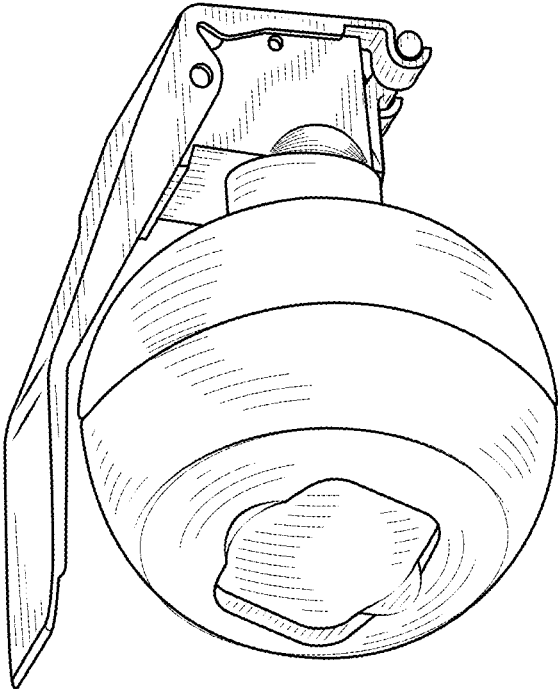


FIG. 1

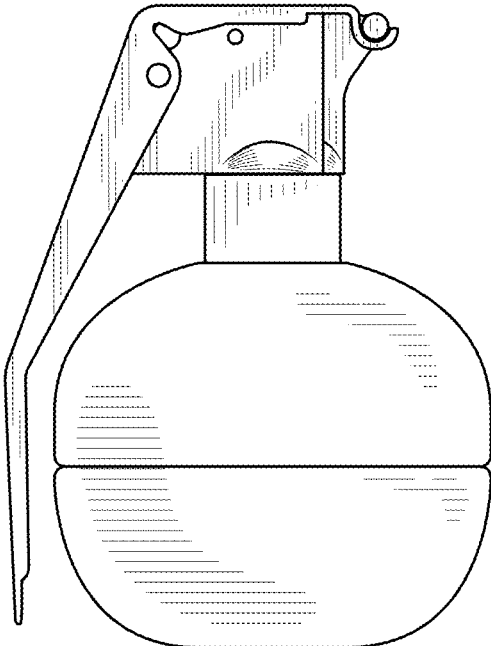


FIG. 2

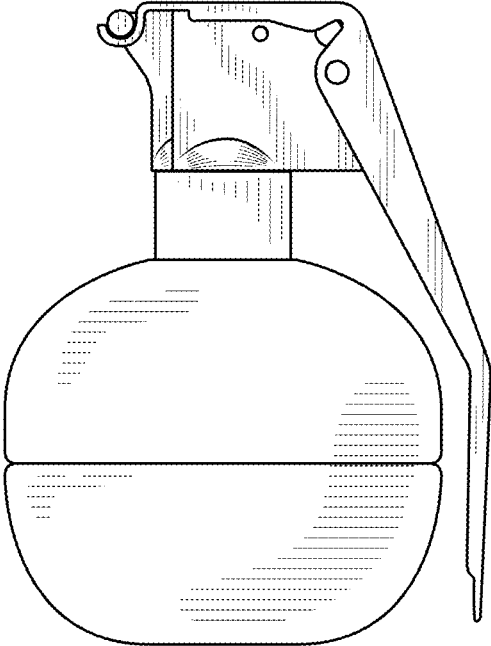


FIG. 3

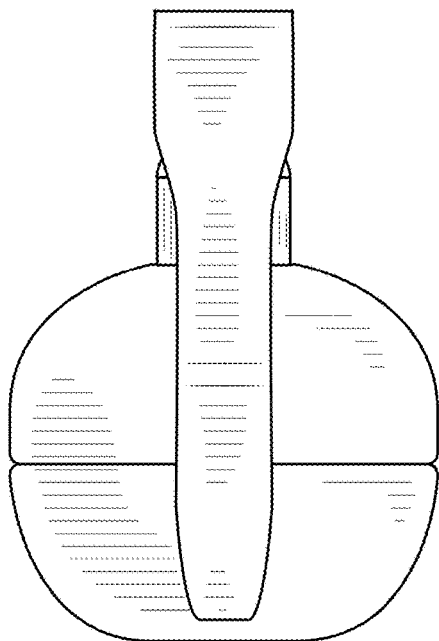


FIG. 4

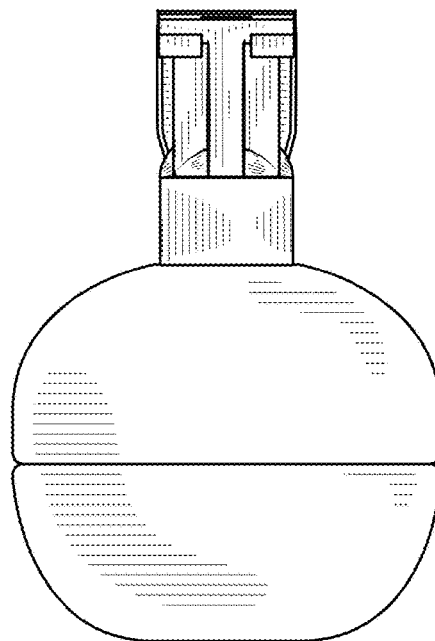


FIG. 5

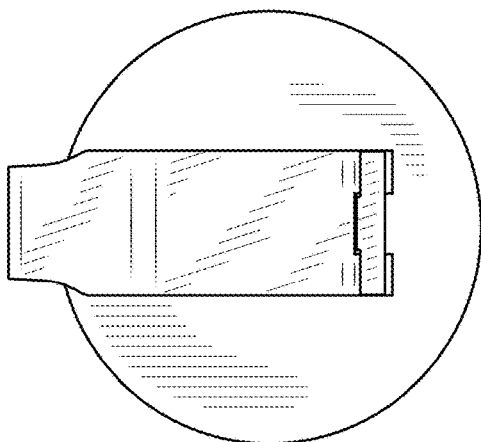


FIG. 6

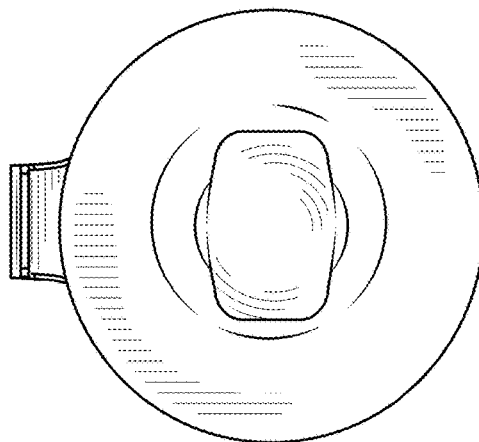


FIG. 7

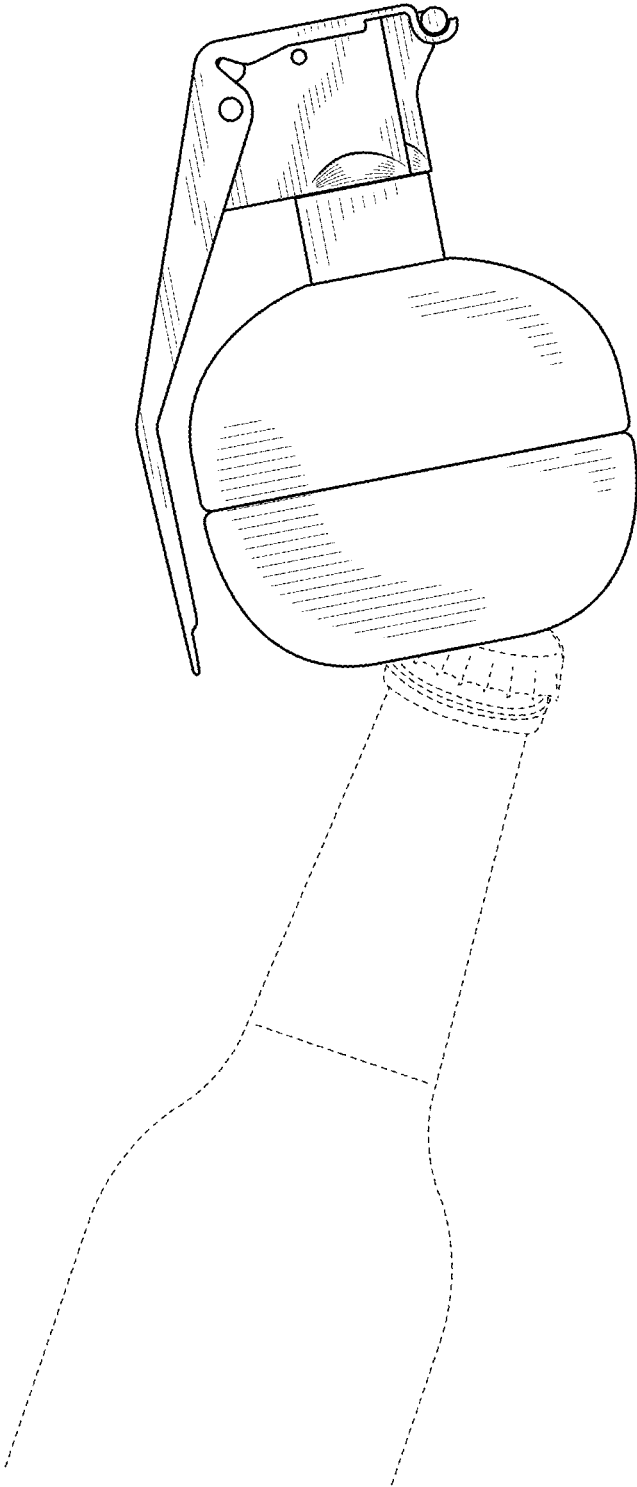


FIG. 8