



US00D795316S

(12) **United States Design Patent**
Raichart

(10) **Patent No.:** **US D795,316 S**

(45) **Date of Patent:** **** Aug. 22, 2017**

- (54) **BUD TRIMMER**
- (71) Applicant: **Cullen Raichart**, San Diego, CA (US)
- (72) Inventor: **Cullen Raichart**, San Diego, CA (US)
- (**) Term: **15 Years**
- (21) Appl. No.: **29/550,784**
- (22) Filed: **Jan. 7, 2016**

D252,202	S	*	6/1979	Sakamoto	D18/54
D269,346	S	*	6/1983	LaBarbera	D18/55
D306,303	S	*	2/1990	Takeda	D15/145
D308,386	S	*	6/1990	Munson	D15/127
D319,556	S		9/1991	Purkapile		
5,224,656	A		7/1993	Kobayashi et al.		
D354,966	S	*	1/1995	Lim	D15/145
D401,822	S		12/1998	Pearlman		
6,053,223	A		4/2000	Kilpelainen et al.		
6,299,522	B1		10/2001	Lee		
D466,912	S		12/2002	Lee		
6,665,943	B1		12/2003	Sloane et al.		
D549,539	S		8/2007	Walters		
D668,912	S		10/2012	Haggerty et al.		
8,438,820	B1	*	5/2013	Malavenda	B65B 43/44 53/435
D696,320	S		12/2013	Sjoberg et al.		

Related U.S. Application Data

- (63) Continuation-in-part of application No. 14/455,804, filed on Aug. 8, 2014, and a continuation of application No. 29/498,939, filed on Aug. 8, 2014, now Pat. No. Des. 755,263.

- (51) **LOC (10) Cl.** **15-09**
- (52) **U.S. Cl.** **D15/127**

- (58) **Field of Classification Search**
- USPC D15/124-134, 138-143, 28-29, 9, 17, D15/135-137; D10/64, 65; D8/70, 8, D8/66, 23, 16, 52, 60; D7/412, 414, 241/277
- CPC B23D 45/044-45/048; B21D 17/04; B23K 7/006; B23B 5/162; B23B 5/163; B24D 7/06; B24D 7/12; B24D 9/08; B28B 3/269; A01G 17/00-17/026; A01G 5/00
- See application file for complete search history.

(56) **References Cited**

U.S. PATENT DOCUMENTS

579,414	A	3/1897	Vance
D31,680	S	10/1899	Hopkins
809,254	A	1/1906	Golden
1,248,330	A	11/1917	Huish et al.
2,749,681	A	6/1956	Reidenbach

Primary Examiner — Patricia Palasik
(74) *Attorney, Agent, or Firm* — Buche & Associates, P.C.; John K. Buche; Bryce A. Johnson

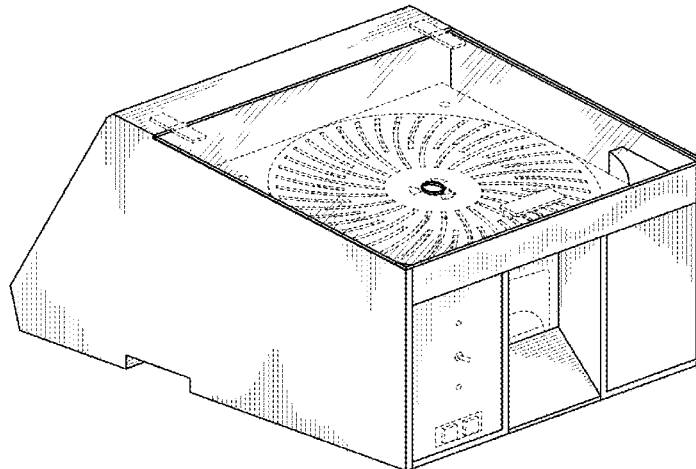
(57) **CLAIM**

The ornamental design for a bud trimmer, as shown and described.

DESCRIPTION

FIG. 1 is a perspective view of a bud trimmer. FIG. 2 is a front view of the trimmer of FIG. 1. FIG. 3 is a rear elevational view of the trimmer of FIG. 1. FIG. 4 is a left elevational side view of the trimmer of FIG. 1. FIG. 5 is a right elevational side view of the trimmer of FIG. 1. FIG. 6 is a top plan view of the trimmer of FIG. 1. FIG. 7 is a bottom plan view of the trimmer of FIG. 1; and, FIG. 8 is an exploded view of the trimmer of FIG. 1. The broken lines in the drawings of the bud trimmer depict unclaimed environmental subject matter.

1 Claim, 8 Drawing Sheets



(56)

References Cited

U.S. PATENT DOCUMENTS

8,950,955	B2 *	2/2015	Fukuda	G02B 6/2553 385/99
D746,885	S *	1/2016	Sato	D15/144
D755,263	S *	5/2016	Raichart	D15/126
D759,138	S *	6/2016	Sato	D15/144
2007/0069056	A1	3/2007	Shouse et al.	
2011/0170931	A1 *	7/2011	Kawaguchi	B26D 1/085 400/621
2012/0279193	A1	11/2012	Mosman	
2013/0205965	A1 *	8/2013	Walker	B26D 1/0006 83/98
2013/0240417	A1	9/2013	Kelly	
2014/0087794	A1 *	3/2014	Hall	A23N 15/02 460/123
2015/0047485	A1	2/2015	Schroeder	
2016/0039105	A1 *	2/2016	Raichart	B26D 1/147 83/13
2016/0183546	A1 *	6/2016	Garratt	A23N 15/06 99/470
2016/0229076	A1 *	8/2016	Link	B26D 1/025
2016/0288353	A1 *	10/2016	McCracken	B26D 1/29
2016/0288540	A1 *	10/2016	Osuka	B26D 1/065

* cited by examiner

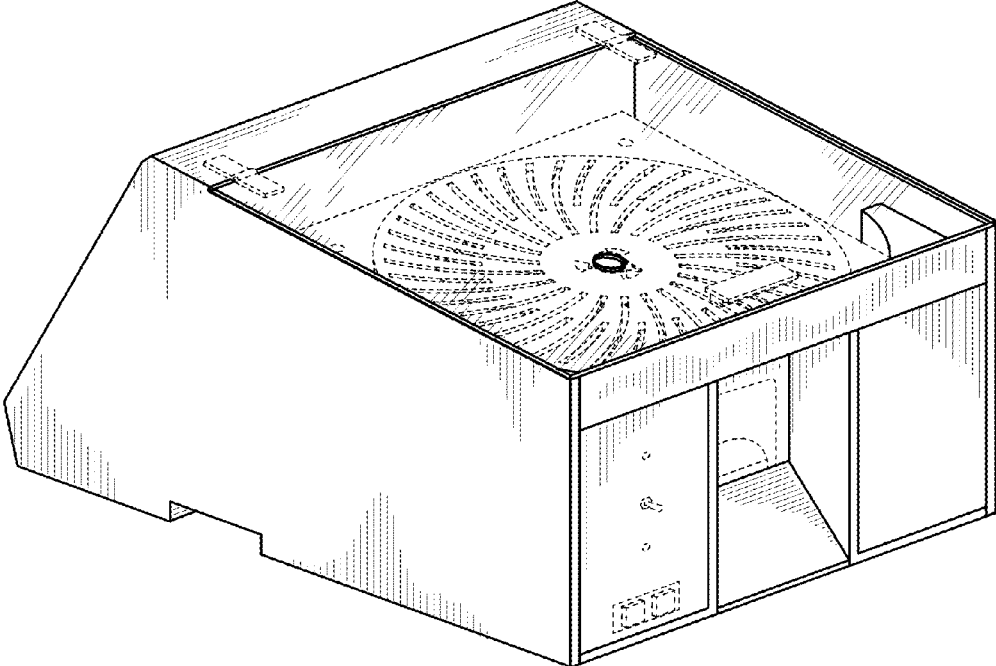


FIG. 1

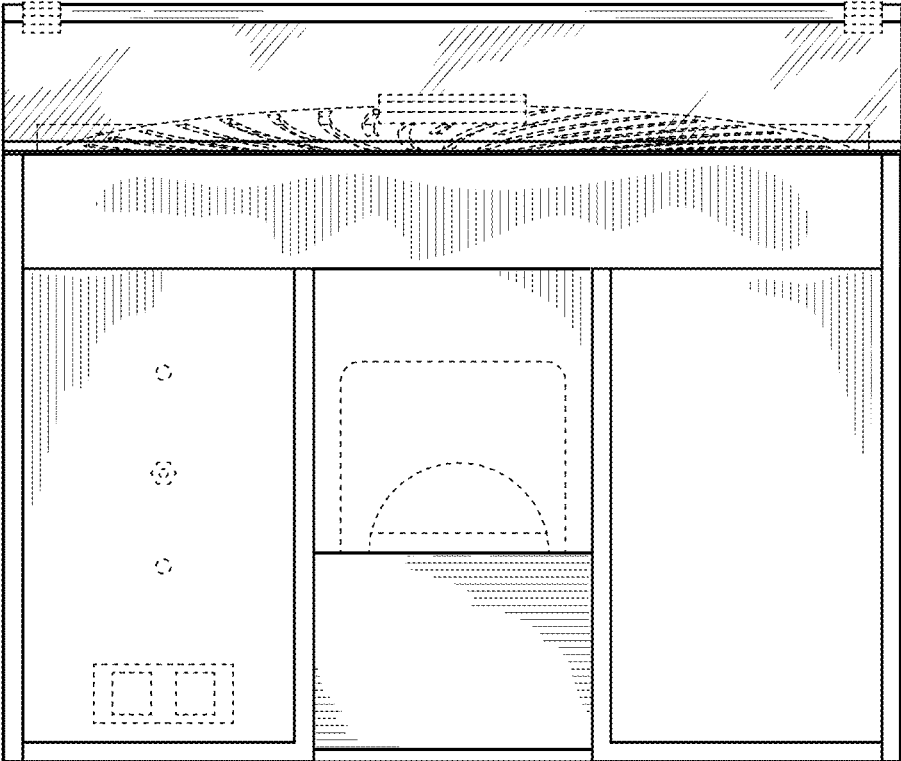


FIG. 2

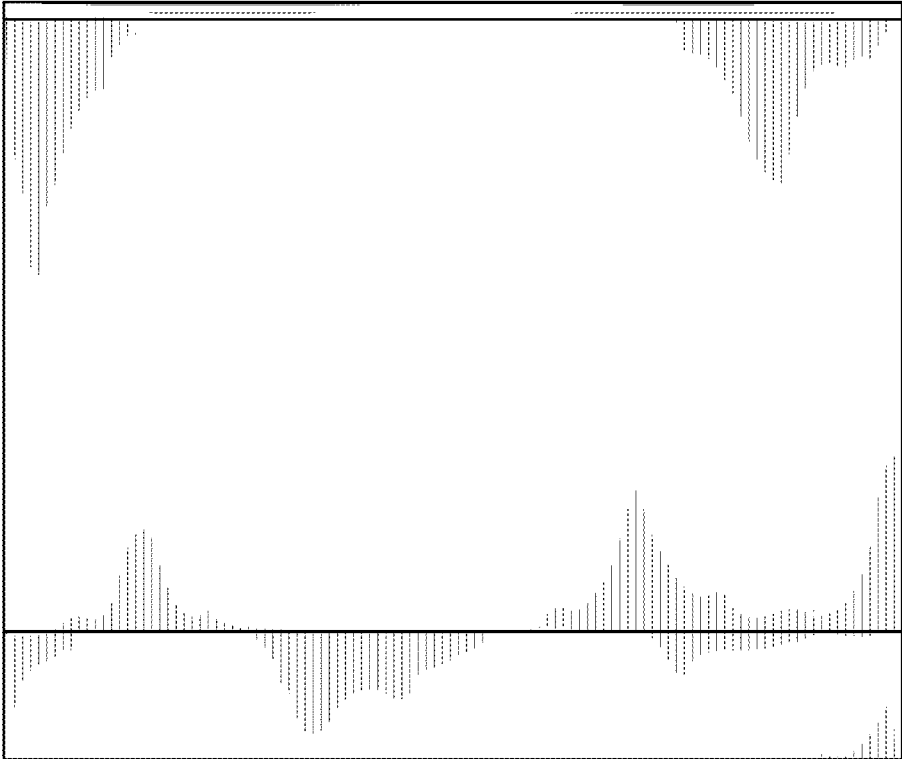


FIG. 3

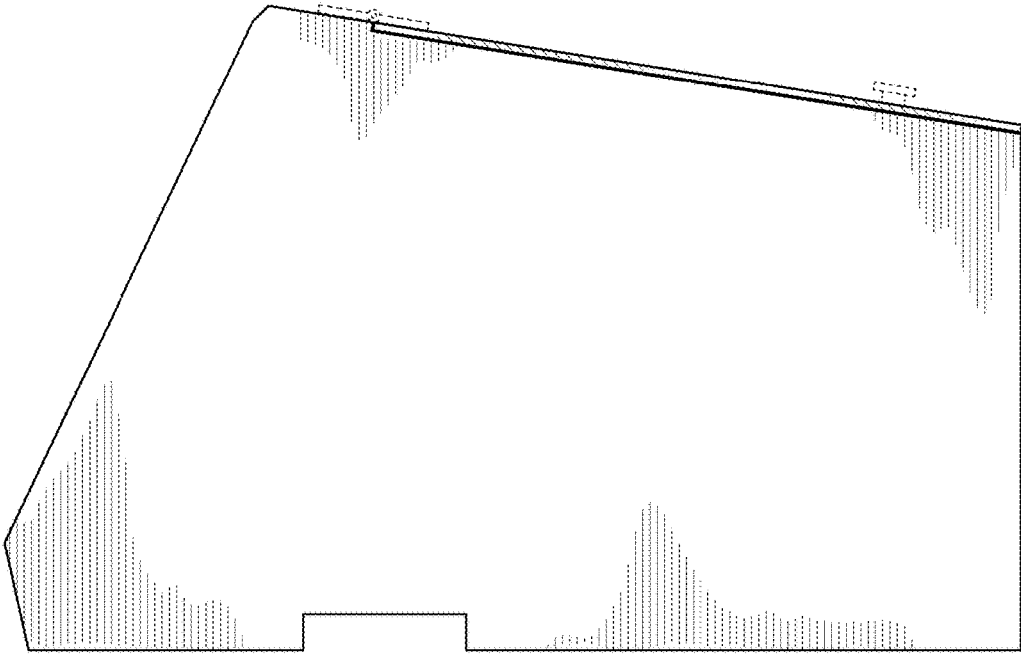


FIG. 4

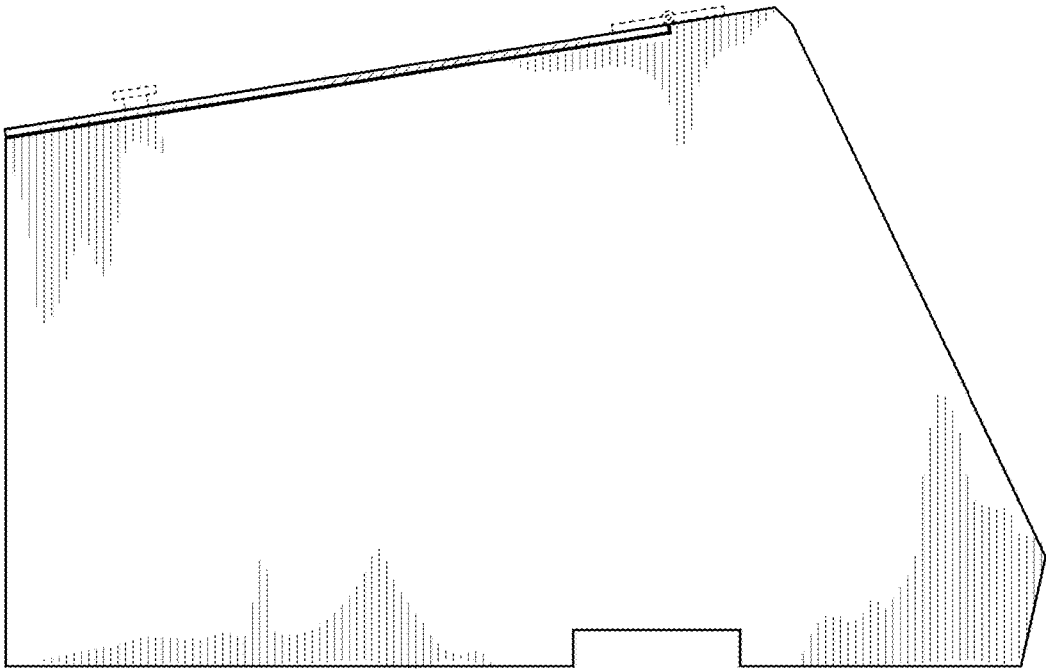


FIG. 5

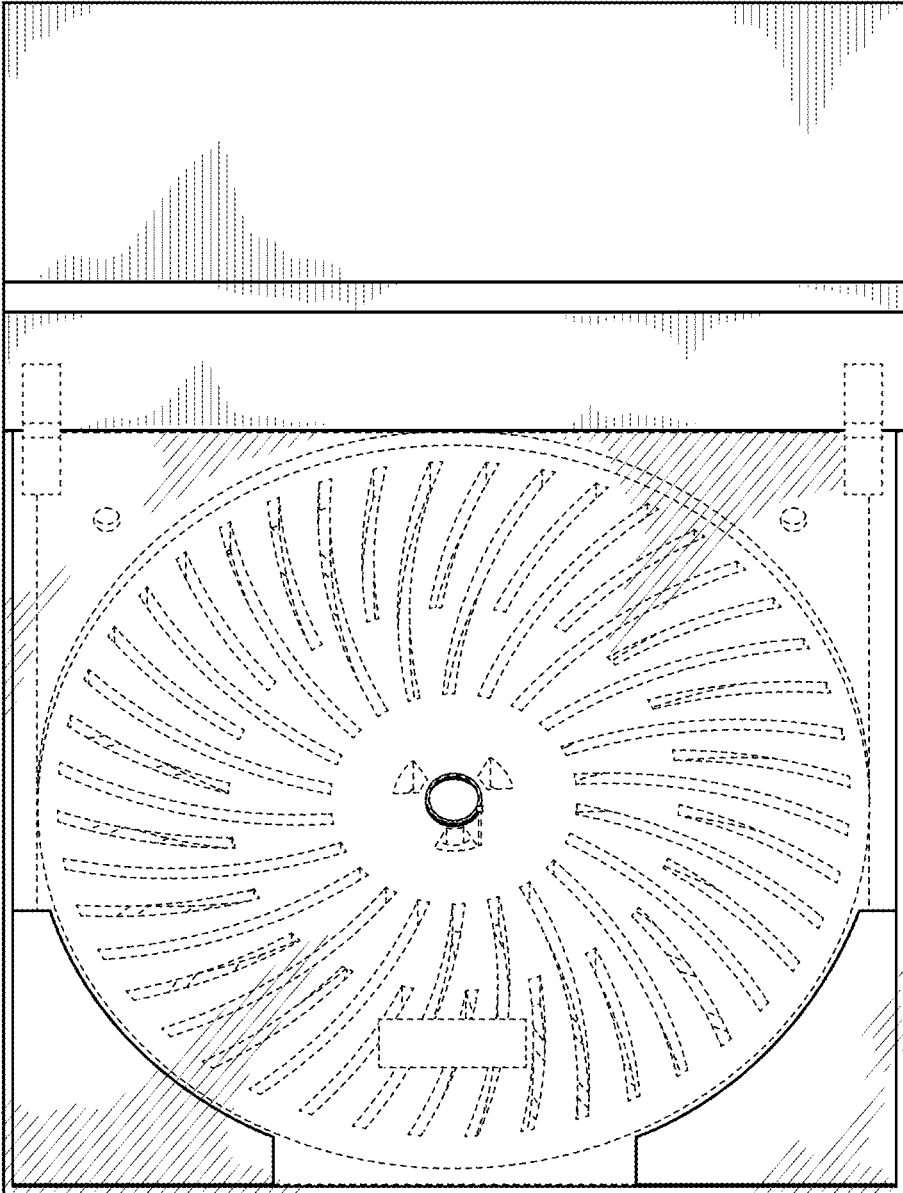


FIG. 6

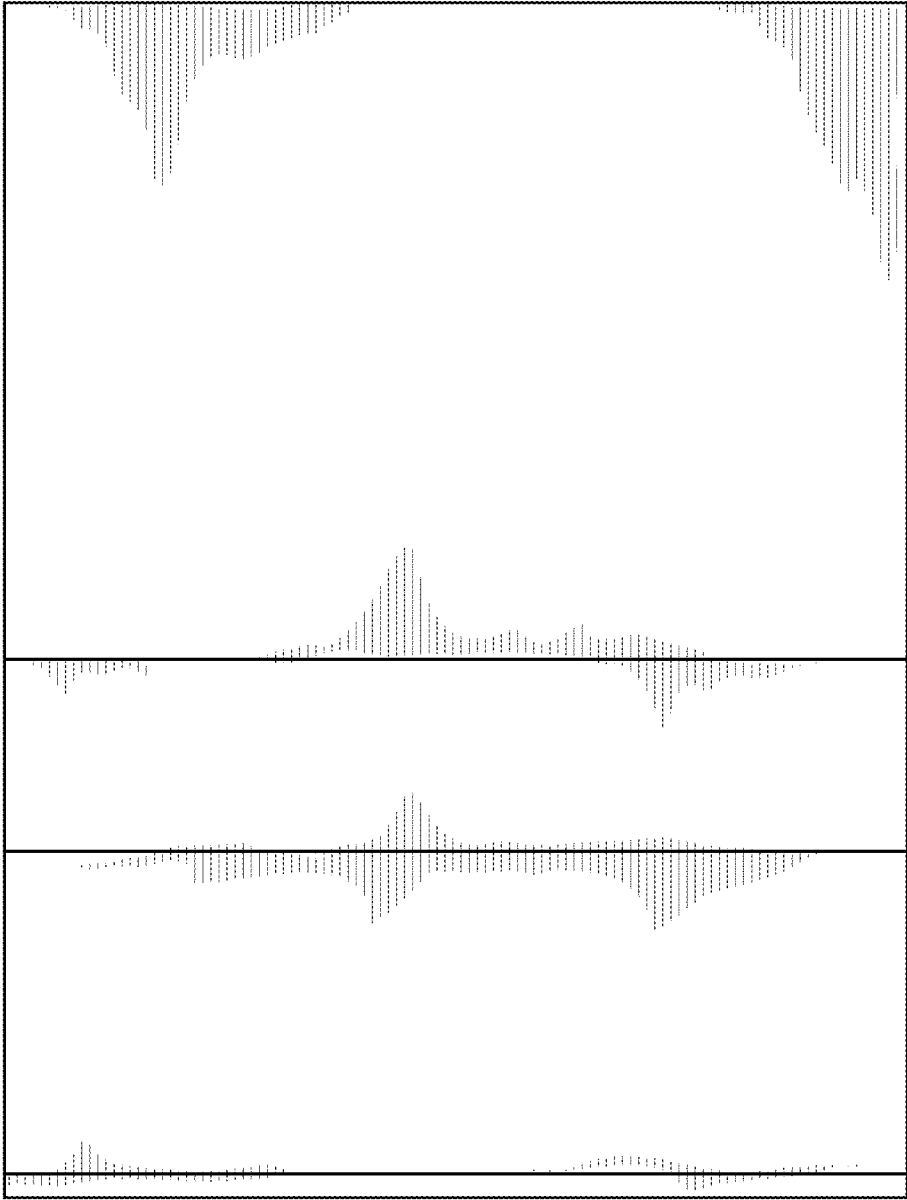


FIG. 7

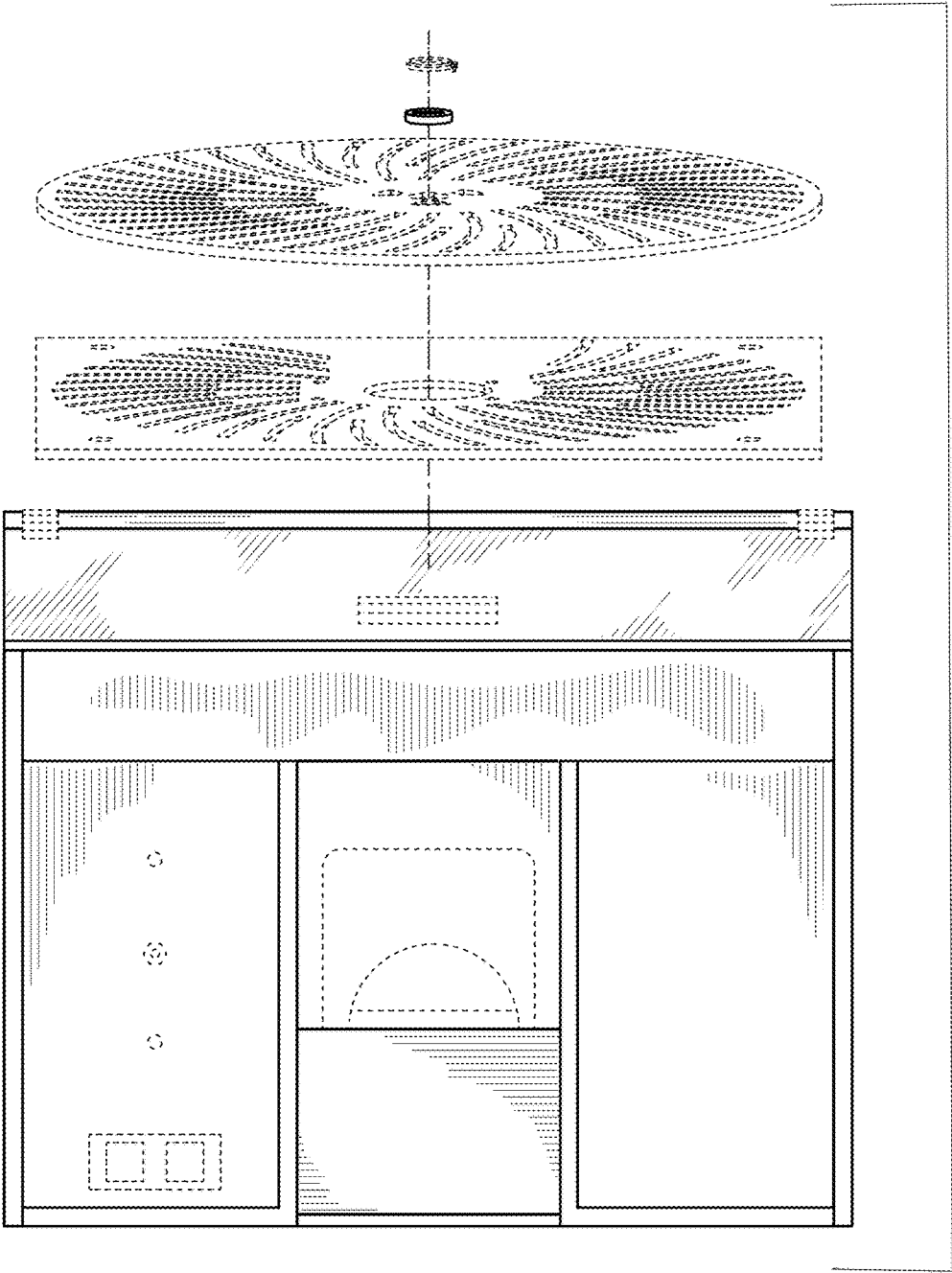


FIG. 8