



US00D798970S

(12) **United States Design Patent**
Handshoe

(10) **Patent No.:** **US D798,970 S**

(45) **Date of Patent:** **** Oct. 3, 2017**

(54) **FOOT-WORN EXERCISE HARNESS**

FOREIGN PATENT DOCUMENTS

(71) Applicant: **PrePak Products, Inc.**, La Jolla, CA
(US)

CN	203183588	9/2013
DE	356572	10/1920
EP	0788816	8/1997

(72) Inventor: **Ron Handshoe**, Winchester, KY (US)

(**) Term: **15 Years**

OTHER PUBLICATIONS

(21) Appl. No.: **29/526,987**

Knee pulley by Home Ranger dated no date given. Found online [May 26, 2017] <http://www.kneepulley.com/>*

(22) Filed: **May 14, 2015**

Primary Examiner — Robert M Spear

(51) **LOC (10) Cl.** **21-02**

Assistant Examiner — Ryan Harvey

(52) **U.S. Cl.**
USPC **D21/685**

(74) *Attorney, Agent, or Firm* — Buche & Associates,
P.C.; John K. Buche; Bryce A. Johnson

(58) **Field of Classification Search**
USPC D21/797, 698, 662, 683, 692, 687;
482/23, 48, 139, 44, 105, 91, 95, 124,
482/123, 125, 126, 904, 131, 129, 140,
482/74, 121, 122; 2/161.1, 162, 170,
2/917, 16, 20; D8/330, 303; D20/22;
D29/113, 120.1, 791, 797, 190, 117.1;
473/205; D24/190, 206, 200
CPC A63B 21/0552; A63B 2209/10; A63B
21/4035; A63B 21/0557; A63B 21/0442;
A63B 21/4043; A63B 23/16; A63B
2023/006; A63B 21/4019
See application file for complete search history.

(57) **CLAIM**

I claim the ornamental appearance of a foot-worn exercise harness, as shown and described.

DESCRIPTION

FIG. 1 is a perspective view of the foot-worn exercise harness.
FIG. 2 is a front-side view of the foot-worn exercise harness of FIG. 1.
FIG. 3 is a back-side view of the foot-worn exercise harness of FIG. 1.
FIG. 4 is a right-side view of the foot-worn exercise harness of FIG. 1.
FIG. 5 is a left-side view of the foot-worn exercise harness of FIG. 1.
FIG. 6 is a top view of the foot-worn exercise harness of FIG. 1.
FIG. 7 is a bottom view of the foot-worn exercise harness of FIG. 1; and,
FIG. 8 is a perspective view of the foot-worn exercise harness of FIG. 1 shown in use.
Details shown in broken lines are environmental and form no part of the claimed design.

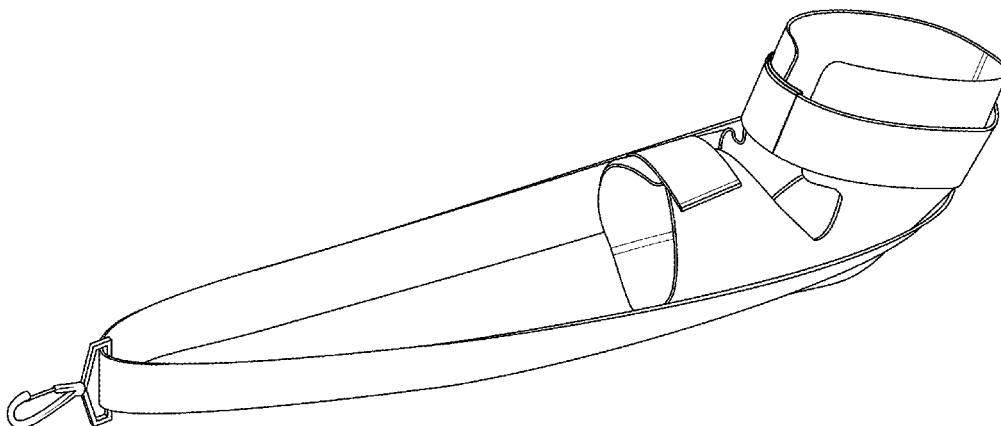
(56) **References Cited**

U.S. PATENT DOCUMENTS

1,144,085 A	6/1915	Abplanalp	
2,716,027 A	8/1955	Gehri	
3,752,474 A	8/1973	Macabet et al.	
3,858,874 A	1/1975	Weider	
3,979,114 A	9/1976	Codina	
4,060,240 A	11/1977	Dunston	
4,079,933 A	3/1978	Everroad	
4,205,839 A	6/1980	Best	
4,325,548 A *	4/1982	Piccini A63B 21/0552 482/129
4,478,414 A	10/1984	Molloy	
4,728,103 A	3/1988	Fulton	

(Continued)

1 Claim, 6 Drawing Sheets



(56)

References Cited

U.S. PATENT DOCUMENTS

5,100,129	A	3/1992	Porter et al.	7,364,555	B1	4/2008	Davidson
5,186,698	A	2/1993	Mason et al.	7,497,839	B2	3/2009	Quinn et al.
5,209,716	A	5/1993	Frydman et al.	7,955,236	B2	6/2011	DiGiovanni et al.
5,213,094	A	5/1993	Bonutti	7,976,445	B2	7/2011	Laloua
5,254,065	A	10/1993	Pollock	8,043,197	B2	10/2011	Hetrick
5,431,653	A	7/1995	Callaway	8,083,653	B2	12/2011	Hetrick
D373,803	S *	9/1996	Winans D21/684	8,142,336	B1	3/2012	Yates
5,595,559	A	1/1997	Viel	8,152,704	B2	4/2012	Brice et al.
5,820,529	A	10/1998	Weintraub	D683,908	S *	6/2013	Pasloski D29/121.2
5,848,956	A *	12/1998	Grettner A61F 5/3738 482/140	D685,950	S *	7/2013	Sparkes D29/101.1
5,857,949	A	1/1999	Tebbe et al.	8,845,568	B2 *	9/2014	Clark A61F 5/04 602/32
6,059,698	A	5/2000	Mazor	D743,493	S *	11/2015	Smith D21/662
6,338,700	B1	1/2002	Pollock	9,561,395	B2 *	2/2017	Rogoff A63B 21/0442
6,450,930	B1	9/2002	Kroke	2005/0277527	A1	12/2005	Gregerson
6,540,651	B1	4/2003	Aberton et al.	2010/0261583	A1 *	10/2010	Ferguson A63B 21/151 482/79
D482,792	S *	11/2003	McCormick D24/192	2011/0287906	A1	11/2011	Morris
6,908,418	B2	6/2005	Saure	2013/0288861	A1	10/2013	Cole
6,921,354	B1	7/2005	Shifferaw	2013/0310724	A1 *	11/2013	Kazlow A61F 5/0111 602/87
7,179,206	B2 *	2/2007	Backes A61H 1/0266 482/80	2014/0073998	A1	3/2014	Keiser
				2014/0094721	A1	4/2014	Diallo

* cited by examiner

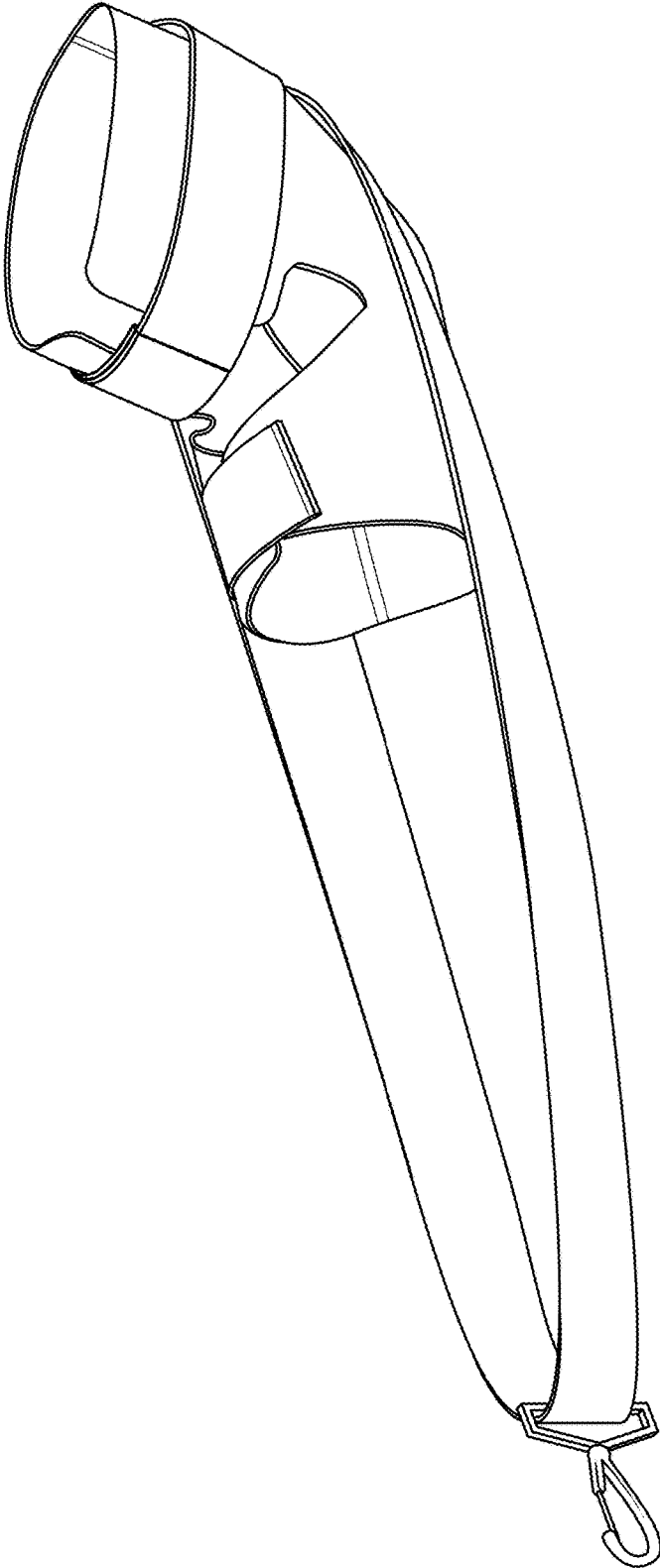


FIG. 1

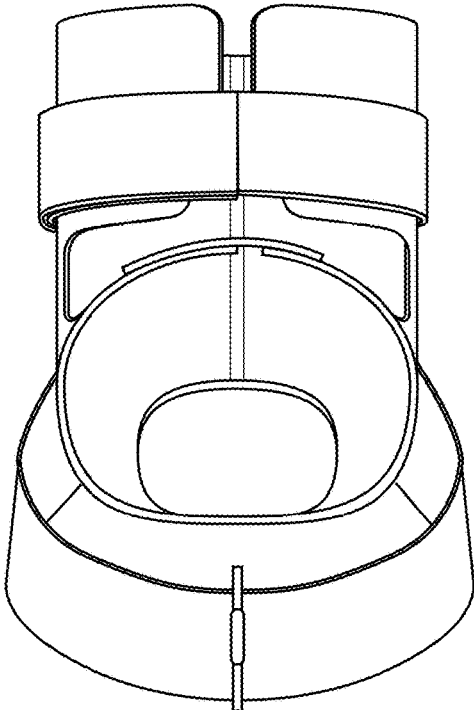


FIG. 2

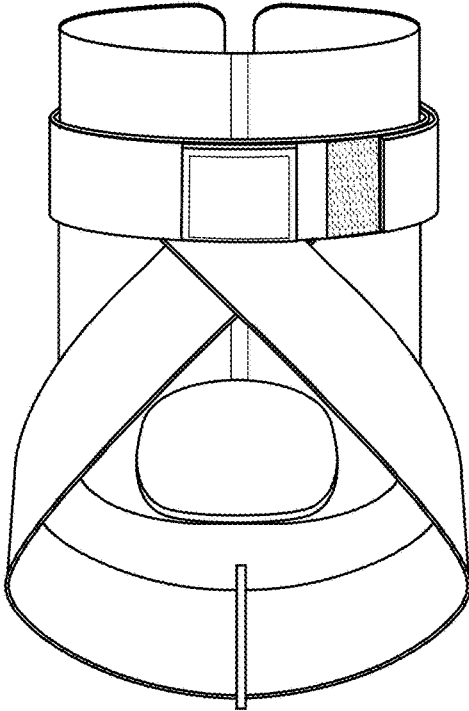


FIG. 3

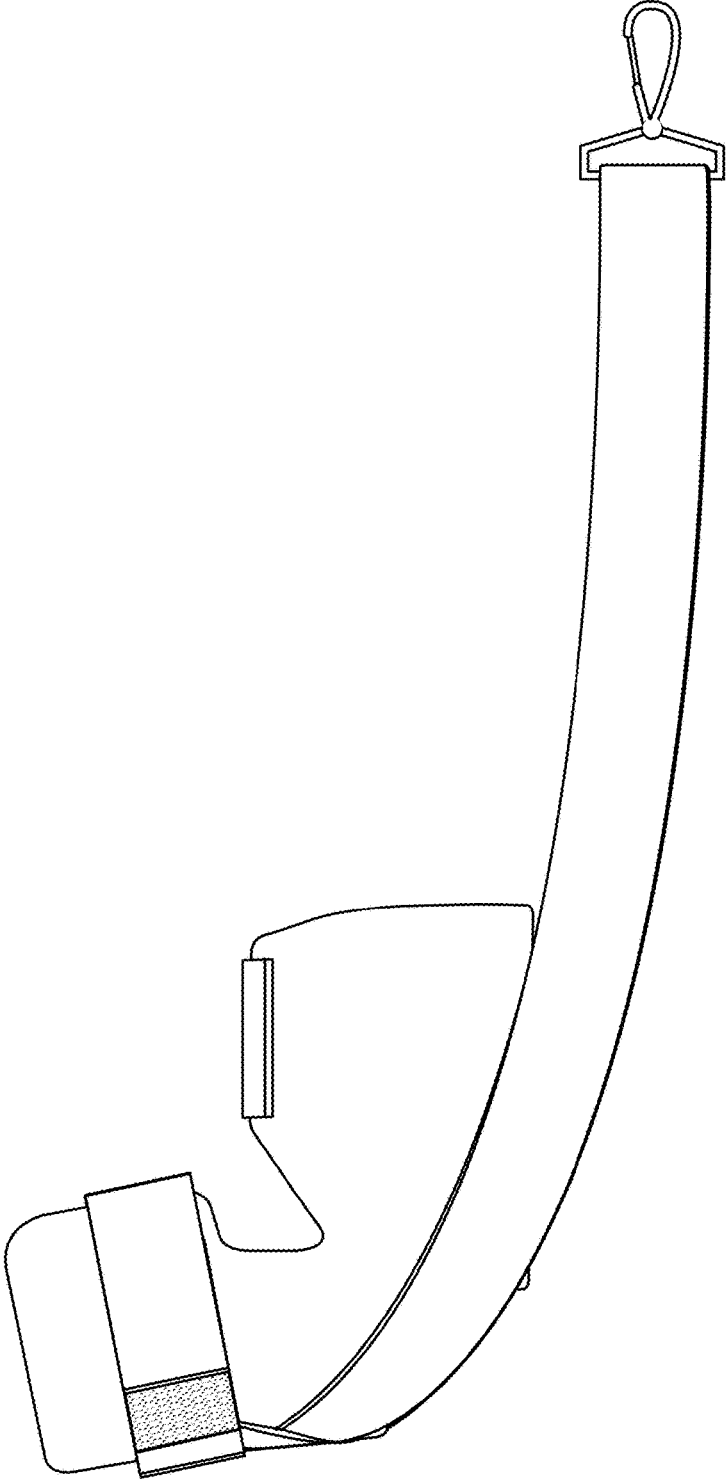


FIG. 4

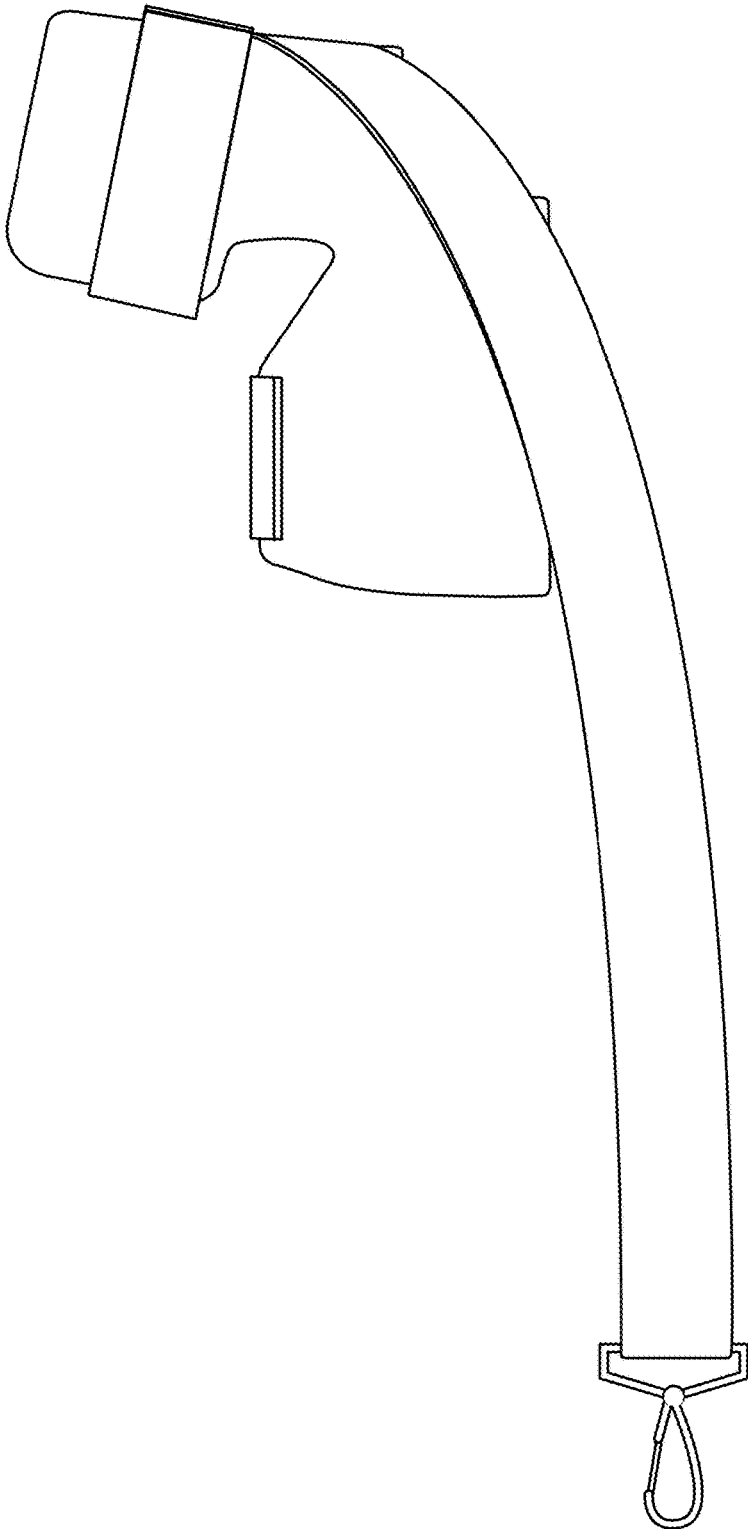


FIG. 5

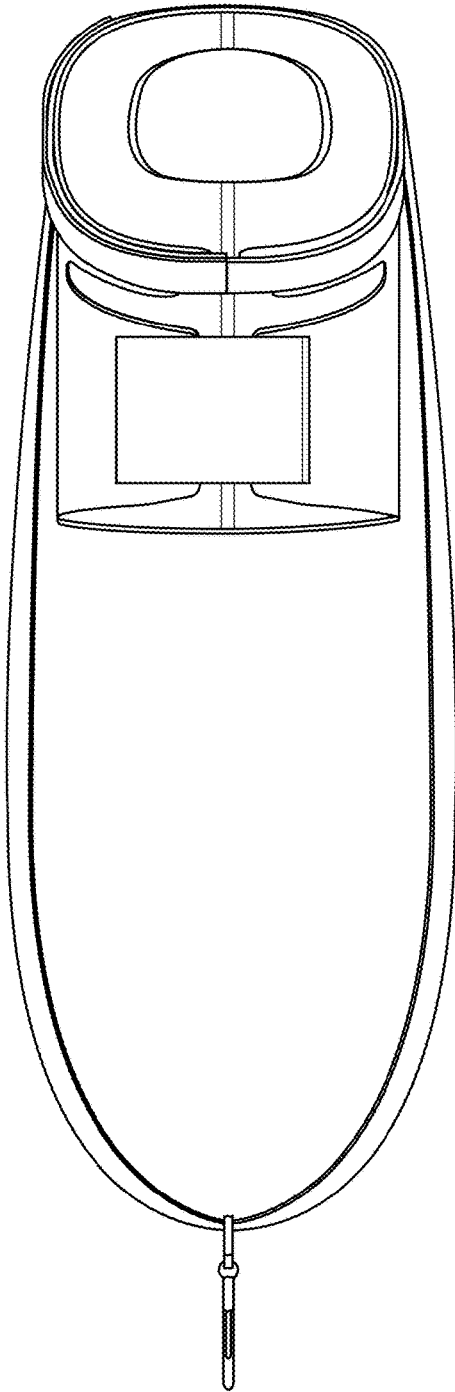


FIG. 6

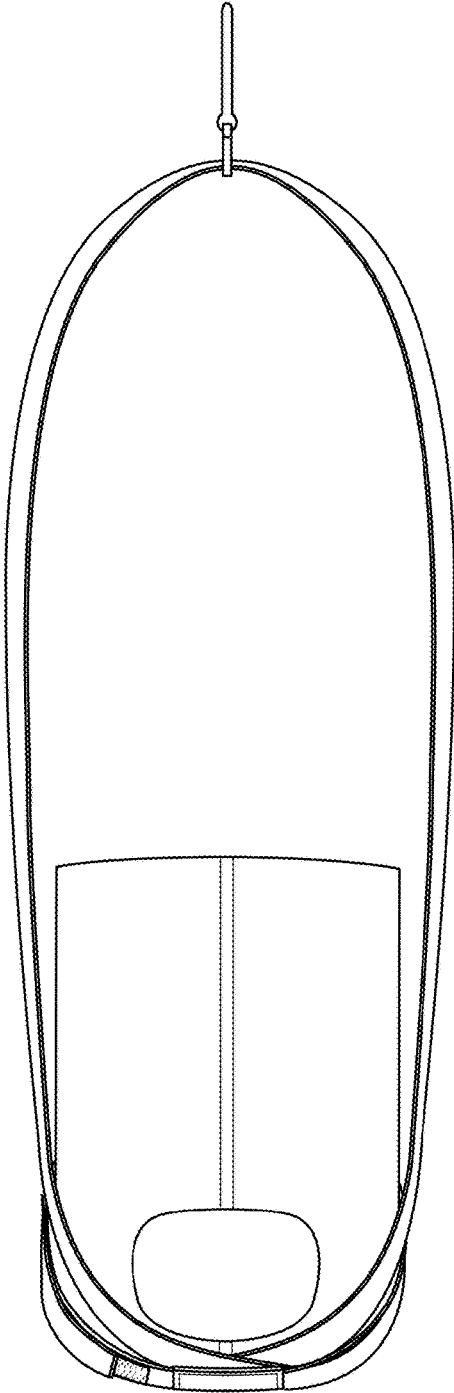


FIG. 7

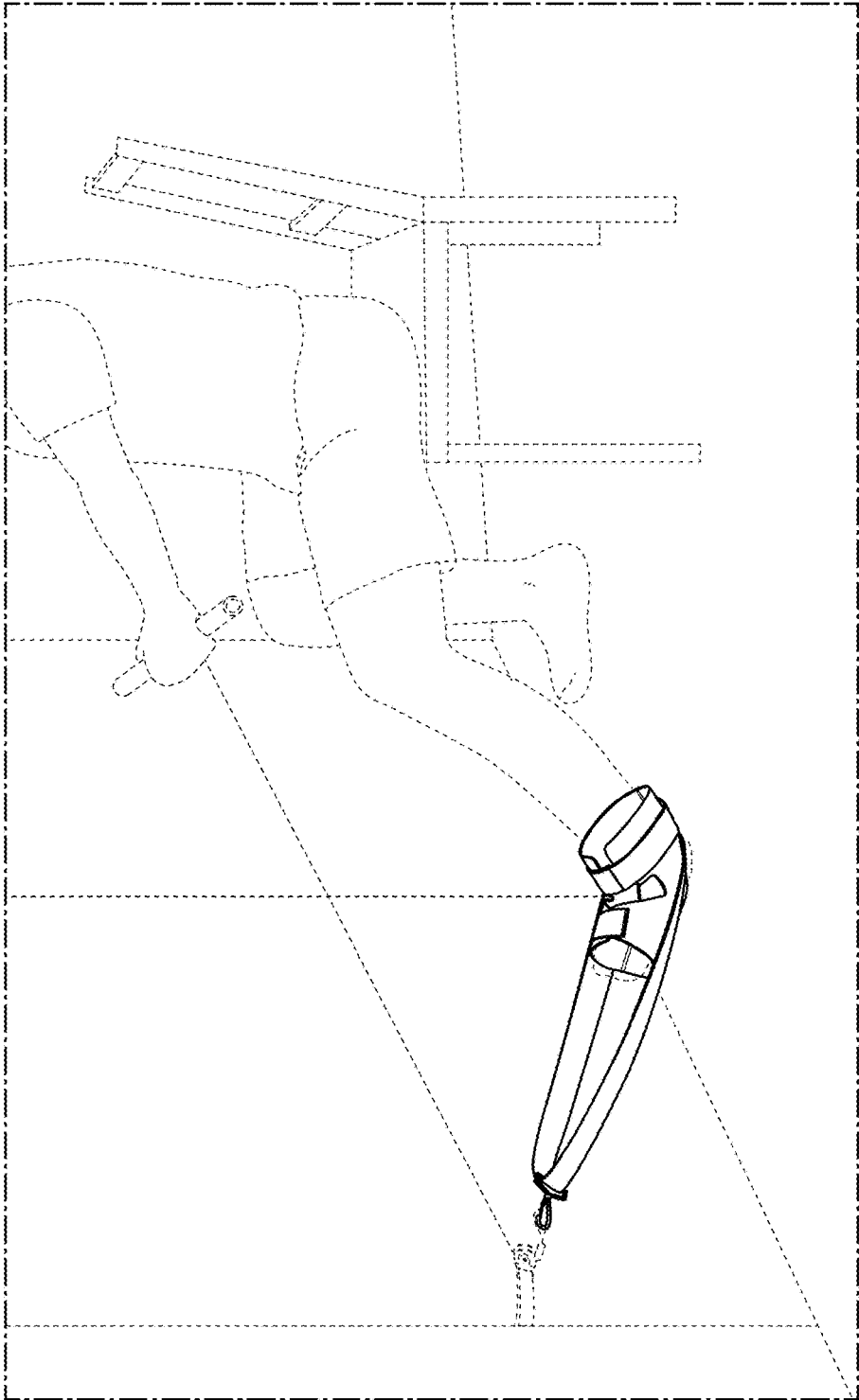


FIG.8