



(12) **United States Design Patent**  
**Kousens et al.**

(10) **Patent No.:** **US D803,654 S**  
(45) **Date of Patent:** **\*\* Nov. 28, 2017**

(54) **REVERSIBLE FACE PLATE FOR VISE JAWS**

(71) Applicant: **Chicago Equipment Leasing Services Company, La Jolla, CA (US)**

(72) Inventors: **William Kousens, El Cajon, CA (US); Zachary Kousens, Carlsbad, CA (US); Tam Nguyen, San Diego, CA (US)**

(\*\*) Term: **15 Years**

(21) Appl. No.: **29/550,190**

(22) Filed: **Dec. 30, 2015**

(51) **LOC (10) Cl.** ..... **08-05**

(52) **U.S. Cl.**  
USPC ..... **D8/74**

(58) **Field of Classification Search**  
USPC ..... D8/71-74, 394-399, 59; 248/63, 72, 248/74.1, 689, 124.2; 81/487, 385, 386, 81/388-390; 269/3, 4, 6, 143, 165, 240, 269/243, 246-249, 254 R, 147-149; 29/256, 257, 276; 408/103, 104-109  
CPC ..... B25B 1/00; B25B 5/00  
See application file for complete search history.

(56) **References Cited**

**U.S. PATENT DOCUMENTS**

2,810,600 A	10/1957	Kendrick	
3,077,346 A	2/1963	Lassy	
4,597,690 A *	7/1986	Girard	F16B 7/04 403/312
4,898,371 A	2/1990	Mills et al.	
D318,409 S *	7/1991	Garrett	D8/72
5,078,372 A	1/1992	Fitzpatrick	
5,442,844 A *	8/1995	Swann	B23Q 3/103 269/242
D377,311 S *	1/1997	Stiegler	D8/396

D380,953 S *	7/1997	Norgaard	D8/71
D385,484 S *	10/1997	Zito	D8/396
6,022,010 A	2/2000	Bernstein	
D430,783 S *	9/2000	Cummings	D8/72
D432,886 S *	10/2000	Hembroff	D8/74
6,655,642 B1 *	12/2003	Zearbaugh	F16L 3/04 248/65
D562,124 S *	2/2008	Hargis	D8/394
D603,781 S *	11/2009	Jimenez	B60R 11/00 D12/223
D606,379 S *	12/2009	Hughes	D8/394
D730,142 S *	5/2015	Shapiro	D8/72

\* cited by examiner

*Primary Examiner* — David G Muller

(74) *Attorney, Agent, or Firm* — Buche & Associates, P.C.; John K. Buche; Bryce A. Johnson

(57) **CLAIM**

We claim the ornamental design of a reversible face plate for vise jaws, as shown and described.

**DESCRIPTION**

FIG. 1 is a front perspective view of the reversible face plate for vise jaws.

FIG. 2 is a rear perspective view thereof;

FIG. 3 is a front elevation view thereof;

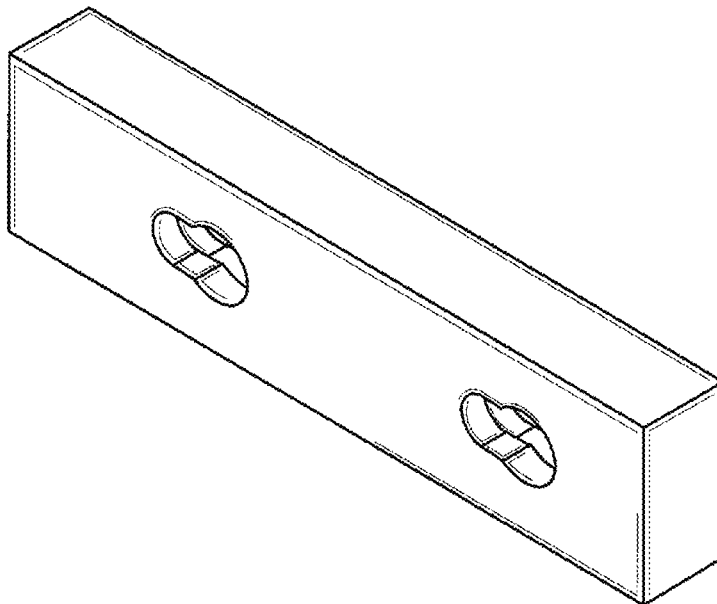
FIG. 4 is a rear elevation view thereof;

FIG. 5 is an side elevation view thereof; the opposite side elevation view being identical;

FIG. 6 is a cross section thereof taken along line 6-6 in FIG. 5; and,

FIG. 7 is a cross section thereof taken along line 7-7 in FIG. 4.

**1 Claim, 3 Drawing Sheets**



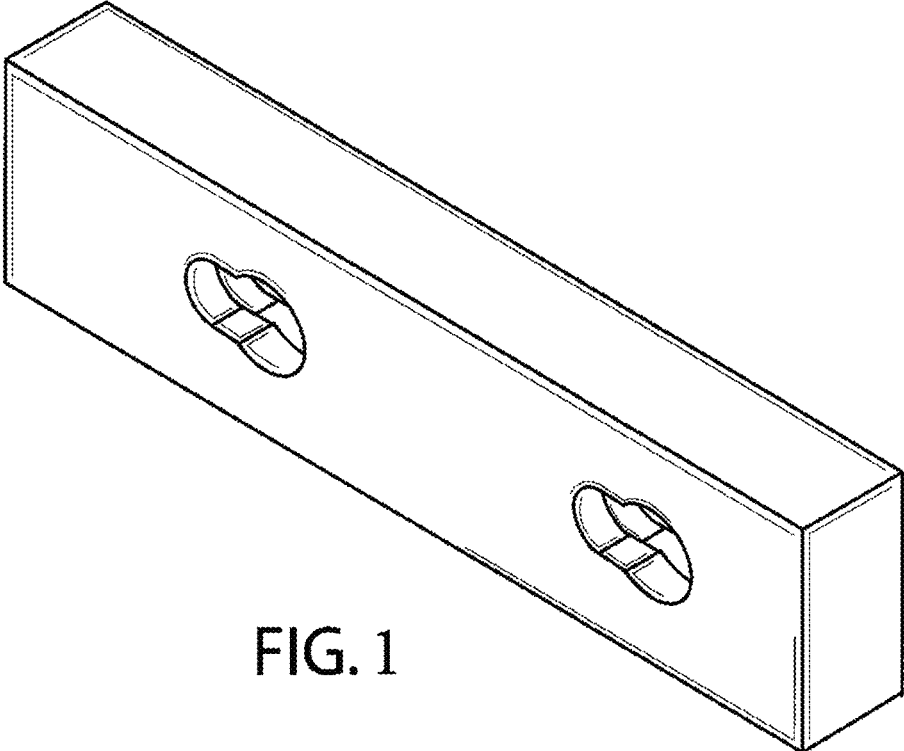


FIG. 1

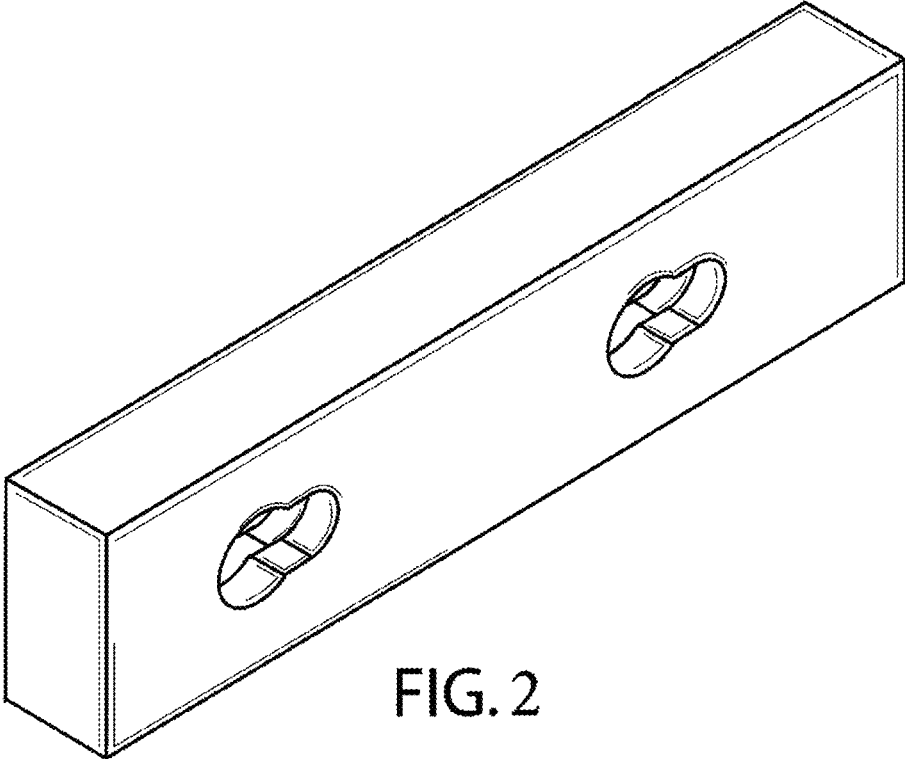


FIG. 2

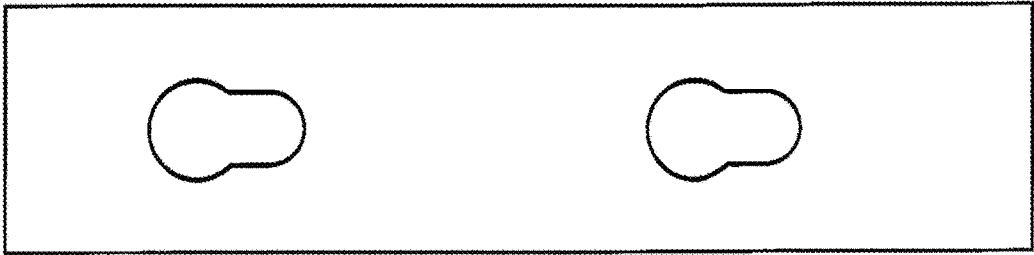


FIG. 3

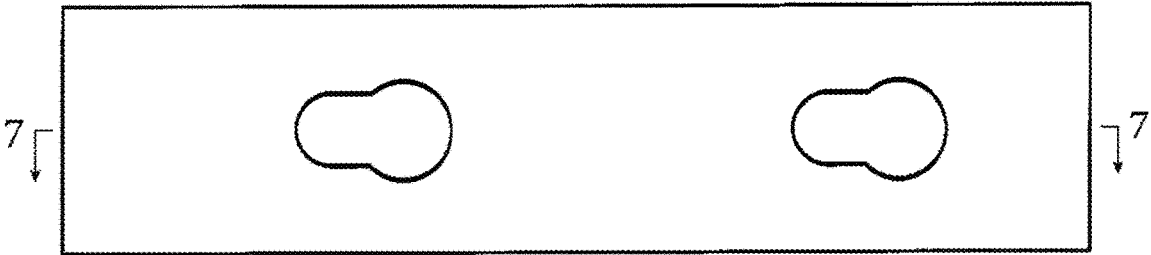


FIG. 4

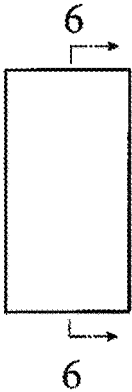


FIG. 5

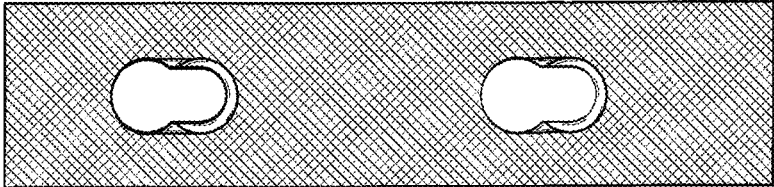


FIG. 6

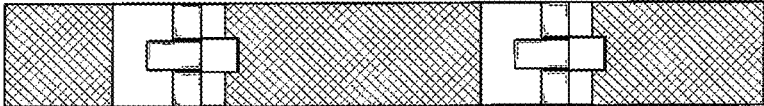


FIG. 7