



US00D811829S

(12) **United States Design Patent**
Crane

(10) **Patent No.:** **US D811,829 S**

(45) **Date of Patent:** **** Mar. 6, 2018**

(54) **BARBEQUE UTENSIL**

(71) Applicant: **Bottle Breacher, LLC**, La Jolla, CA
(US)

(72) Inventor: **Elijah Crane**, Tucson, AZ (US)

(**) Term: **15 Years**

(21) Appl. No.: **29/591,584**

(22) Filed: **Jan. 20, 2017**

Related U.S. Application Data

(62) Division of application No. 29/517,151, filed on Feb. 10, 2015, now Pat. No. Des. 780,508.

(51) **LOC (11) Cl.** **07-06**

(52) **U.S. Cl.**
USPC **D7/689**

(58) **Field of Classification Search**
USPC D7/680-696; D22/116
CPC A21B 3/003; A47J 43/28; A47J 43/283;
A47J 43/288; A47G 21/045
See application file for complete search history.

(56) **References Cited**

U.S. PATENT DOCUMENTS

D461,379 S * 8/2002 Wang D7/686
D576,000 S * 9/2008 Allen D7/689

* cited by examiner

Primary Examiner — Terry A Wallace

(74) *Attorney, Agent, or Firm* — Buche & Associates,
P.C.; John K. Buche; Bryce A. Johnson

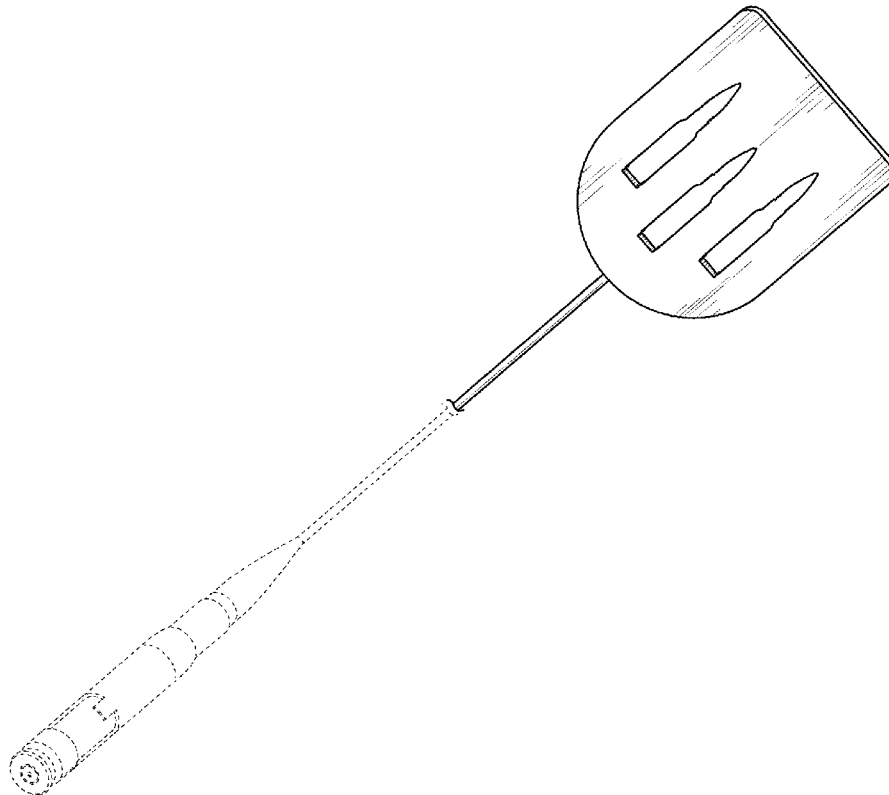
(57) **CLAIM**

I claim the ornamental appearance of a barbeque utensil, as shown and described.

DESCRIPTION

FIG. 1 is a perspective view of a barbeque utensil.
FIG. 2 is a front view of the barbeque utensil.
FIG. 3 is a back view of the barbeque utensil.
FIG. 4 is a left-side view of the barbeque utensil.
FIG. 5 is a right-side view of the barbeque utensil.
FIG. 6 is a bottom view of the barbeque utensil; and,
FIG. 7 is a top view of the barbeque utensil.
The broken lines in the drawings represent unclaimed subject matter only and form no part of the claimed design.

1 Claim, 4 Drawing Sheets



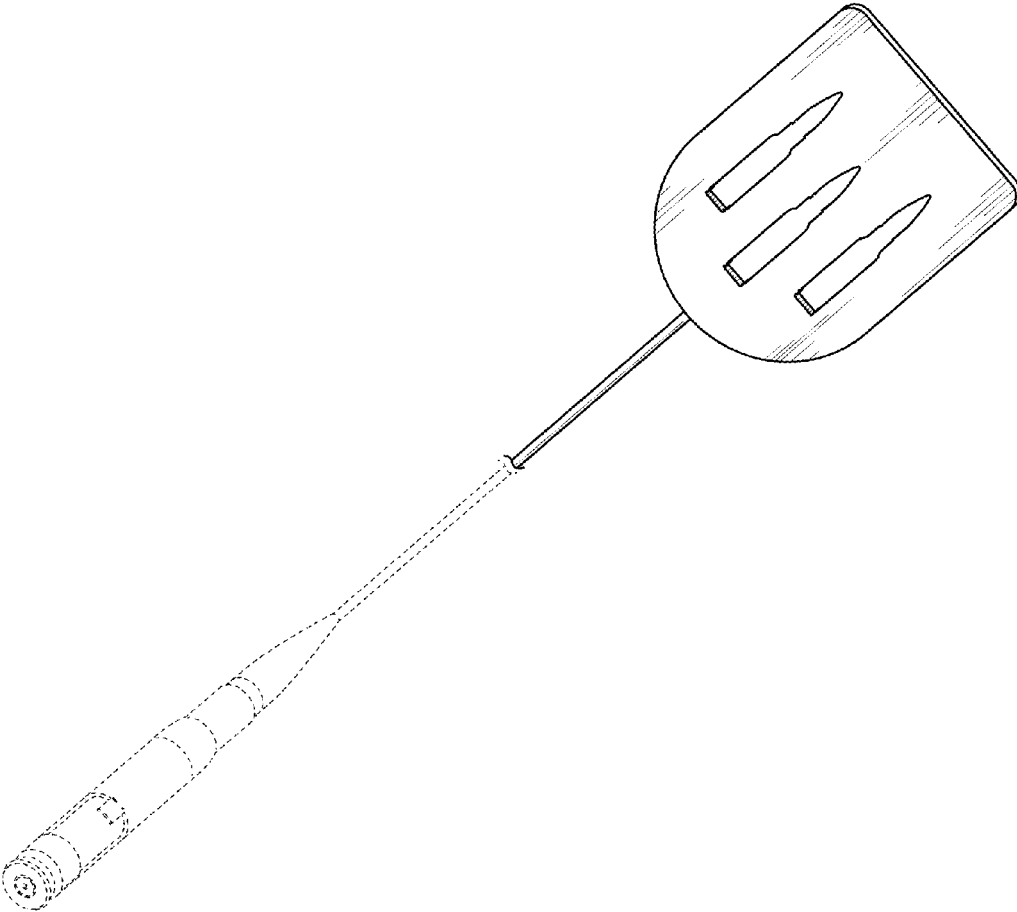


FIG. 1

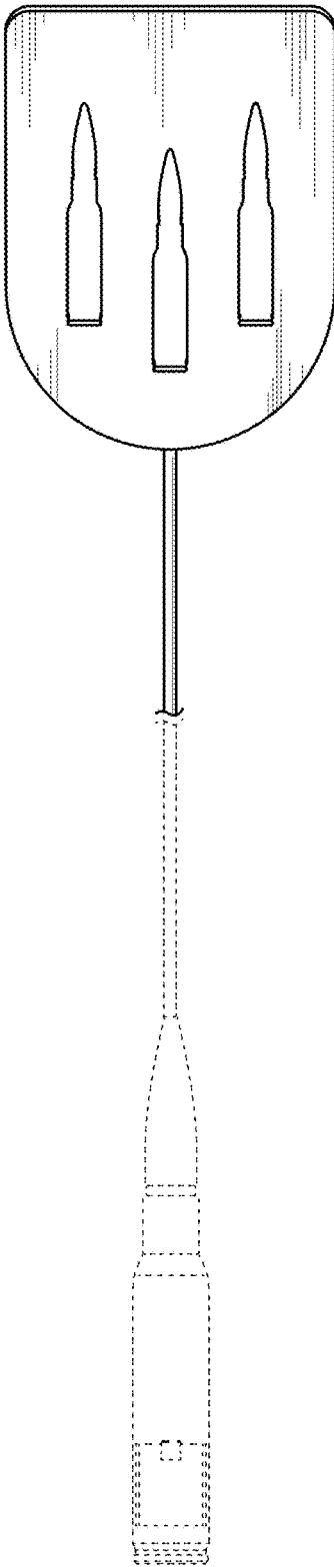


FIG. 2

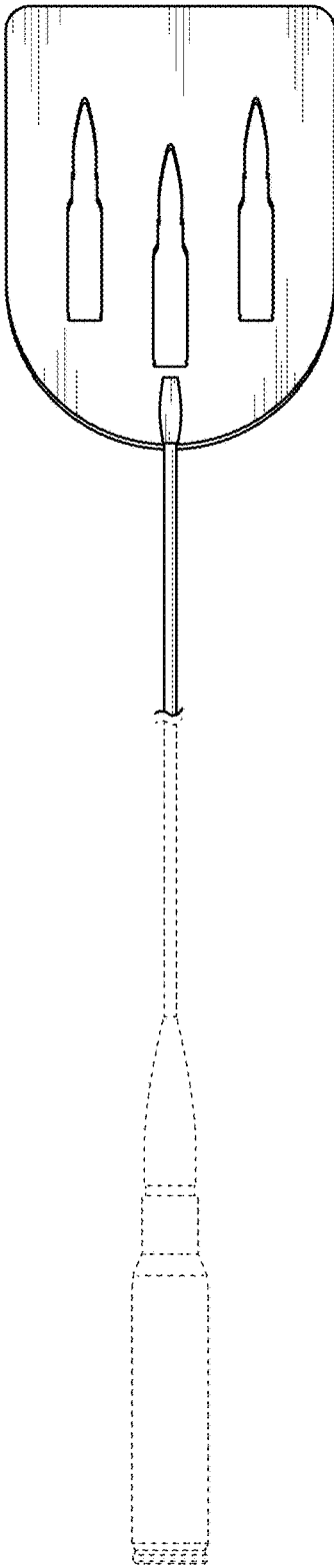


FIG. 3

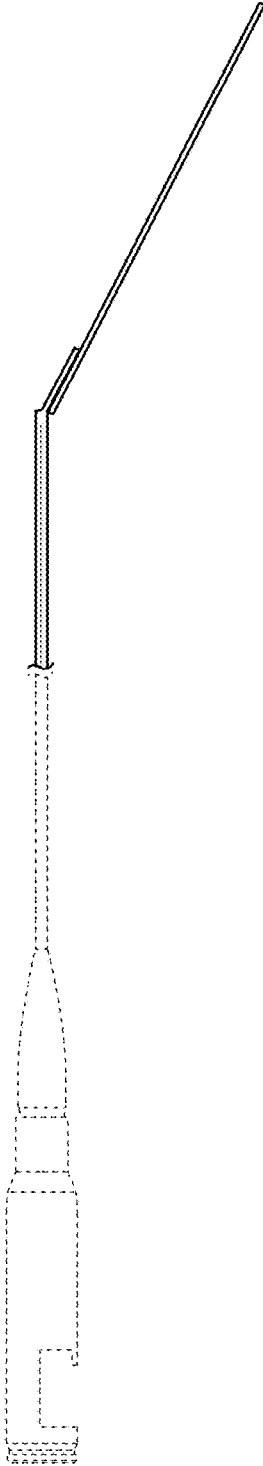


FIG. 4

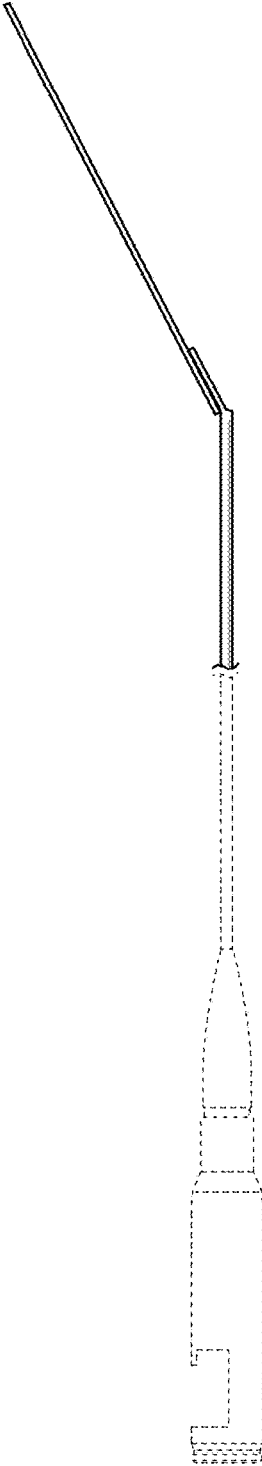


FIG. 5

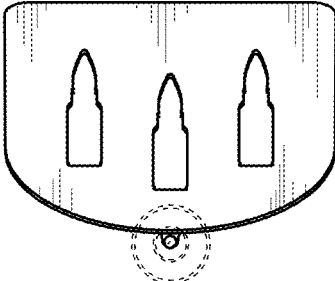


FIG. 6

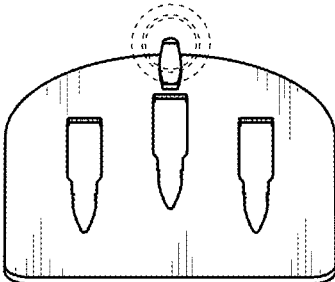


FIG. 7