



(12) **United States Design Patent**
Wilfer

(10) **Patent No.:** **US D819,120 S**
(45) **Date of Patent:** **** May 29, 2018**

(54) **PEDAL BOARD**

(71) Applicant: **Warwick GmbH Co. Music Equipment KG**, La Jolla, CA (US)

(72) Inventor: **Hans-Peter Wilfer**, Markneukirchen (DE)

(**) Term: **15 Years**

(21) Appl. No.: **29/574,648**

(22) Filed: **Aug. 17, 2016**

Related U.S. Application Data

(63) Continuation-in-part of application No. 29/554,921, filed on Feb. 17, 2016, now Pat. No. Des. 781,954.

(51) **LOC (11) Cl.** **17-03**

(52) **U.S. Cl.**
USPC **D17/20**

(58) **Field of Classification Search**
USPC 84/20, 21, 177, 179, 184, 189, 216, 236, 84/237, 239, 384, 402, 422.1, 746; 211/41.17; 364/802; D1/106; D6/716; D13/167; D17/1, 7, 9, 10, 20, 22, 99; D21/405, 406, 408, 409; D24/194
CPC .. A47G 27/0212; G10G 7/005; G10H 1/0091; G10H 1/32; G10H 1/34; G10H 1/348; G10H 3/186; G10C 3/02; G10C 3/00; H04R 1/08; H04R 17/02; H04R 19/04
See application file for complete search history.

(56) **References Cited**

U.S. PATENT DOCUMENTS

3,261,520 A * 7/1966 Andersson B60R 9/045
224/325
3,526,296 A * 9/1970 Stevens E04G 3/26
182/45
6,459,023 B1 * 10/2002 Chandler 84/177
D781,954 S * 3/2017 Wilfer D17/20

D786,961 S * 5/2017 Canivell Grifols D17/20
D787,583 S * 5/2017 Canivell Grifols D17/13
D787,584 S * 5/2017 Canivell Grifols D17/20
D789,442 S * 6/2017 Canivell Grifols D17/20
2015/0325224 A1* 11/2015 Manosa Ripoll G10H 1/32
84/444
2016/0171959 A1* 6/2016 Canivell Grifols G10G 5/00
84/453

OTHER PUBLICATIONS

Pedaltrain Pro, posted at Youtube.com, posted on Jul. 29, 2014 [online], [site visited Jun. 28, 2017]. Available from Internet, <<https://web.archive.org/web/20140729014153/http://www.pedaltrain.com/pedaltrain-pro-gc/>>.*

Setting up, posted at Youtube.com, posted on Mar. 13, 2012, [online], [site visited Jun. 28, 2017]. Available from Internet, <<https://www.youtube.com/watch?v=P4YgKu2VthQ>>.*

* cited by examiner

Primary Examiner — Mary Ann Calabrese
Assistant Examiner — Catherine Ho
(74) *Attorney, Agent, or Firm* — Buche & Associates, P.C.; John K. Buche; Bryce A. Johnson

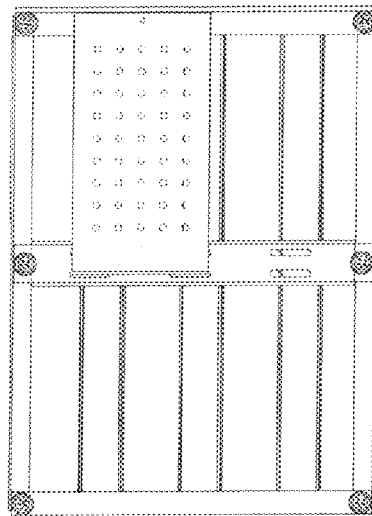
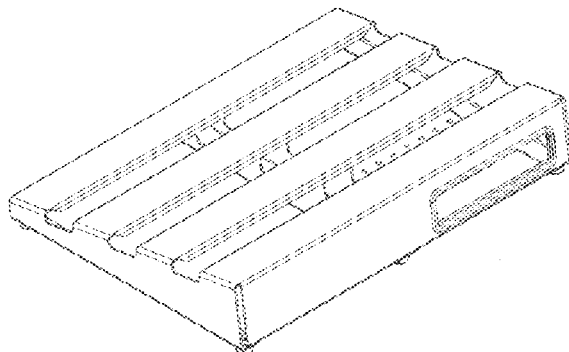
(57) **CLAIM**

I claim the ornamental design for a “pedal board,” as shown and described.

DESCRIPTION

FIG. 1 is a perspective view of a pedal board; FIG. 2 is a front view of the pedal board; FIG. 3 is a back view of the pedal board; FIG. 4 is a top view of the pedal board; FIG. 5 is a bottom view of the pedal board; FIG. 6 is a right side view of the pedal board; and, FIG. 7 is a left-side view of the pedal board. Broken lines illustrate environmental features and form no part of the claimed design.

1 Claim, 7 Drawing Sheets



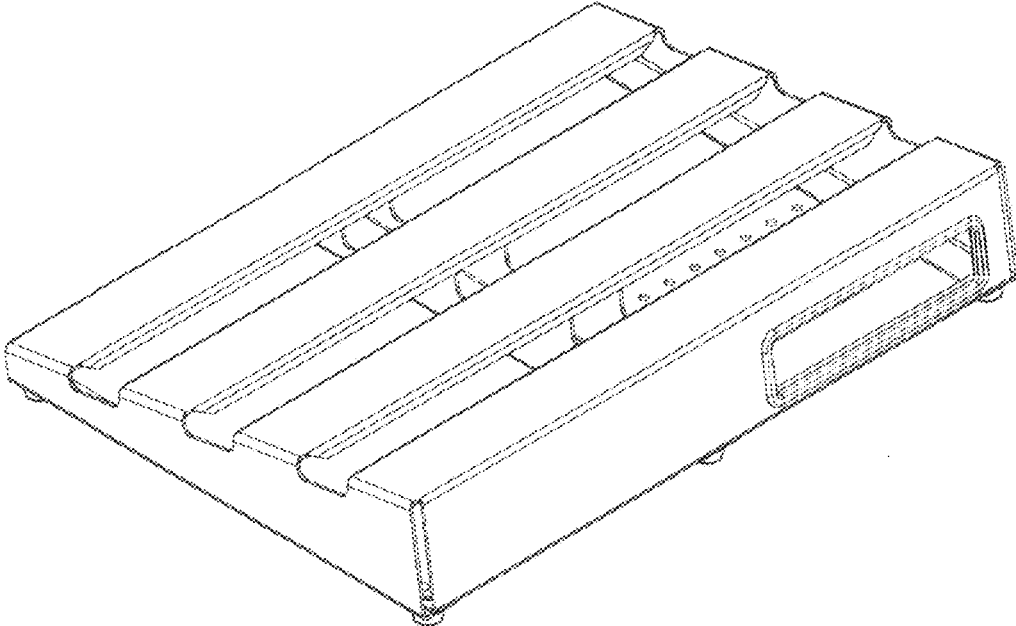


FIG. 1

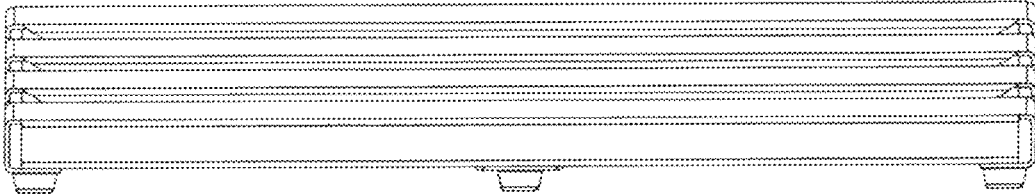


FIG. 2

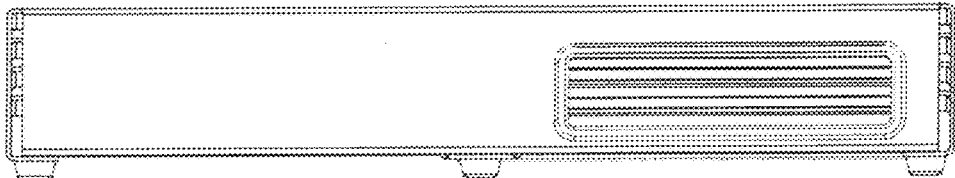


FIG. 3

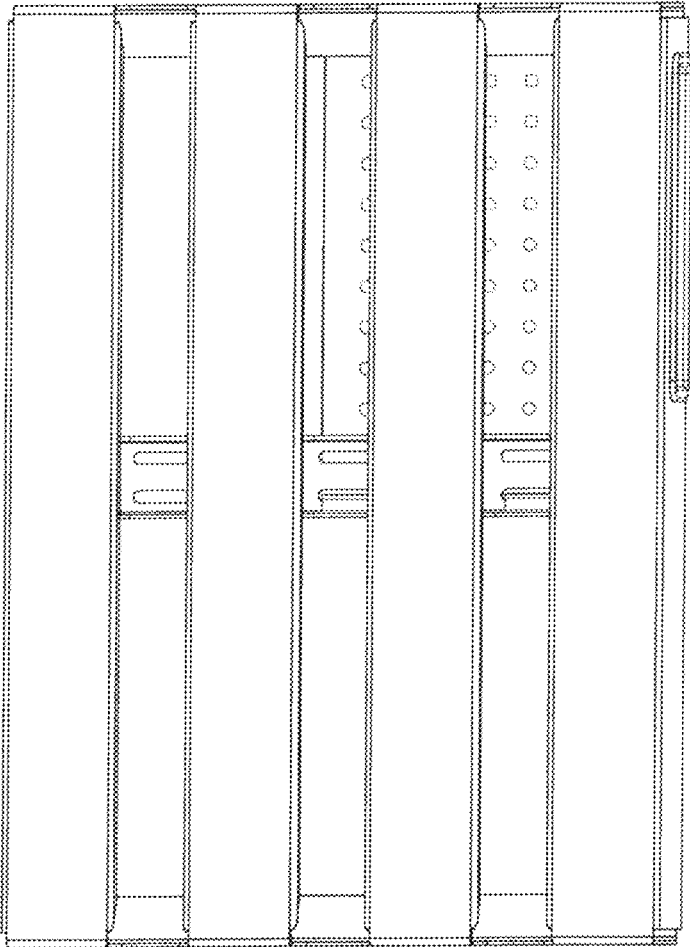


FIG. 4

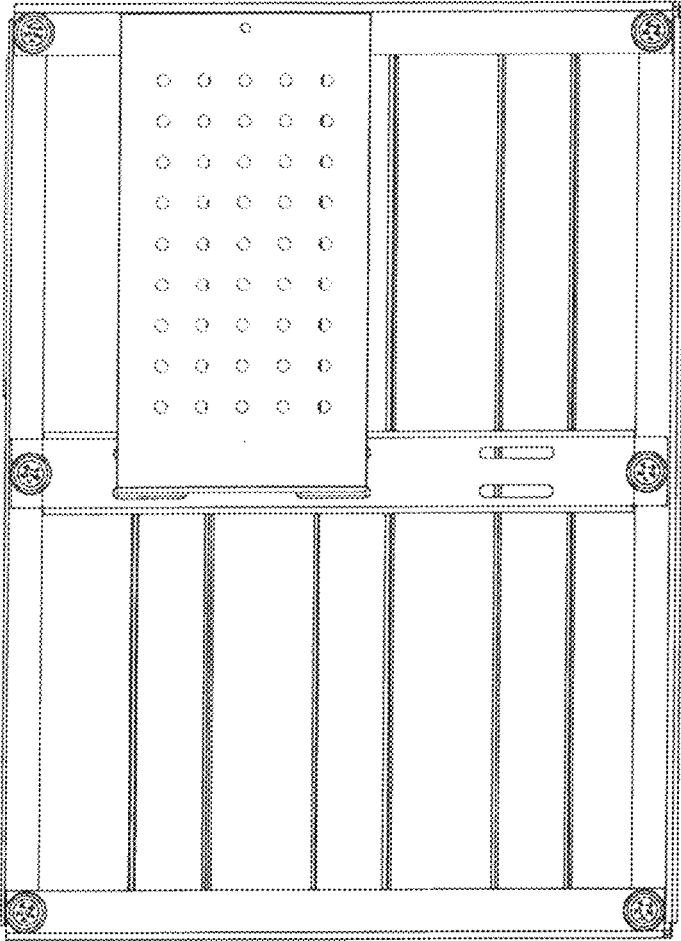


FIG. 5

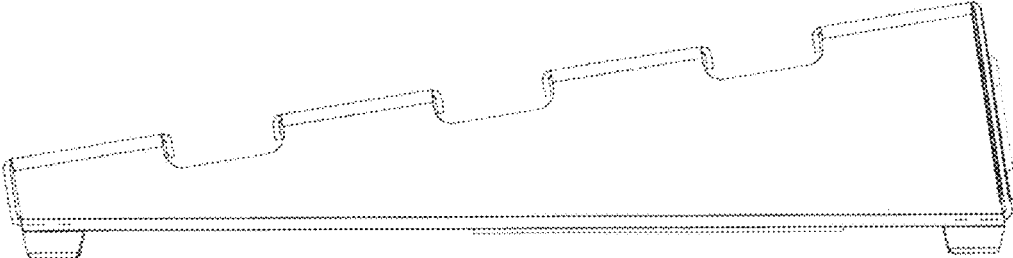


FIG. 6

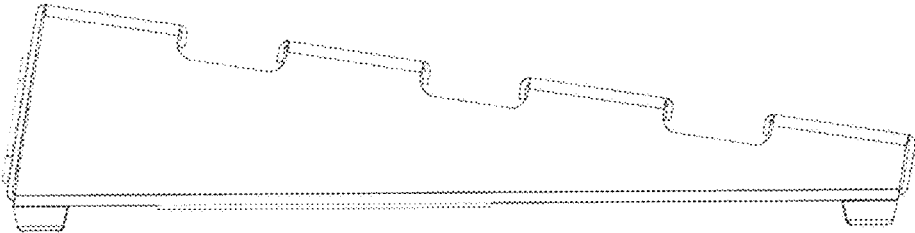


FIG. 7