



US00D826613S

(12) **United States Design Patent**  
**Potter**

(10) **Patent No.:** **US D826,613 S**

(45) **Date of Patent:** **\*\* Aug. 28, 2018**

(54) **CHAIR PAD**

(71) Applicant: **David Potter**, Los Angeles, CA (US)

(72) Inventor: **David Potter**, Los Angeles, CA (US)

(\*\*) Term: **15 Years**

(21) Appl. No.: **29/619,582**

(22) Filed: **Sep. 29, 2017**

(51) **LOC (11) Cl.** ..... **06-01**

(52) **U.S. Cl.**  
USPC ..... **D6/716.1; D6/601**

(58) **Field of Classification Search**  
USPC ..... D6/334-381, 716, 716.1-716.8, 601;  
D24/200

CPC .... A61H 2201/0149; A61H 2201/0138; A61H  
2201/1623; A61H 2201/0134

See application file for complete search history.

(56) **References Cited**

**U.S. PATENT DOCUMENTS**

D226,794	S *	5/1973	Welton	.....	D6/373
D275,354	S *	9/1984	Kaganas	.....	D6/375
D353,497	S *	12/1994	Bergkvist	.....	D6/334
D404,209	S *	1/1999	Hunsaker	.....	D6/334
6,077,238	A *	6/2000	Chung	.....	A61H 1/00 601/57
D452,092	S *	12/2001	Tseng	.....	D6/366
D536,893	S *	2/2007	Lifeng	.....	D6/367
D536,894	S *	2/2007	Potter	.....	D6/367
D539,067	S *	3/2007	Dayan	.....	D24/200
D539,068	S *	3/2007	Dayan	.....	D24/200
D610,362	S *	2/2010	Choi	.....	D6/367
D621,194	S *	8/2010	Chiang	.....	D6/601

D683,152	S *	5/2013	Potter	.....	D6/367
D723,822	S *	3/2015	Cai	.....	D6/356
D804,210	S *	12/2017	Borras Pons	.....	D6/367
D806,441	S *	1/2018	Pan	.....	D6/601
2001/0041852	A1 *	11/2001	Park	.....	A61H 7/007 601/157
2010/0145245	A1 *	6/2010	Chen	.....	A61H 9/0078 601/149

**OTHER PUBLICATIONS**

T4 Concepts & Designs, LLC, Product Catalog, 2007, T4 Concepts & Designs, LLC, Baton Rouge, LA, USA.

\* cited by examiner

*Primary Examiner* — Deanna L Pratt  
(74) *Attorney, Agent, or Firm* — Buche & Associates, P.C.; John K. Buche; Scott D. Compton

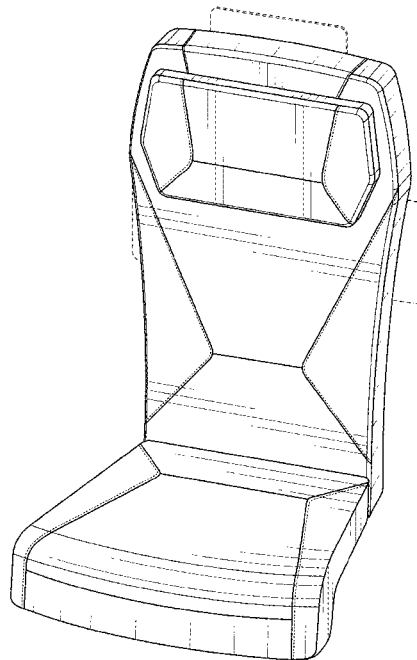
(57) **CLAIM**

The ornamental design for a chair pad, as shown and described.

**DESCRIPTION**

FIG. 1 is a front perspective view of a chair pad showing my new design;  
FIG. 2 is a front view of the chair pad;  
FIG. 3 is a rear view of the chair pad;  
FIG. 4 is a right side view of the chair pad;  
FIG. 5 is a left side view of the chair pad;  
FIG. 6 is a top view of the chair pad; and,  
FIG. 7 is a bottom view of the chair pad.  
The broken lines illustrate portions of the chair pad that form no part of the claimed design.

**1 Claim, 3 Drawing Sheets**



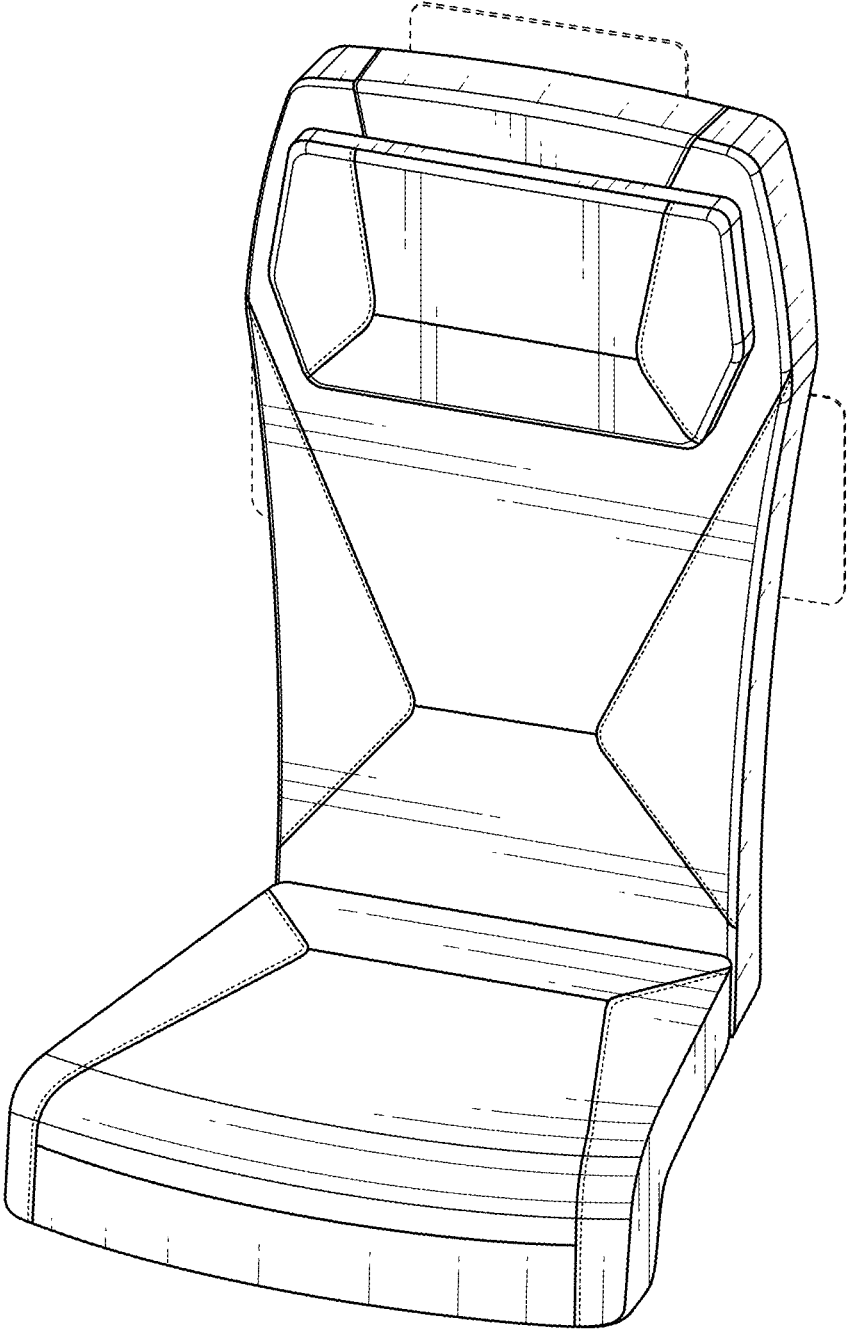


FIG. 1

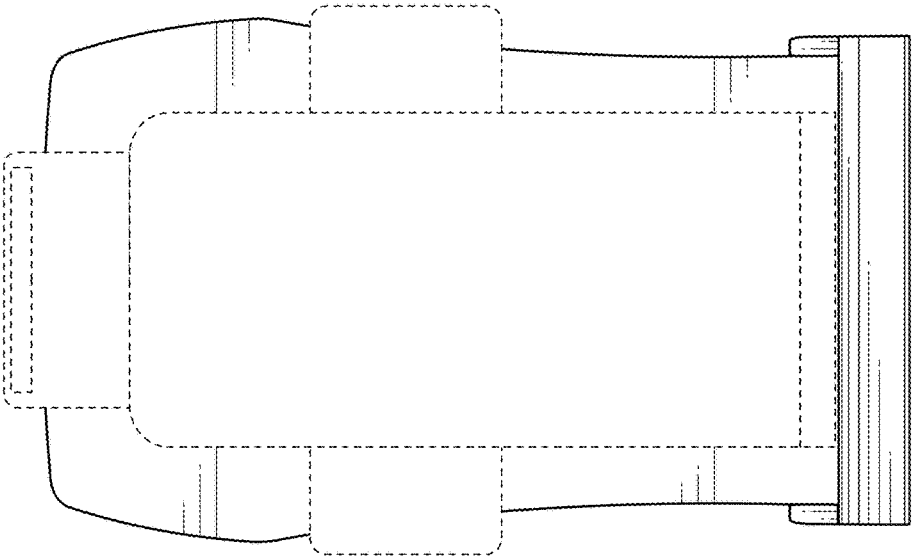


FIG. 3

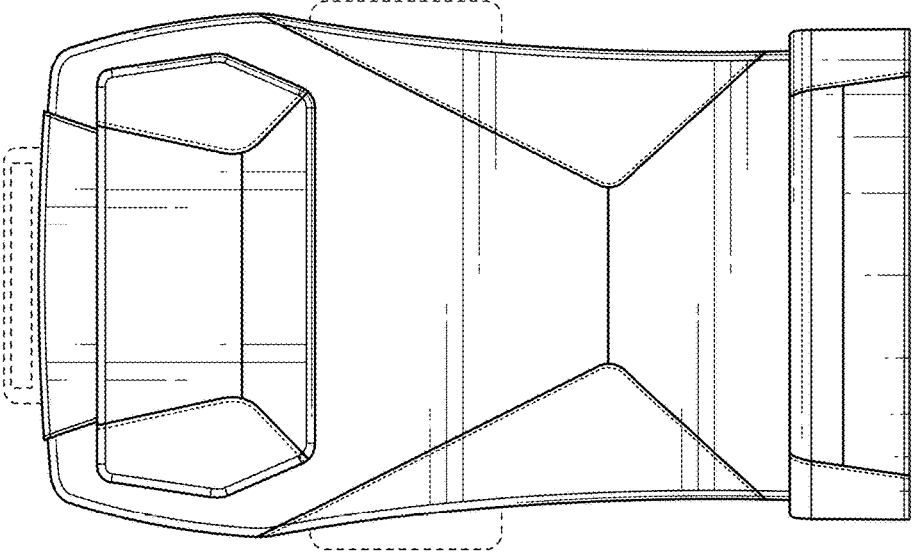


FIG. 2

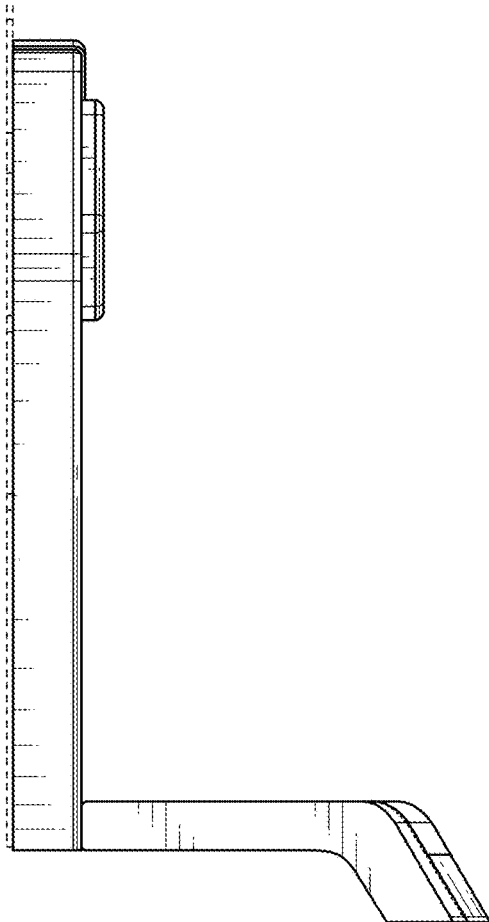


FIG. 4

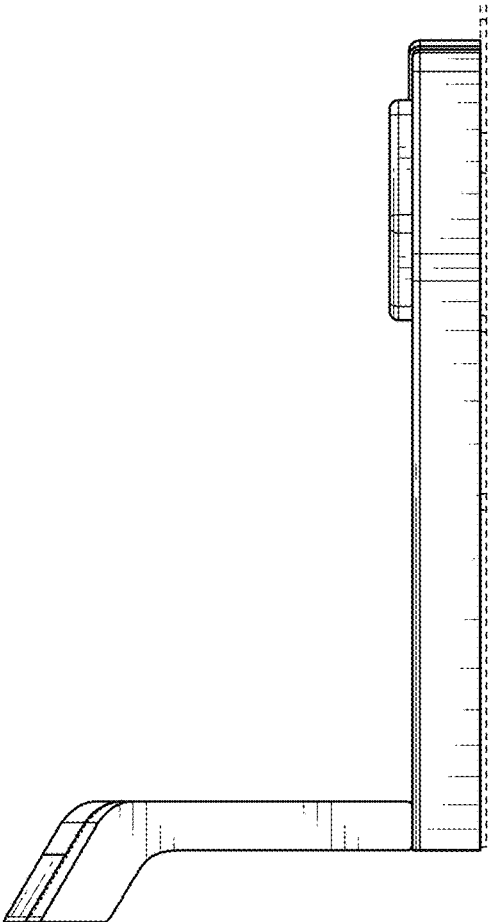


FIG. 5

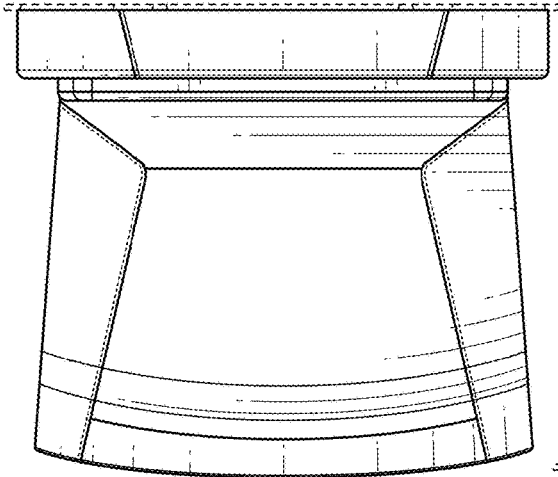


FIG. 6

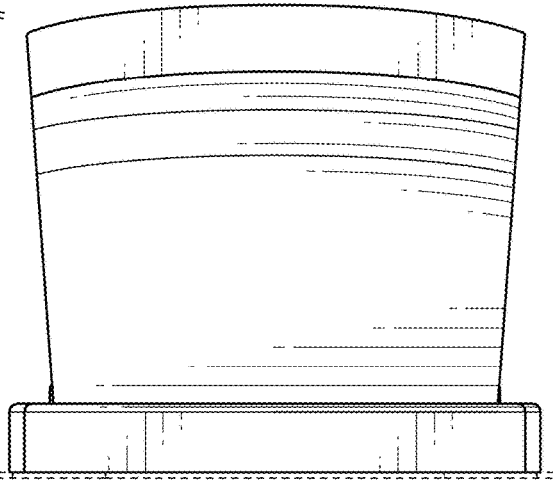


FIG. 7