



US00D837008S

(12) **United States Design Patent**  
**Crane**

(10) **Patent No.:** **US D837,008 S**

(45) **Date of Patent:** **\*\* Jan. 1, 2019**

(54) **BOTTLE OPENER**

(71) Applicant: **Bottle Breacher, LLC**, La Jolla, CA  
(US)

(72) Inventor: **Elijah Crane**, Tucson, AZ (US)

(\*\*) Term: **15 Years**

(21) Appl. No.: **29/610,477**

(22) Filed: **Jul. 12, 2017**

**Related U.S. Application Data**

(63) Continuation-in-part of application No. 29/610,466,  
filed on Jul. 12, 2017, now Pat. No. Des. 824,230.

(51) **LOC (11) Cl.** ..... **07-06**

(52) **U.S. Cl.**  
USPC ..... **D8/33**

(58) **Field of Classification Search**

USPC ..... D8/18, 33, 34, 40, 43, 88, 89, 105;  
D3/221, 254, 257, 258; D11/1, 7, 14, 17,  
D11/22, 30, 95, 99, 184, 204, 211;  
D21/301, 308, 314, 315, 316, 318, 319,  
D21/386, 398, 698, 701, 708, 712, 713,  
D21/780, 781, 788, 799.1; 30/400, 410;  
81/3.27, 3.29, 3.55; 7/126, 151; D1/106,  
D1/118, 126; D28/6, 8.2, 79, 87, 88  
CPC .... B67B 7/00; B67B 7/04; B67B 7/06; B67B  
7/12; B67B 7/14; B67B 7/16; B67B 7/18;  
B67B 7/0423; B25F 1/00

See application file for complete search history.

(56) **References Cited**

**U.S. PATENT DOCUMENTS**

D193,899 S \* 10/1962 Harrison ..... 81/3.4  
3,099,450 A \* 7/1963 Randall ..... A63H 33/18  
473/588  
D319,957 S \* 9/1991 Bergmeister ..... D8/40  
D404,681 S \* 1/1999 Galerneau ..... D11/121  
D409,889 S \* 5/1999 Kim ..... D8/38  
D421,372 S \* 3/2000 Wysopal ..... D3/211

D501,901 S \* 2/2005 Yu ..... D21/709  
D581,229 S \* 11/2008 Uglum ..... D8/38  
D631,204 S \* 1/2011 Dubitsky ..... D28/82  
D635,056 S \* 3/2011 De Nysschen ..... D11/184  
D638,884 S \* 5/2011 Shoemaker, Jr. .... D21/386  
D644,076 S \* 8/2011 Moman

(Continued)

**OTHER PUBLICATIONS**

Sphere Bottle Opener, Stuff of Dreams, YouTube, Aug. 7, 2014  
retrieved from Internet <<https://www.youtube.com/watch?v=CuFHejnV2d4>>.

*Primary Examiner* — Wan Laymon

*Assistant Examiner* — Clint A Samuel

(74) *Attorney, Agent, or Firm* — Buche & Associates,  
P.C.; John K. Buche; Bryce A. Johnson

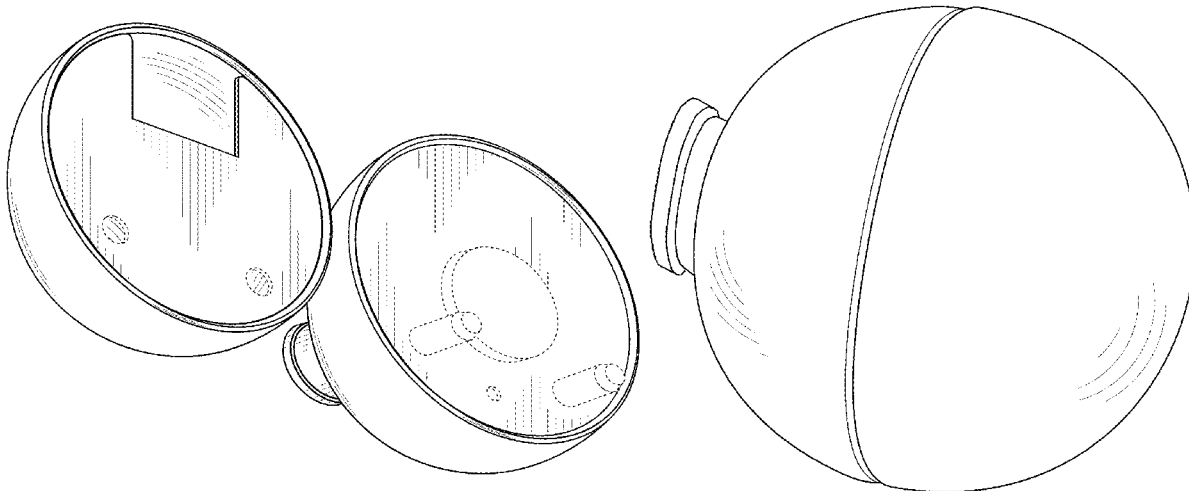
(57) **CLAIM**

I claim the ornamental design for “bottle opener,” as shown  
and described.

**DESCRIPTION**

FIG. 1 is a perspective view of a bottle opener shown in an  
open position;  
FIG. 2 is a front view of the bottle opener shown in an open  
position;  
FIG. 3 is a back view of the bottle opener shown in an open  
position;  
FIG. 4 is a bottom view of the bottle opener shown in an  
open position;  
FIG. 5 is a top view of the bottle opener shown in an open  
position;  
FIG. 6 is a right-side view of the bottle opener;  
FIG. 7 is a left-side view of the bottle opener; and,  
FIG. 8 is an environmental view of the bottle opener shown  
in a closed position.  
Broken lines illustrate environmental features and form no  
part of the claimed design.

**1 Claim, 5 Drawing Sheets**



(56)

**References Cited**

## U.S. PATENT DOCUMENTS

D644,077	S	8/2011	Moman	
D644,078	S	8/2011	Moman	
D653,807	S *	2/2012	Gelin .....	D21/713
D653,809	S *	2/2012	Gelin .....	D21/712
D673,021	S *	12/2012	Fernandez .....	D8/38
D691,679	S *	10/2013	Barrett .....	D21/707
D700,256	S *	2/2014	Besemer .....	D21/707
D726,028	S *	4/2015	Thompson .....	D28/7
D746,394	S *	12/2015	Fujisaki .....	D21/466
D747,995	S *	1/2016	McLaughlin .....	D11/1
D752,404	S *	3/2016	Pelgrom .....	D8/33
D767,688	S *	9/2016	Nelson .....	D21/398
D771,873	S *	11/2016	Teller .....	D28/82
D775,913	S *	1/2017	Knirr .....	D8/38
D783,376	S *	4/2017	Crane .....	D8/18
D798,408	S *	9/2017	Grill .....	D21/698
D804,099	S *	11/2017	Teller .....	D28/82
D809,617	S *	2/2018	Fujisaki .....	D21/780
D811,498	S *	2/2018	Finley .....	D21/708
D811,499	S *	2/2018	Simonds .....	D21/708
D813,326	S *	3/2018	Finley .....	D21/708
D815,219	S *	4/2018	Simonds .....	D21/708
2009/0133537	A1 *	5/2009	Uglum .....	B67B 7/16 81/3.37
2011/0024316	A1 *	2/2011	Ginsburg .....	A45D 40/0068 206/385

\* cited by examiner

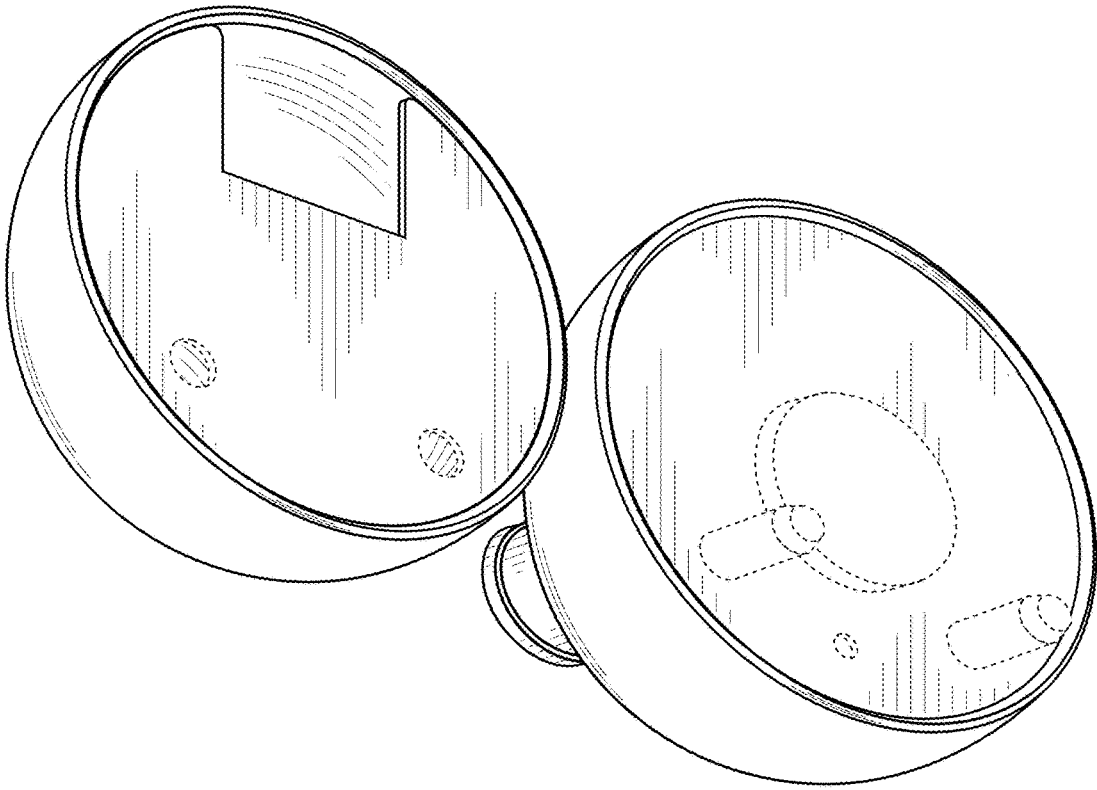


FIG. 1

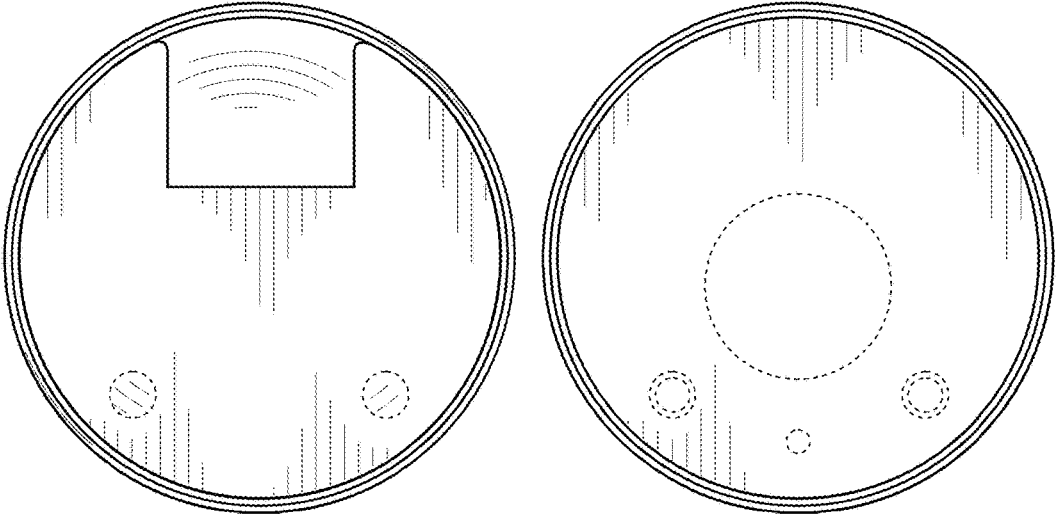


FIG. 2

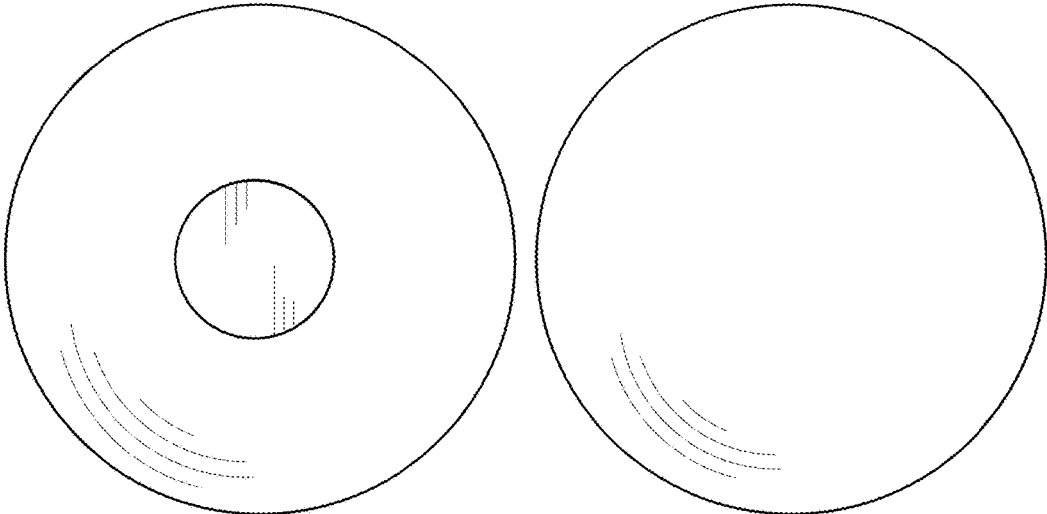


FIG. 3

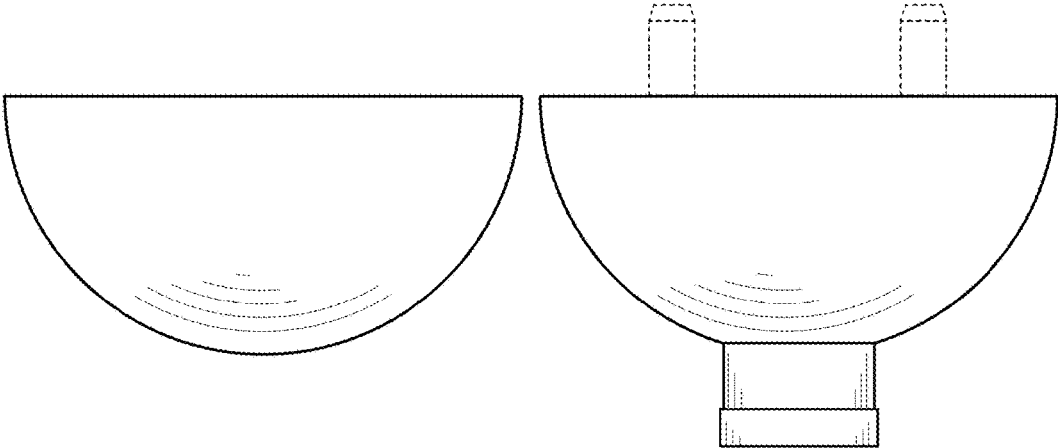


FIG. 4

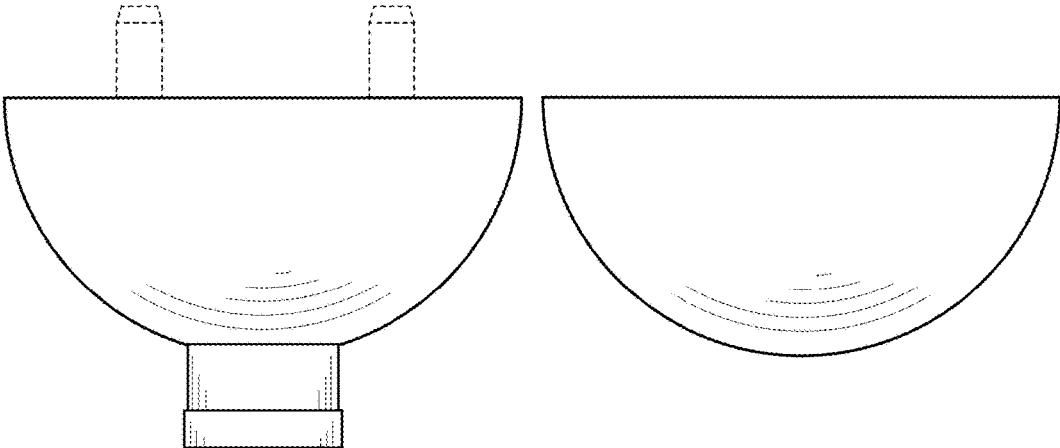


FIG. 5

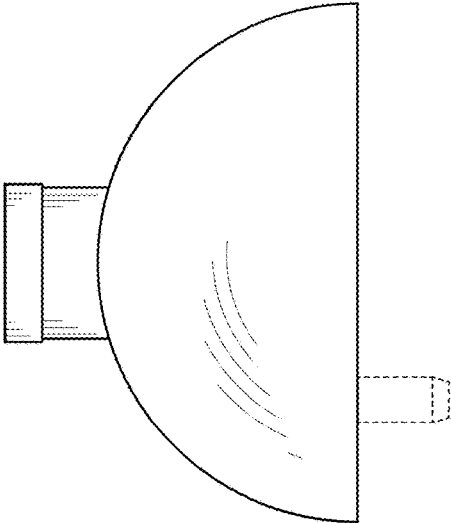


FIG. 6

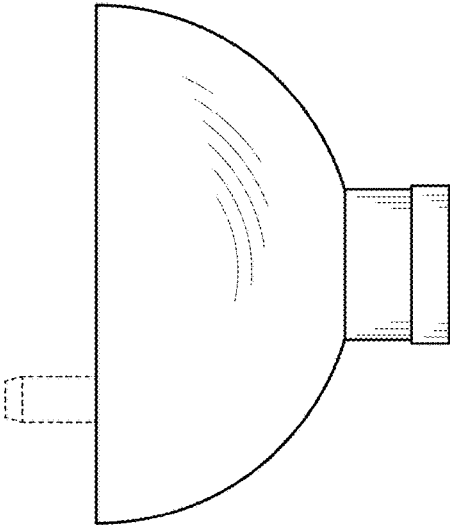


FIG. 7

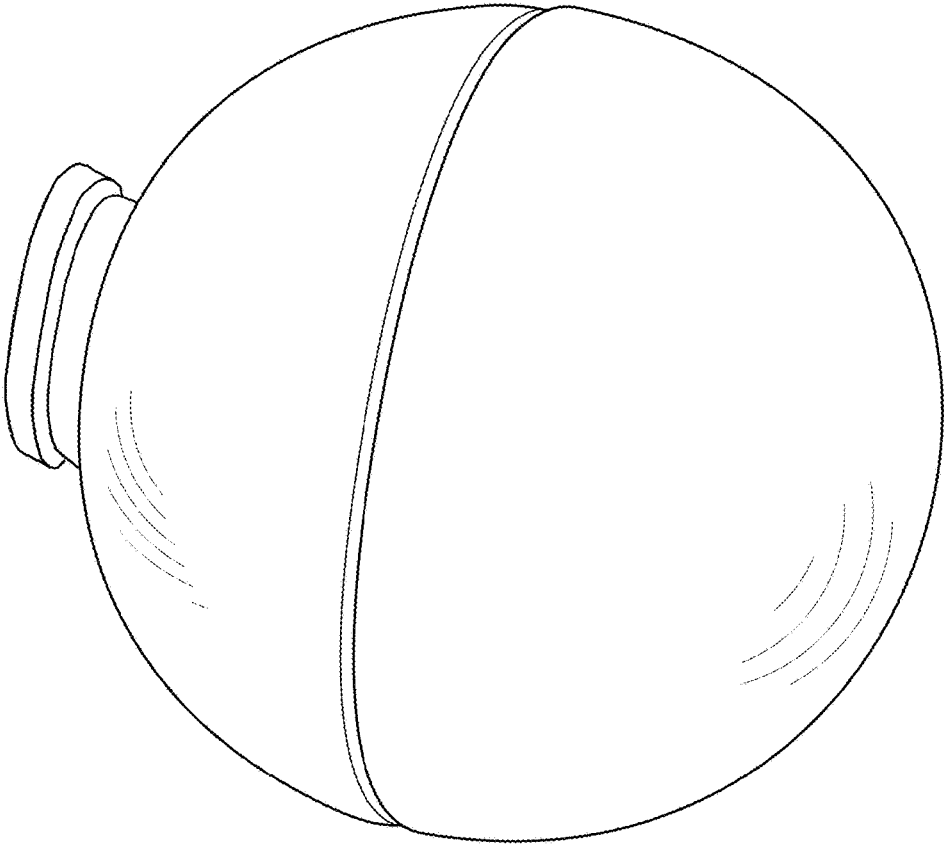


FIG. 8