



US00D848810S

(12) **United States Design Patent** (10) **Patent No.:** **US D848,810 S**
Kousens et al. (45) **Date of Patent:** **** May 21, 2019**

(54) **COMPENSATING FACE PLATE FOR VICE JAWS**

(71) Applicant: **Chicago Equipment Leasing Services Company**, La Jolla, CA (US)

(72) Inventors: **William Kousens**, El Cajon, CA (US);
Zachary Kousens, Carlsbad, CA (US);
Tam Nguyen, San Diego, CA (US)

(**) Term: **15 Years**

(21) Appl. No.: **29/649,652**

(22) Filed: **May 31, 2018**

Related U.S. Application Data

(60) Continuation-in-part of application No. 14/985,983, filed on Dec. 31, 2015, and a division of application No. PCT/US2016/049506, filed on Aug. 30, 2016.

(51) **LOC (11) Cl.** **08-05**

(52) **U.S. Cl.**
USPC **D8/74**

(58) **Field of Classification Search**
USPC D8/71-74, 394-399, 59; 248/63, 72, 248/74.1, 689, 124.2; 81/487, 385, 386, 81/388-390; 269/3, 4, 6, 143, 165, 240, 269/243, 246-249, 254 R, 147-149; 29/256, 257, 276; 408/103, 104-109
CPC B25B 1/00; B25B 5/00
See application file for complete search history.

(56) **References Cited**

U.S. PATENT DOCUMENTS

1,059,545 A 4/1913 Kunze
1,203,152 A 10/1916 Steudner
2,724,296 A 11/1955 Parrish
2,810,600 A 10/1957 Kendrick
3,077,346 A 2/1963 Lassy
4,632,374 A 12/1986 Yang
4,858,902 A 8/1989 Hickman

4,898,371 A 2/1990 Mills et al.
5,078,372 A 1/1992 Fitzpatrick
5,108,080 A 4/1992 James
6,022,010 A 2/2000 Bernstein
D433,613 S * 11/2000 Jialin D8/71
6,361,035 B1 3/2002 Collins
D458,826 S * 6/2002 Ray D8/72
6,971,643 B1 12/2005 Garrison
D683,607 S * 6/2013 Harvey 206/376
D684,030 S * 6/2013 Harvey 206/376
D685,828 S 7/2013 Sun
D702,523 S * 4/2014 Ingram D8/71
D716,627 S 11/2014 Lin

(Continued)

FOREIGN PATENT DOCUMENTS

EP 0950471 A2 10/1999
WO 2017/116513 A1 7/2017

Primary Examiner — David G Muller

(74) *Attorney, Agent, or Firm* — John K. Buche; Bryce A. Johnson; Buche & Associates, P.C.

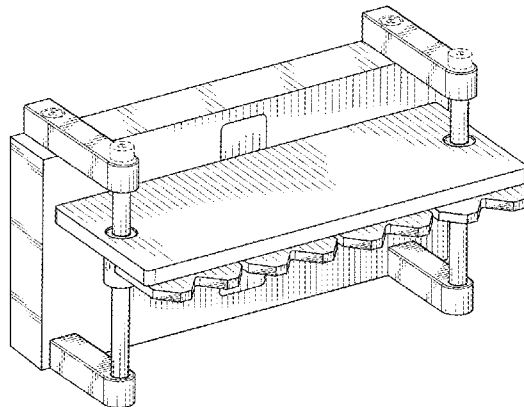
(57) **CLAIM**

I claim the ornamental design for a “compensating face plate vice jaws,” as shown.

DESCRIPTION

FIG. 1 is a top perspective view of a compensating face plate for vice jaws;
FIG. 2 is a bottom perspective thereof;
FIG. 3 is a front view thereof;
FIG. 4 is a rear view thereof;
FIG. 5 is a right-side elevation view thereof;
FIG. 6 is a left-side elevation view thereof;
FIG. 7 is a top plan view thereof;
FIG. 8 is a bottom plan view thereof; and,
FIG. 9 is an environmental view thereof.
Broken lines illustrate environmental features and form no part of the claimed design.

1 Claim, 5 Drawing Sheets



(56)

References Cited

U.S. PATENT DOCUMENTS

D727,708	S	*	4/2015	Kokke	D3/315
D736,076	S	*	8/2015	Chang	D8/396
D782,265	S	*	3/2017	Szucs	D8/71
D782,266	S	*	3/2017	Gamble	D8/72
D782,293	S	*	3/2017	Small	D8/395
D796,931	S		9/2017	Kousens et al.	
D803,654	S		11/2017	Kousens et al.	
D804,926	S	*	12/2017	Atkinson	D8/71
D804,927	S	*	12/2017	Ryan	D8/71
D815,507	S		4/2018	Mardaus	
D820,059	S	*	6/2018	Biec	D8/47
2017/0190024	A1		7/2017	Kousens et al.	

* cited by examiner

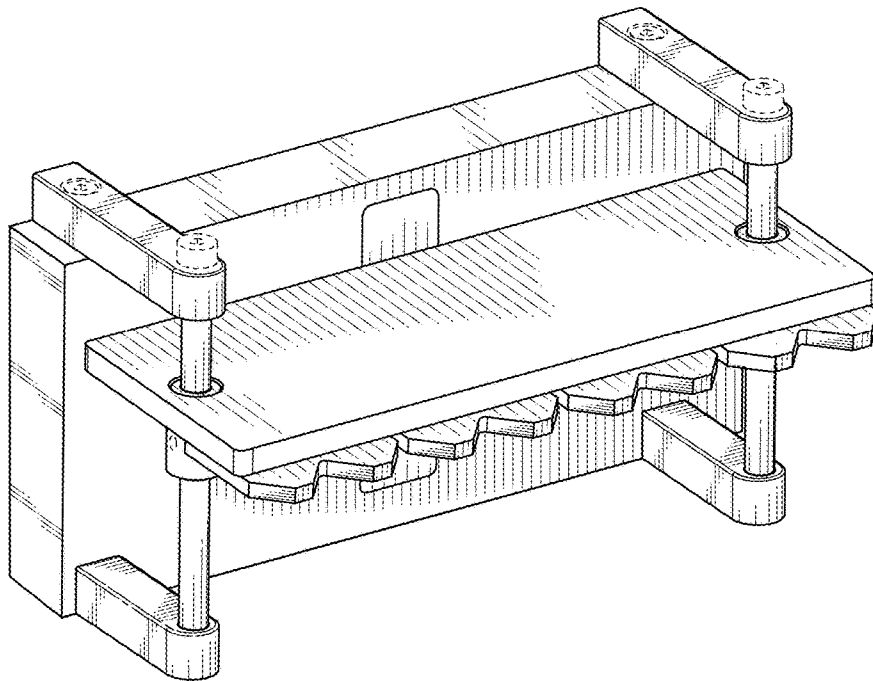


FIG. 1

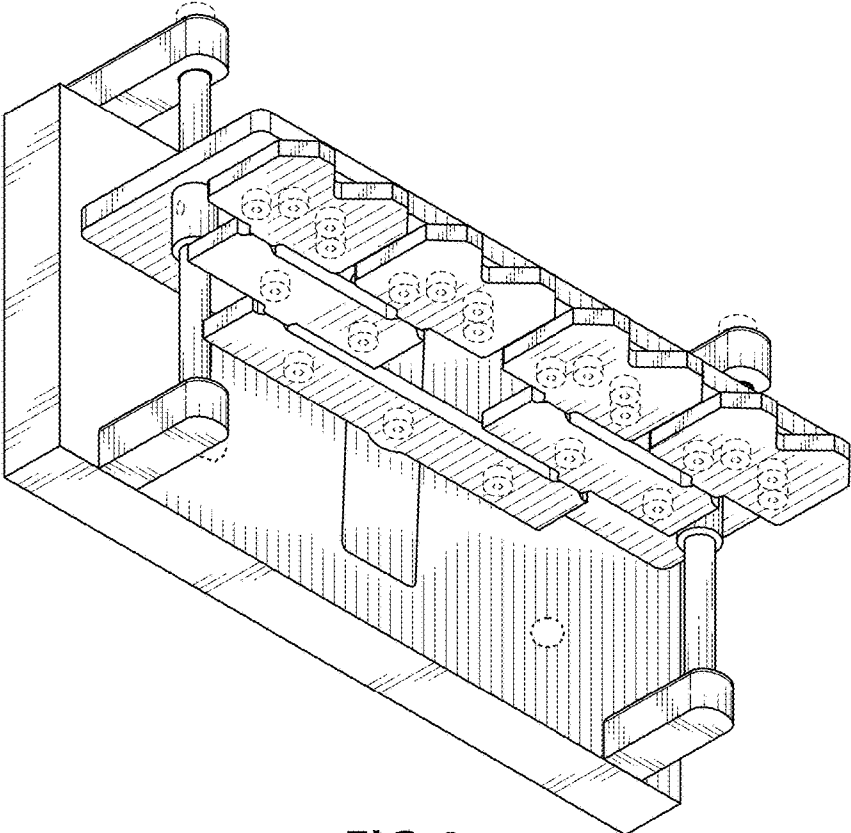


FIG. 2

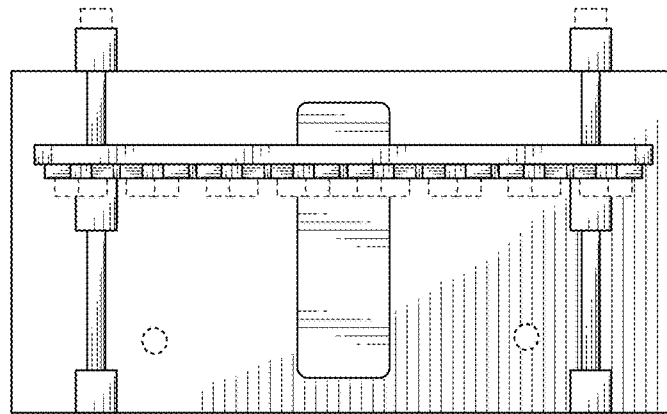


FIG. 3

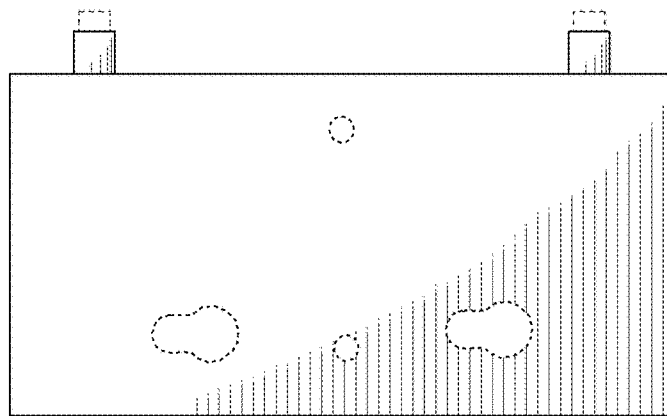


FIG. 4

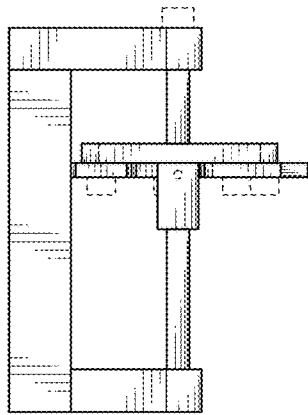


FIG. 5

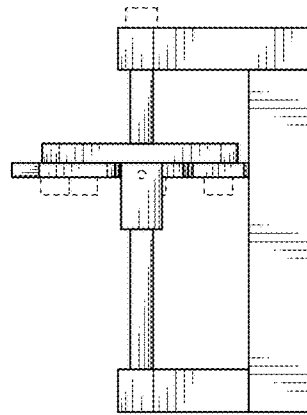


FIG. 6

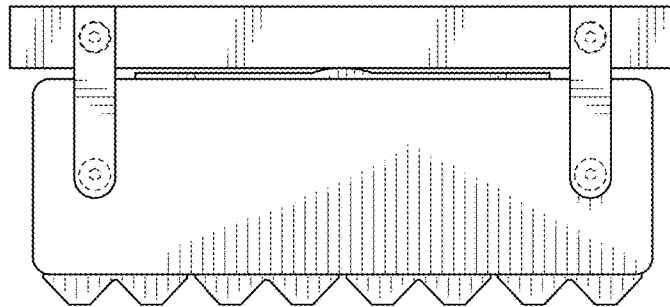


FIG. 7

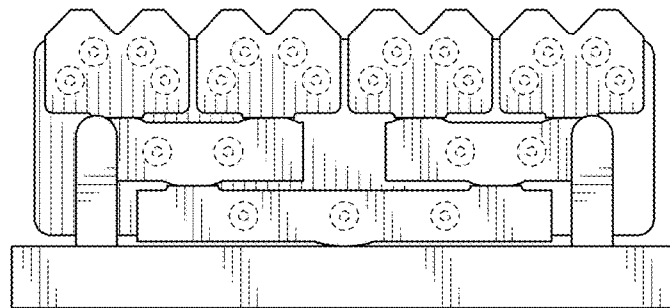


FIG. 8

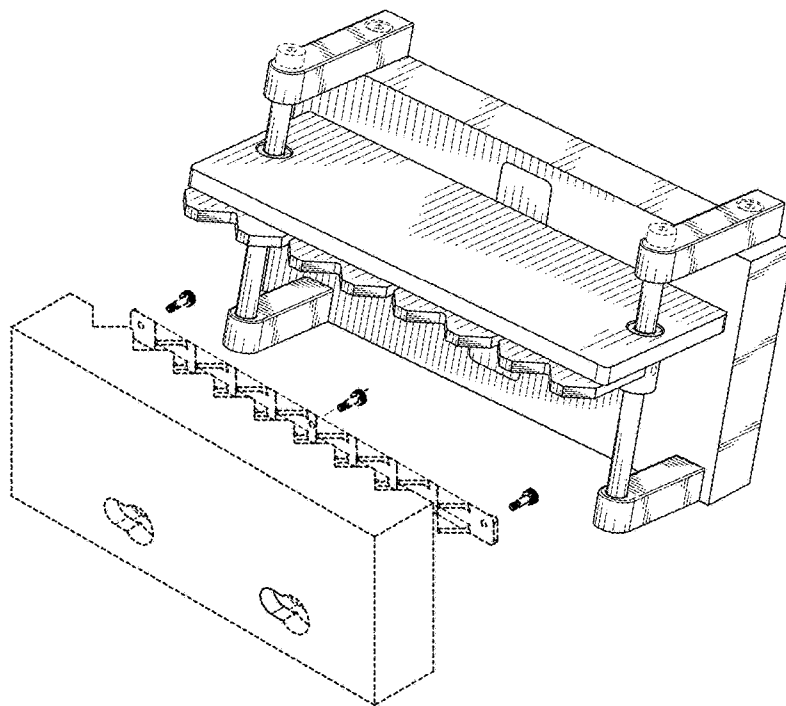


FIG. 9