



US00D859155S

(12) **United States Design Patent**  
**Reiley et al.**

(10) **Patent No.:** **US D859,155 S**

(45) **Date of Patent:** **\*\* Sep. 10, 2019**

- (54) **LID**
- (71) Applicants: **Nadiyah Reiley**, La Jolla, CA (US);  
**Adrian Reiley**, La Jolla, CA (US)
- (72) Inventors: **Nadiyah Reiley**, La Jolla, CA (US);  
**Adrian Reiley**, La Jolla, CA (US)
- (\*\*) Term: **15 Years**
- (21) Appl. No.: **29/631,054**
- (22) Filed: **Dec. 27, 2017**
- (51) **LOC (12) Cl.** ..... **09-07**
- (52) **U.S. Cl.**  
USPC ..... **D9/449**; D34/39
- (58) **Field of Classification Search**  
USPC ..... D9/428, 429, 432, 434, 435, 436, 439,  
D9/440, 443, 444, 445, 447, 449-455,  
D9/499, 500, 503, 504, 705; D7/317,  
D7/387, 391, 392, 392.1, 393, 396.1,  
D7/396.2, 509-511, 538, 900; D3/202,  
D3/203.2, 294, 302, 318; D28/91;  
D34/39; D32/53, 54  
CPC .. A61J 1/00; A61J 1/1412; B65D 1/00; B65D  
1/02; B65D 1/10; B65D 1/46; B65D  
2585/56; B65D 2585/545; B65D 41/00;  
B65D 41/38; B65D 41/56; B65D 41/62;  
B65D 47/00; B65D 47/06; B65D 47/08;  
B65D 2543/00046; B65D 2543/00092;  
B65D 2543/00296; B65D 5/46; B65D  
2251/00  
See application file for complete search history.

D385,791 S *	11/1997	Forsyth .....	D9/440
5,947,323 A *	9/1999	Freek .....	B65D 43/0256 220/254.3
D420,849 S *	2/2000	Jarvis .....	D7/391
D422,394 S *	4/2000	Scott .....	D34/39
D431,458 S *	10/2000	Bried .....	D3/203.2
D448,296 S *	9/2001	Bried .....	D9/449
D467,049 S *	12/2002	Kohn .....	D32/53.1
D535,877 S *	1/2007	Tanninen .....	D9/438
D537,341 S *	2/2007	Liebe .....	D9/447
D543,004 S *	5/2007	Pomilia .....	D34/39
D555,325 S *	11/2007	Roberts .....	D34/11
D642,915 S *	8/2011	Swingle .....	D9/440
D664,320 S *	7/2012	Sakko .....	D32/54
D673,047 S *	12/2012	Stamper .....	D9/453

(Continued)

*Primary Examiner* — Michael A. Pratt  
*Assistant Examiner* — Wendy L Arminio  
 (74) *Attorney, Agent, or Firm* — Buche & Associates,  
 P.C.; John K. Buche; Bryce A. Johnson

(57) **CLAIM**

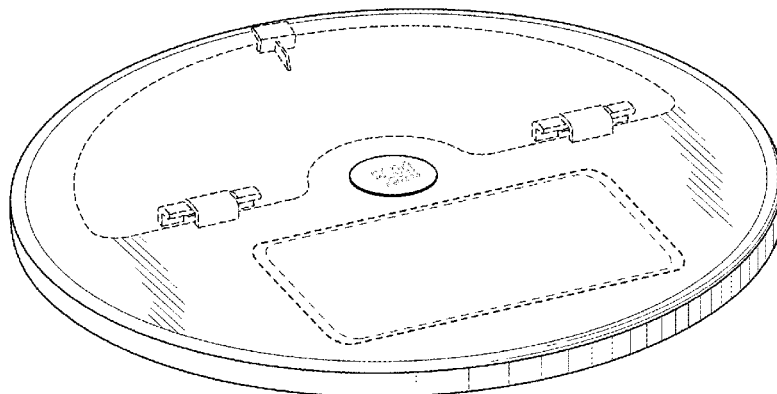
We claim the ornamental design for a lid, shown and described.

**DESCRIPTION**

FIG. 1 is a perspective view of the lid;  
 FIG. 2 is a top view of the lid of FIG. 1;  
 FIG. 3 is a bottom view of the lid of FIG. 1;  
 FIG. 4 is a left side view of the lid of FIG. 1;  
 FIG. 5 is a right side view of the lid of FIG. 1;  
 FIG. 6 is a front view of the lid of FIG. 1;  
 FIG. 7 is a back view of the lid of FIG. 1; and,  
 FIG. 8 is a perspective view of the lid of FIG. 1 shown in a position of use on an unclaimed container drum drawn in broken lines.  
 The broken lines in FIG. 8 illustrating a container drum depict environment and form no part of the claimed design. All other broken lines depict portions of the lid that form no part of the claimed design.

**1 Claim, 5 Drawing Sheets**

- (56) **References Cited**  
U.S. PATENT DOCUMENTS  
D101,166 S \* 9/1936 Forsberg ..... D9/454  
3,417,897 A \* 12/1968 Johnson ..... B65D 43/161  
220/254.3  
D214,360 S \* 6/1969 Huber ..... D34/39  
D382,203 S \* 8/1997 Fonville ..... D7/900



(56)

**References Cited**

U.S. PATENT DOCUMENTS

8,528,776	B2 *	9/2013	Treacy .....	B44D 3/123 211/DIG. 1
D692,720	S *	11/2013	Audette .....	D7/392
D713,248	S *	9/2014	Kotyuk .....	D9/454
D731,313	S *	6/2015	Kotyuk .....	D9/436
D784,811	S *	4/2017	Scevola .....	D7/387
D794,456	S *	8/2017	Rockwell .....	D9/434
D821,807	S *	7/2018	Yap .....	D7/391
2004/0089157	A1 *	5/2004	von Stackelberg, Jr. ....	A47L 5/365 96/406

\* cited by examiner

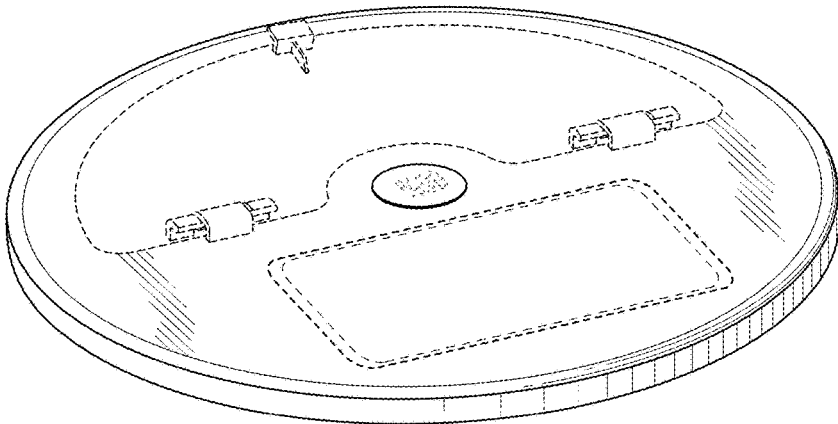


FIG. 1

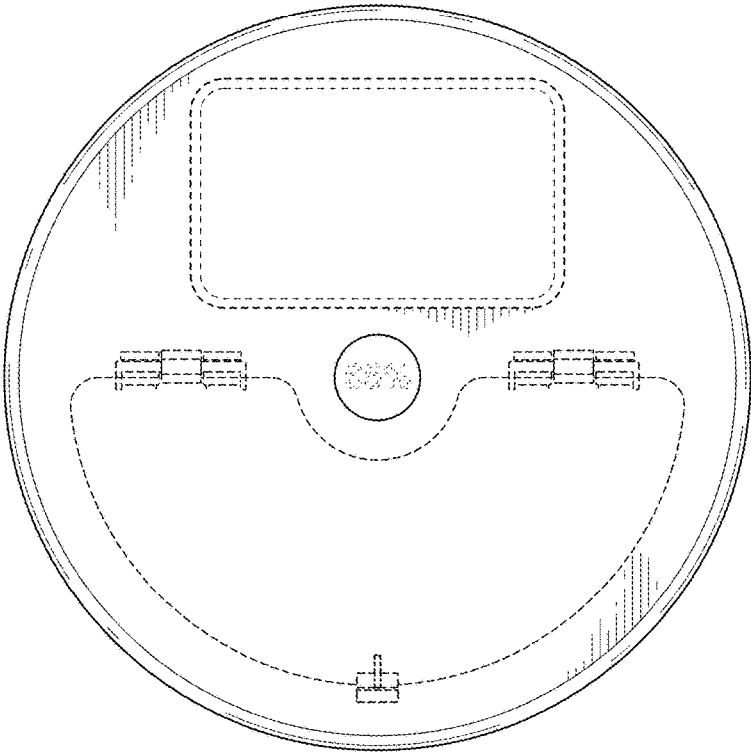


FIG. 2

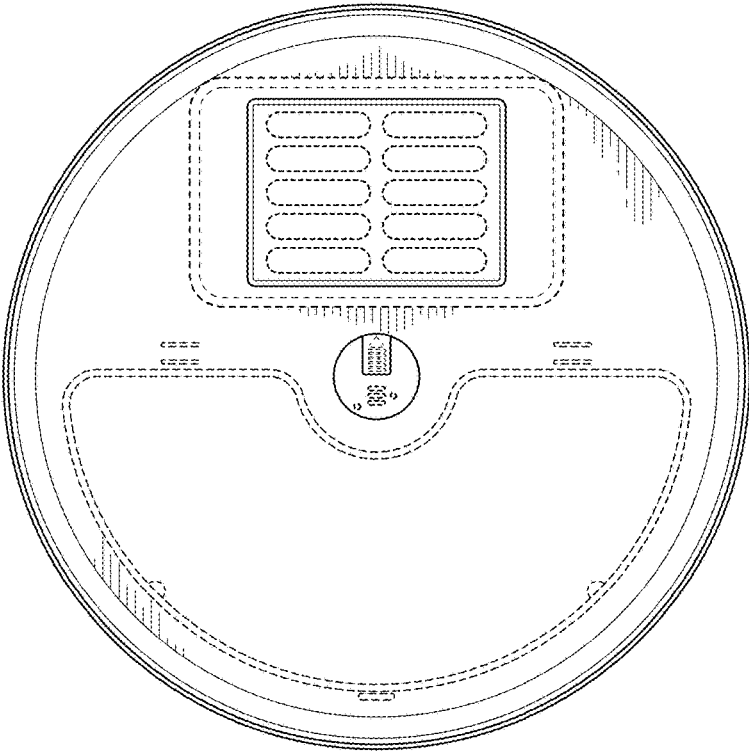


FIG. 3

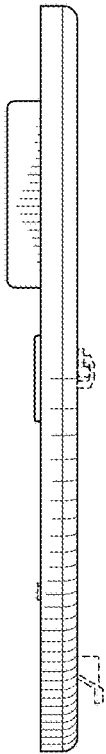


FIG. 4

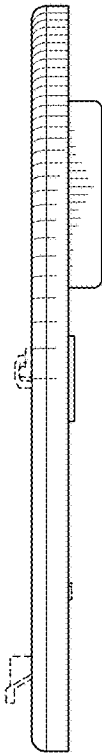


FIG. 5

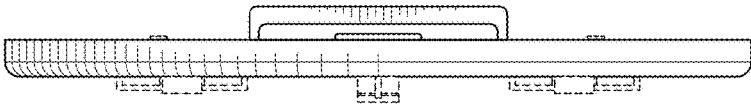


FIG. 6

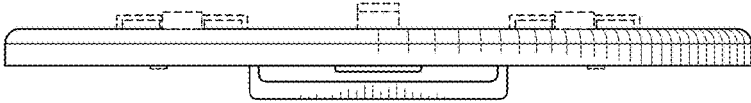


FIG. 7

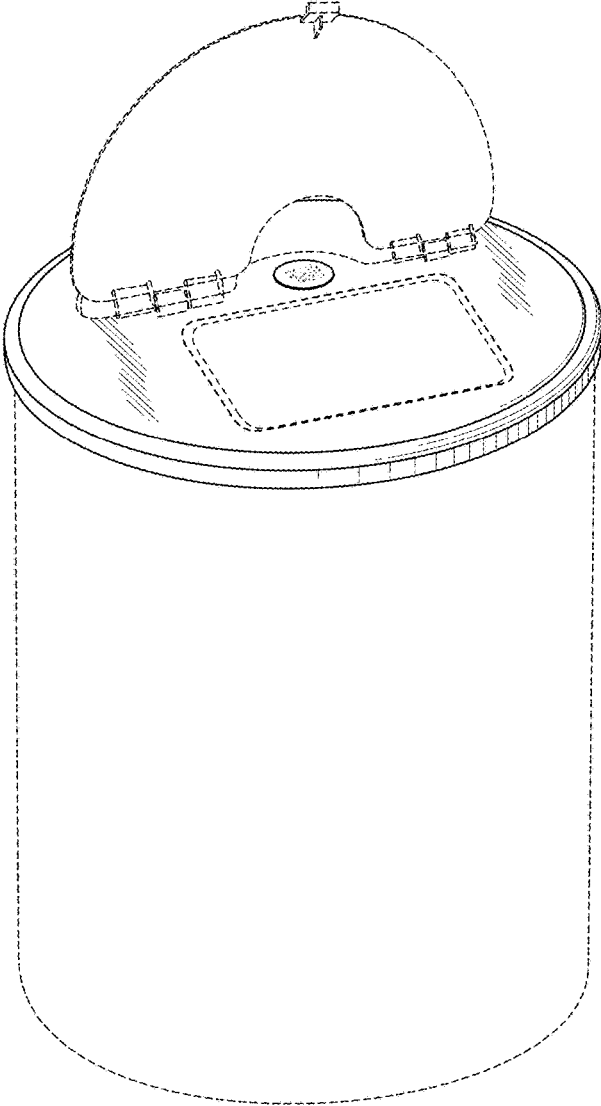


FIG. 8