



(12) **United States Design Patent**  
**Tidwell et al.**

(10) **Patent No.:** **US D863,958 S**  
(45) **Date of Patent:** **\*\* Oct. 22, 2019**

- (54) **CHILD-RESISTANT PACKAGE**
- (71) Applicants: **Justin Tidwell**, Brea, CA (US);  
**William Tidwell**, Brea, CA (US)
- (72) Inventors: **Justin Tidwell**, Brea, CA (US);  
**William Tidwell**, Brea, CA (US)

4,364,488 A 12/1982 Ajou  
 4,607,786 A 8/1986 Weaver  
 4,732,276 A 3/1988 Knecht  
 D310,588 S \* 9/1990 Valinsky ..... D30/161  
 5,301,804 A 4/1994 Focke et al.  
 (Continued)

(\*\*) Term: **15 Years**

(21) Appl. No.: **29/637,907**

(22) Filed: **Feb. 22, 2018**

(51) **LOC (12) Cl.** ..... **09-07**

(52) **U.S. Cl.**  
USPC ..... **D9/435**; D9/433; D9/420

(58) **Field of Classification Search**  
 USPC ..... D9/414-423, 424-429, 430-432, 433,  
 D9/434, 456, 457, 711, 713, 721-722,  
 D9/435  
 CPC ... B65D 5/00; B65D 5/02; B65D 5/18; B65D  
 5/20  
 See application file for complete search history.

(56) **References Cited**

**U.S. PATENT DOCUMENTS**

1,374,956 A	4/1921	Schneider	
2,568,170 A	9/1951	Ringler	
2,572,159 A	10/1951	Kells et al.	
2,826,296 A	3/1958	Mullinix	
3,037,684 A	6/1962	Andrews et al.	
3,049,281 A	8/1962	Vines	
3,233,818 A	2/1966	Bixler et al.	
3,263,899 A	8/1966	Collura et al.	
3,269,637 A *	8/1966	Whittaker	B65D 5/18 229/117.05
3,443,740 A	5/1969	McKinney	
3,865,322 A	2/1975	Hennessey	
3,866,745 A *	2/1975	Dlugopolski	B65D 5/0245 206/320
3,949,931 A	4/1976	Hall	
4,101,022 A *	7/1978	Watkins	B65D 5/0245 206/424
4,279,377 A	7/1981	Peeples et al.	

**FOREIGN PATENT DOCUMENTS**

EP 1847463 10/2007

*Primary Examiner* — Vy N Koenig  
(74) *Attorney, Agent, or Firm* — Buche & Associates,  
P.C.; John K. Buche; Bryce A. Johnson

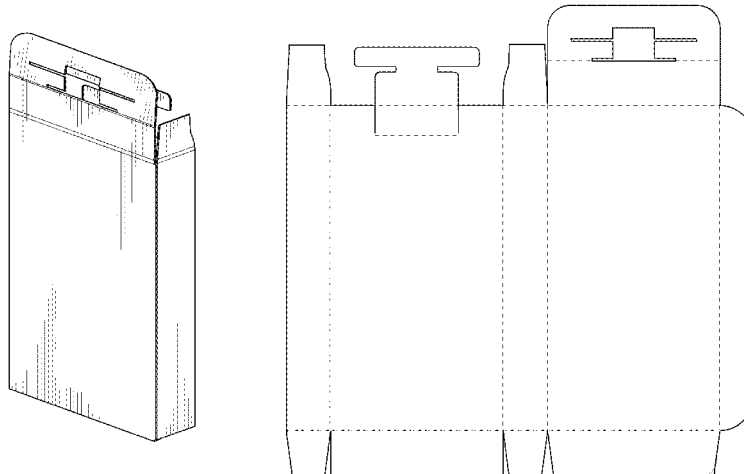
(57) **CLAIM**

We claim the ornamental design for a child-resistant package, as shown and described.

**DESCRIPTION**

FIG. 1 is a perspective view of a child-resistant package showing our new design;  
 FIG. 2 is a front view of the child-resistant package of FIG. 1;  
 FIG. 3 is a back view of the child-resistant package of FIG. 1;  
 FIG. 4 is a side view of the child-resistant package of FIG. 1;  
 FIG. 5 is a side view of the child-resistant package of FIG. 1;  
 FIG. 6 is a top view of the child-resistant package of FIG. 1;  
 FIG. 7 is a bottom view of the child-resistant package of FIG. 1; and,  
 FIG. 8 is a top plan view of the interior surface of the child-resistant package of FIG. 1 in an unfolded blank configuration.  
 Broken lines depict portions of the child-resistant package and form no part of the claimed design.

**1 Claim, 4 Drawing Sheets**



(56)

**References Cited**

U.S. PATENT DOCUMENTS

5,366,141	A	11/1994	Stone	
5,873,517	A	2/1999	Lisbon	
5,941,453	A	8/1999	Oliff	
6,102,277	A	8/2000	Krapohl, Sr.	
7,637,375	B2	12/2009	Sattel et al.	
7,815,098	B2	10/2010	Forman et al.	
D644,925	S *	9/2011	Jaworski .....	D9/423
D718,126	S *	11/2014	Kwon .....	D9/434
D823,107	S *	7/2018	Sanfilippo .....	D9/432
2001/0004086	A1	6/2001	Wiat	
2006/0266810	A1	11/2006	Foushee	
2007/0017963	A1	1/2007	Robinson	
2007/0095881	A1	5/2007	Manaige	

\* cited by examiner

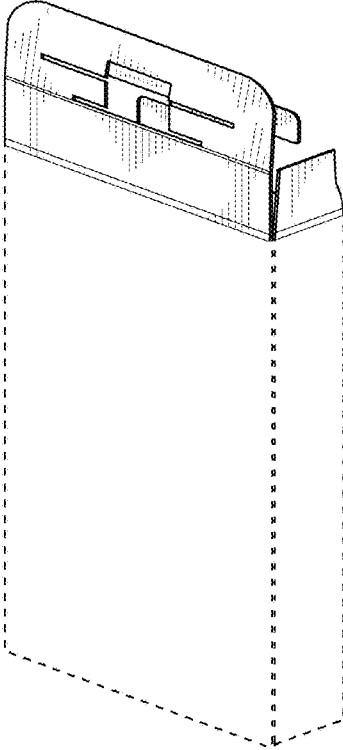


FIG. 1

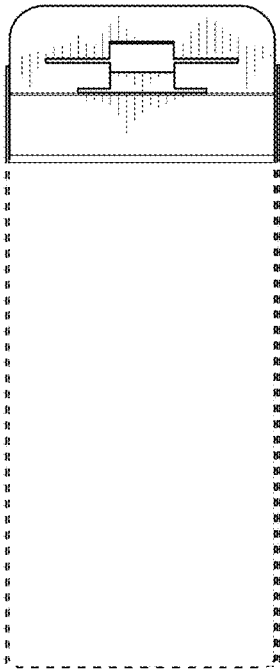


FIG. 2

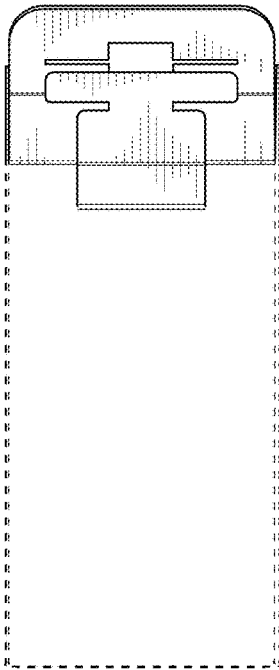


FIG. 3



FIG. 4



FIG. 5



FIG. 6



FIG. 7

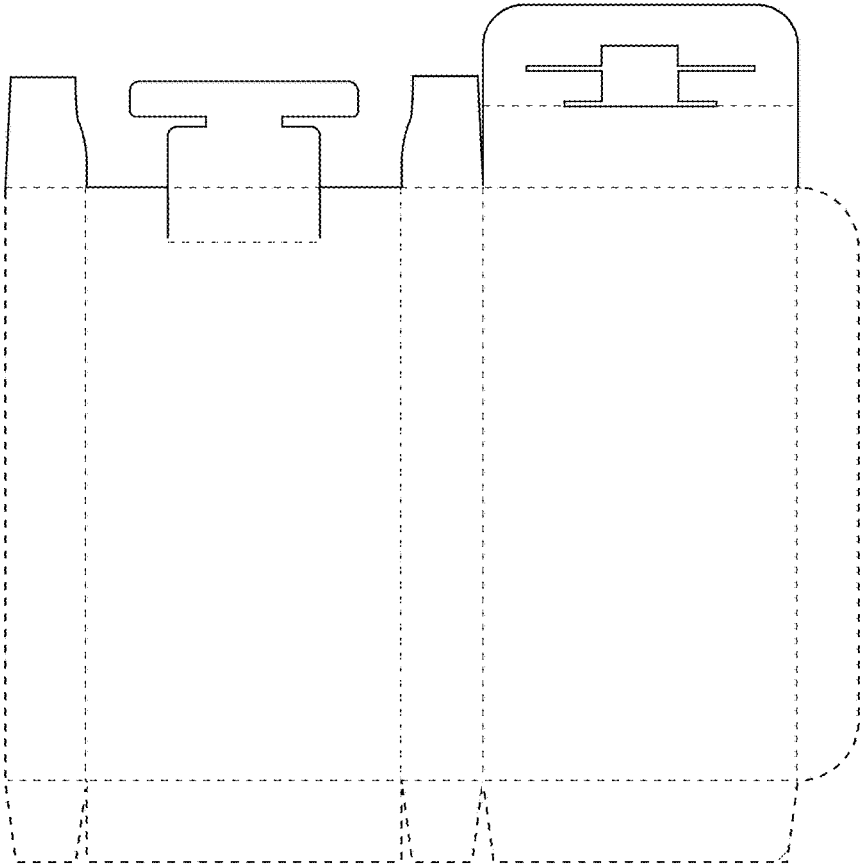


FIG. 8