



(12) **United States Design Patent**  
**Tidwell et al.**

(10) **Patent No.:** **US D865,529 S**  
(45) **Date of Patent:** **\*\* Nov. 5, 2019**

(54) **CONTAINER**

(71) Applicants: **Justin Tidwell**, Brea, CA (US);  
**William Tidwell**, Brea, CA (US)

(72) Inventors: **Justin Tidwell**, Brea, CA (US);  
**William Tidwell**, Brea, CA (US)

(\*\*) Term: **15 Years**

(21) Appl. No.: **29/635,538**

(22) Filed: **Jan. 31, 2018**

(51) **LOC (12) Cl.** ..... **09-01**

(52) **U.S. Cl.**  
USPC ..... **D9/529; D9/560; D9/574**

(58) **Field of Classification Search**  
USPC ..... D9/432, 434-436, 452, 516, 529, 544,  
D9/546, 559, 560, 564, 565, 570-575,  
D9/715, 719; D28/4, 7, 76, 83  
CPC ..... B65D 21/0204; B65D 2501/0081  
See application file for complete search history.

(56) **References Cited**

**U.S. PATENT DOCUMENTS**

D34,061 S	2/1901	Scattergood	
D65,326 S	7/1924	Cahalane	
2,076,551 A	4/1937	Conner	
2,077,215 A	4/1937	Conner	
2,077,216 A	4/1937	Conner	
2,711,766 A	6/1955	Archer et al.	
3,311,248 A	3/1967	Marchant	
D237,361 S	10/1975	Picker	
D441,284 S	5/2001	Saur et al.	
D478,513 S *	8/2003	Canamasas Puigbo	D9/529
D493,721 S	8/2004	Puigbo	
D498,424 S *	11/2004	Moretti	D9/560
D505,625 S *	5/2005	Servaux	D9/560
D506,128 S	6/2005	Foi	
D540,688 S *	4/2007	Lascaux	D9/560
D543,453 S *	5/2007	Fu	D21/392
D554,367 S	11/2007	Chou et al.	

D563,235 S *	3/2008	Canamasas Puigbo	D9/573
D563,795 S *	3/2008	Canamasas Puigbo	D9/573
D570,221 S *	6/2008	Moretti	D9/454
D571,219 S *	6/2008	McCoy	D9/544
D577,292 S *	9/2008	Moretti	D9/560
D578,891 S	10/2008	Puigbo	
D579,784 S *	11/2008	Varlet	D9/544
D604,630 S *	11/2009	Canamasas Puigbo	D9/560
D634,202 S	3/2011	Zamberlan et al.	
D635,030 S	3/2011	L'Abbate	
D638,300 S	5/2011	L'Abbate	

(Continued)

**FOREIGN PATENT DOCUMENTS**

CN	301921442	5/2012
CN	303603019	3/2016

*Primary Examiner* — Shannon W Morgan

*Assistant Examiner* — Keith Frank

(74) *Attorney, Agent, or Firm* — Buche & Associates,  
P.C.; John K. Buche; Bryce A. Johnson

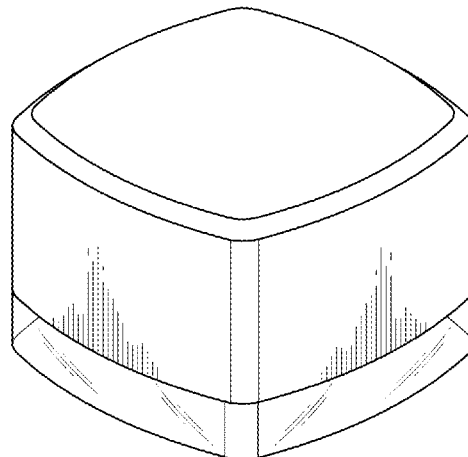
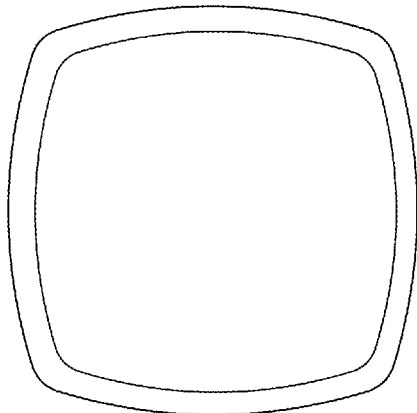
(57) **CLAIM**

We claim the ornamental design for a container, as shown and described.

**DESCRIPTION**

FIG. 1 is a perspective view of the container showing our new design, with the top portion separated from the bottom; FIG. 2 is a left side elevation view thereof; FIG. 3 is a right side elevation view thereof; FIG. 4 is a front elevation view thereof; FIG. 5 is a rear elevation view thereof; FIG. 6 is a top plan view thereof; FIG. 7 is a bottom plan view thereof; and, FIG. 8 is a perspective view thereof with the top and bottom portions in the closed condition. Broken lines depict portions of the container and form no part of the claimed design.

**1 Claim, 5 Drawing Sheets**



(56)

**References Cited**

## U.S. PATENT DOCUMENTS

D641,257 S	7/2011	Rhiebaut et al.	
D739,741 S	7/2011	Thiebaut et al.	
D663,524 S *	7/2012	Penttinen .....	D3/273
D668,143 S *	10/2012	Akana .....	D14/496
D672,554 S *	12/2012	Penttinen .....	D3/273
D734,550 S *	7/2015	Schlatter .....	D28/83
D756,037 S *	5/2016	Schlatter .....	D28/85
D764,799 S *	8/2016	Ball .....	D3/302
D781,151 S	3/2017	Lerman	
D785,458 S *	5/2017	Futagami .....	D9/529
D786,078 S *	5/2017	Futagami .....	D28/8
D787,895 S *	5/2017	Kilduff .....	D7/629
D797,559 S	9/2017	Lerman	
D799,328 S *	10/2017	Canamasas Puigbo .....	D9/529
D808,080 S *	1/2018	Corey .....	D28/85
D829,554 S *	10/2018	Liston .....	D9/529
D833,866 S *	11/2018	Lihotzky .....	D9/432
D834,377 S *	11/2018	Zoske .....	D7/629

\* cited by examiner

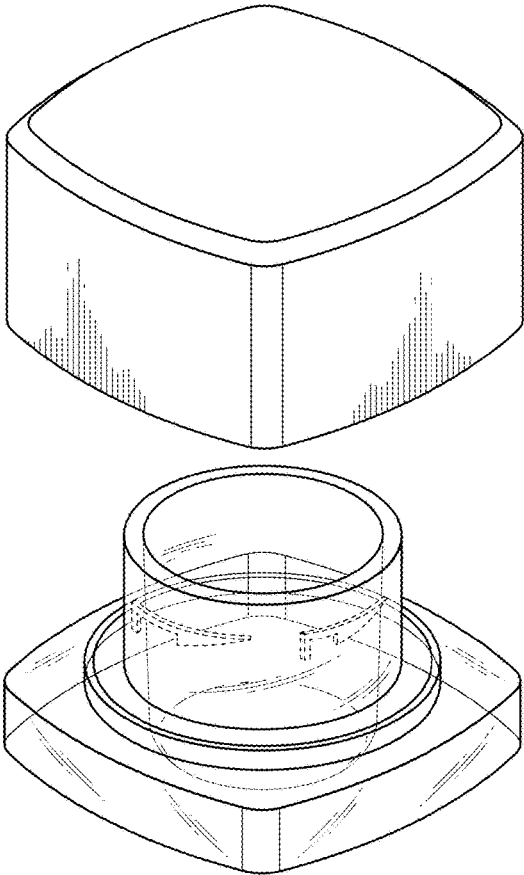


FIG. 1

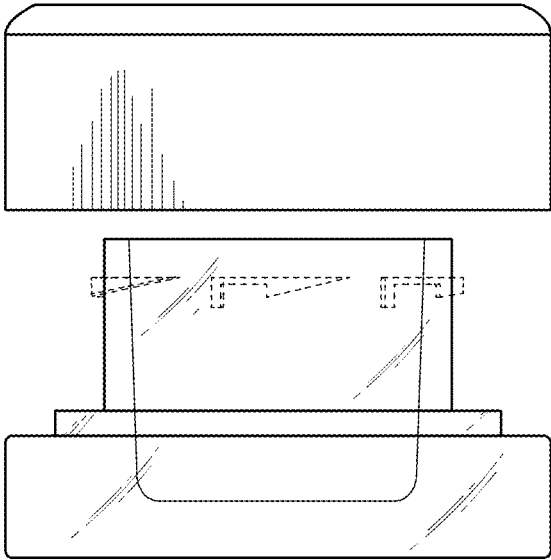


FIG. 2

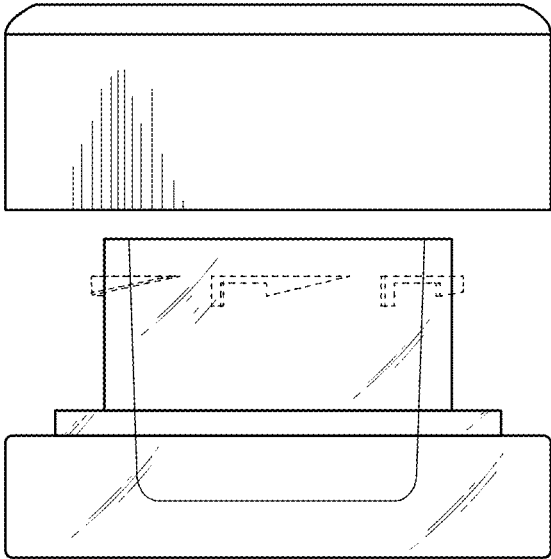


FIG. 3

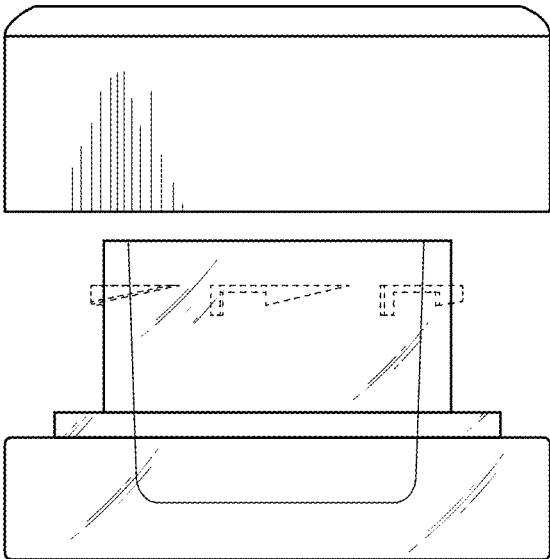


FIG. 4

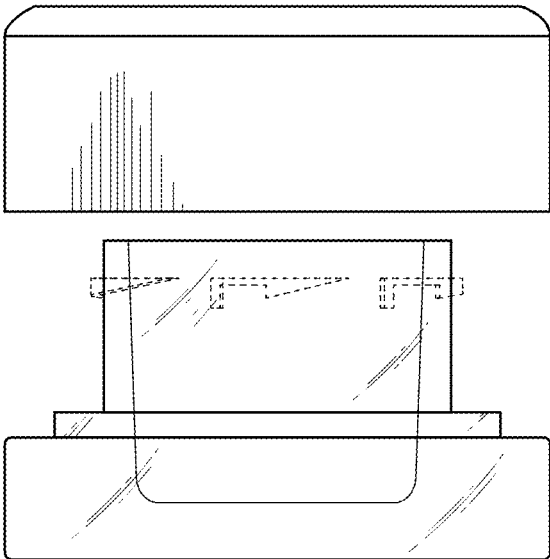


FIG. 5

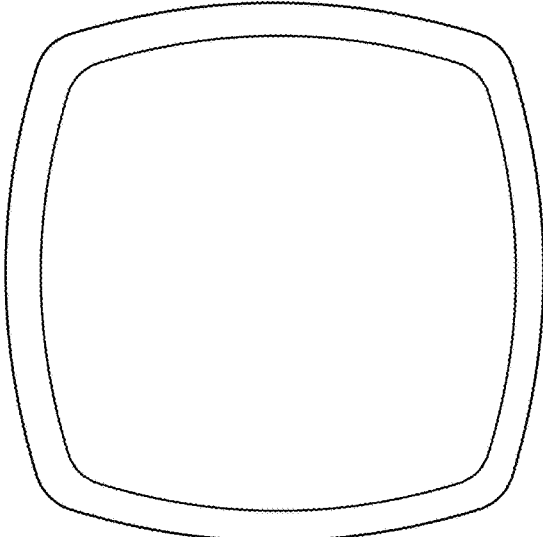


FIG. 6

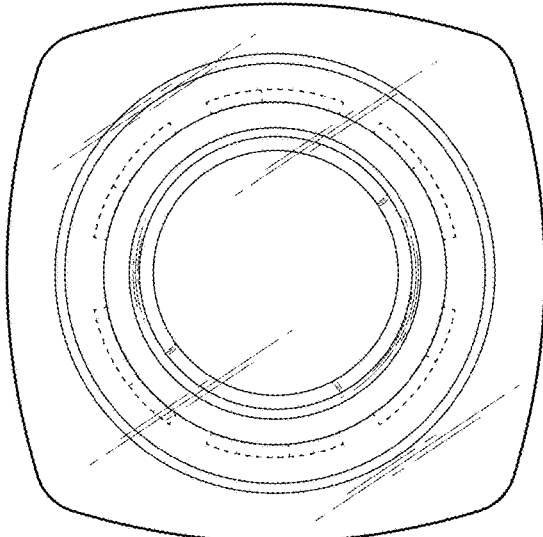


FIG. 7

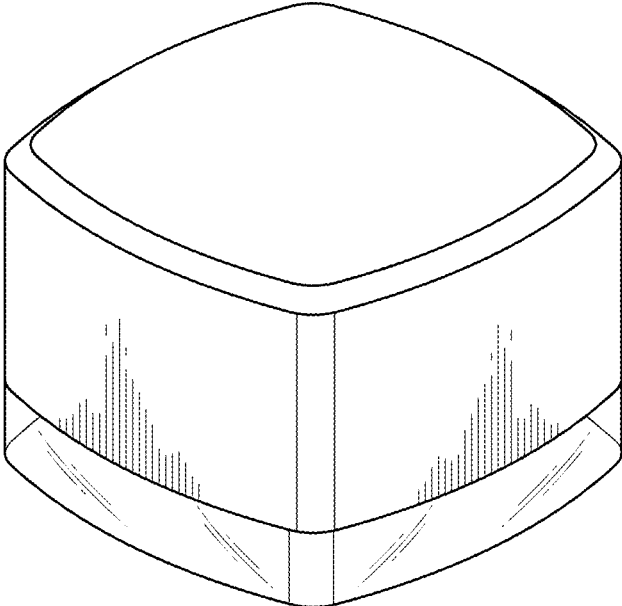


FIG. 8