



US00D891036S

(12) **United States Design Patent** (10) **Patent No.:** **US D891,036 S**
McGowan, Sr. (45) **Date of Patent:** **** Jul. 28, 2020**

(54) **UNDERGARMENT**

2019/0125002 A1* 5/2019 Cox A41B 9/026

* cited by examiner

(71) Applicant: **Calvin Ray McGowan, Sr.**, Cleveland, TX (US)

Primary Examiner — Barbara Fox

Assistant Examiner — J. Thorn, Sr.

(72) Inventor: **Calvin Ray McGowan, Sr.**, Cleveland, TX (US)

(74) *Attorney, Agent, or Firm* — Buche & Associates, P.C.; John K. Buche; Scott D. Compton

(**) Term: **15 Years**

(21) Appl. No.: **29/685,747**

(57) **CLAIM**

The ornamental design for an undergarment, as shown and described.

(22) Filed: **Mar. 29, 2019**

(51) **LOC (12) Cl.** **02-01**

(52) **U.S. Cl.**

USPC **D2/712**

(58) **Field of Classification Search**

USPC D2/712-714, 716, 731; 2/238, 403, 406; D5/47

CPC .. A41B 9/00; A41B 9/001; A41B 9/02; A41B 9/04

See application file for complete search history.

DESCRIPTION

FIG. 1 is a front perspective view of an undergarment showing my new design;

FIG. 2 is a front elevation view thereof;

FIG. 3 is a back elevation view thereof;

FIG. 4 is a right side view thereof;

FIG. 5 is a left side view thereof;

FIG. 6 is a top view thereof;

FIG. 7 is a bottom view thereof;

FIG. 8 is a front perspective view of the undergarment turned inside-out;

FIG. 9 is a front elevation view of the undergarment turned inside-out;

FIG. 10 is a back elevation view of the undergarment turned inside-out;

FIG. 11 is a right side view of the undergarment turned inside-out;

FIG. 12 is a left side view of the undergarment turned inside-out;

FIG. 13 is a top view of the undergarment turned inside-out; and,

FIG. 14 is a bottom view of the undergarment turned inside-out.

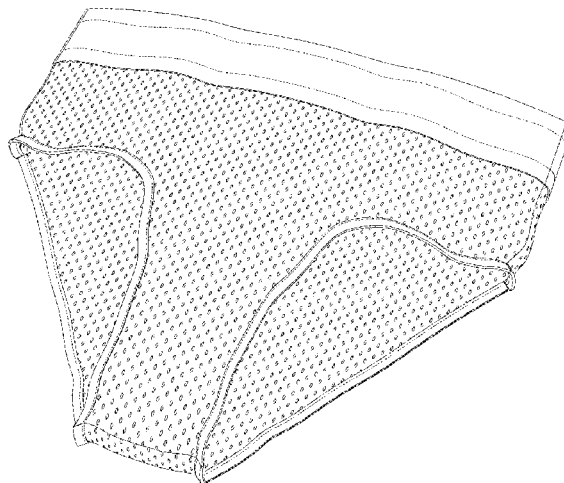
The broken lines shown in the drawings depict portions of the undergarment that form no part of the claimed design.

(56) **References Cited**

U.S. PATENT DOCUMENTS

2,027,987	A *	1/1936	Reis	A41B 9/02
					2/402
5,920,914	A *	7/1999	Dempsey	A41B 9/02
					2/400
D418,966	S *	1/2000	Walsh	D2/712
D630,413	S *	1/2011	Calabria	D2/712
8,108,950	B1 *	2/2012	Bowersox-Evans	A41B 9/04
					2/406
D667,198	S *	9/2012	Calabria	D2/712
D685,998	S *	7/2013	Robbins, III	D5/47
D699,908	S *	2/2014	Fang	D32/40
D772,535	S *	11/2016	McArthur	D2/731
D779,786	S *	2/2017	McArthur	D2/731
D789,035	S *	6/2017	Terrell	D2/731
D874,091	S *	2/2020	Williams	D2/712
2009/0118574	A1 *	5/2009	Stephenson	A41B 9/04
					600/38
2011/0225700	A1 *	9/2011	Kogut	A41B 9/001
					2/113

1 Claim, 6 Drawing Sheets



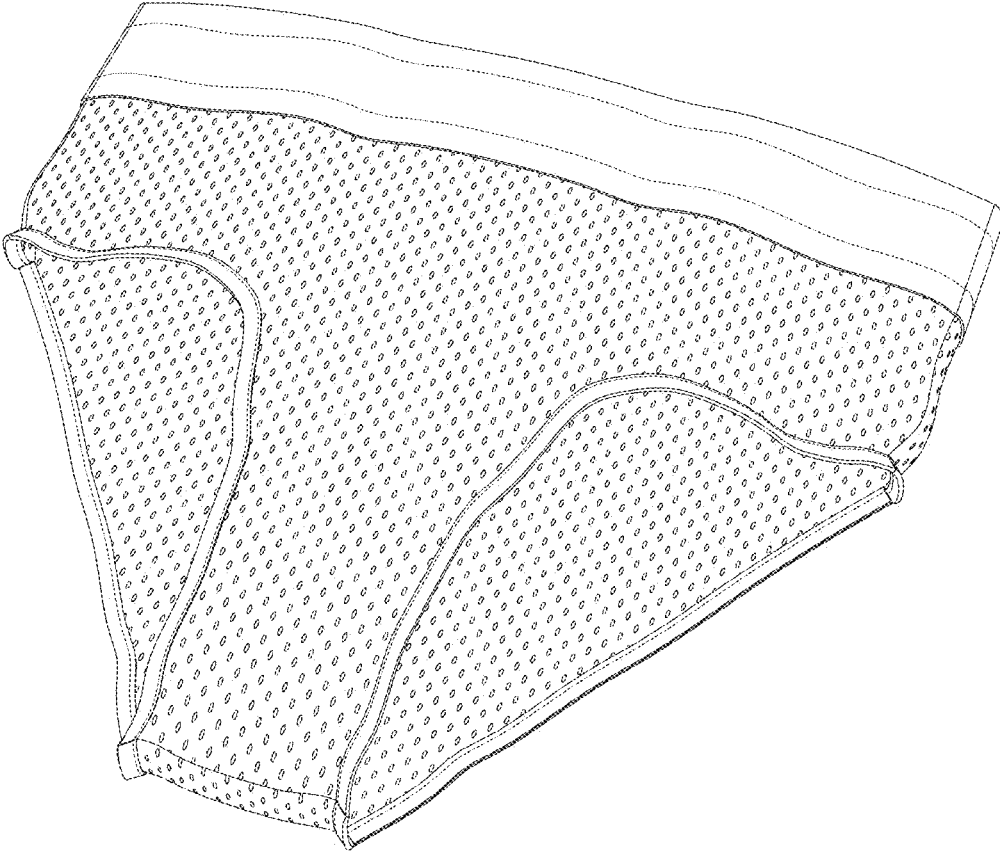


Fig. 1

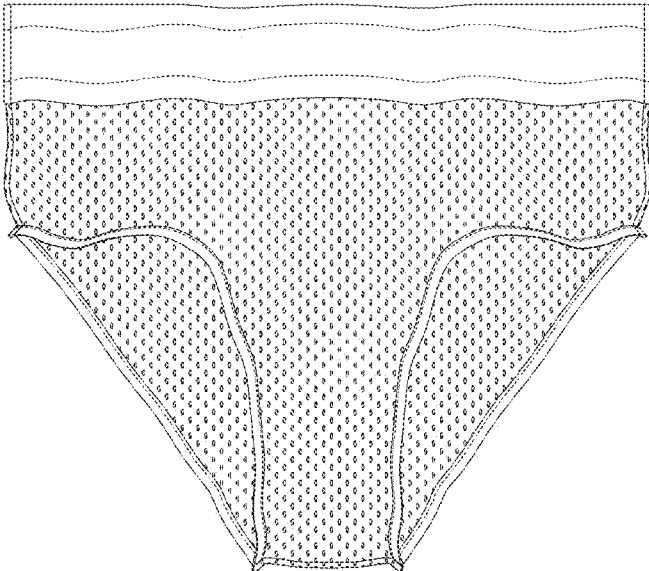


Fig. 2

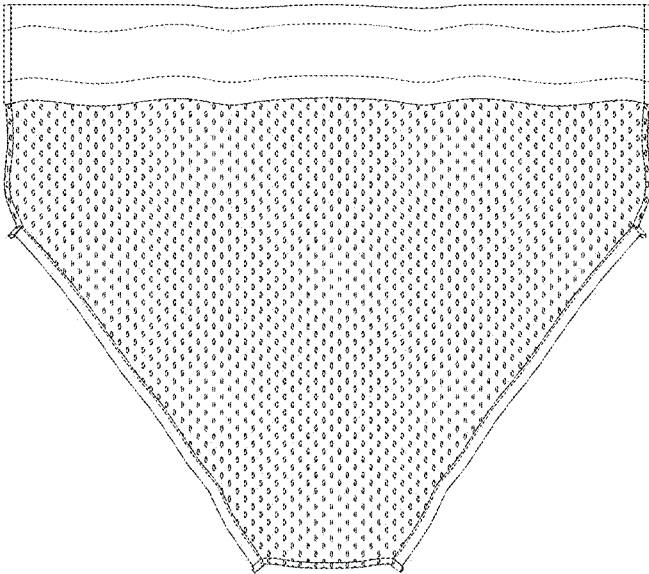


Fig. 3

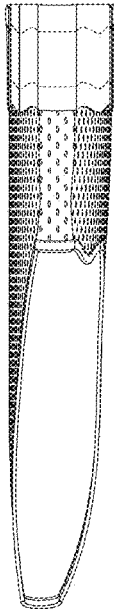


Fig. 4

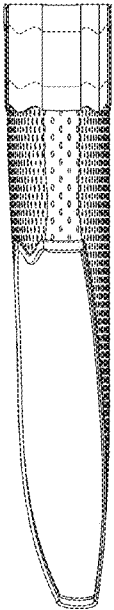


Fig. 5

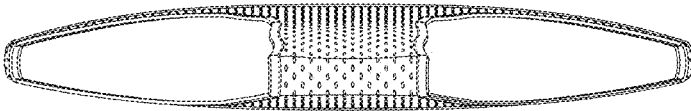


Fig. 6

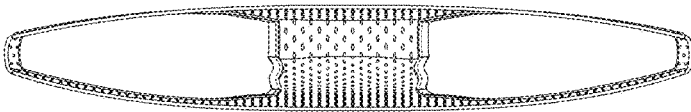


Fig. 7

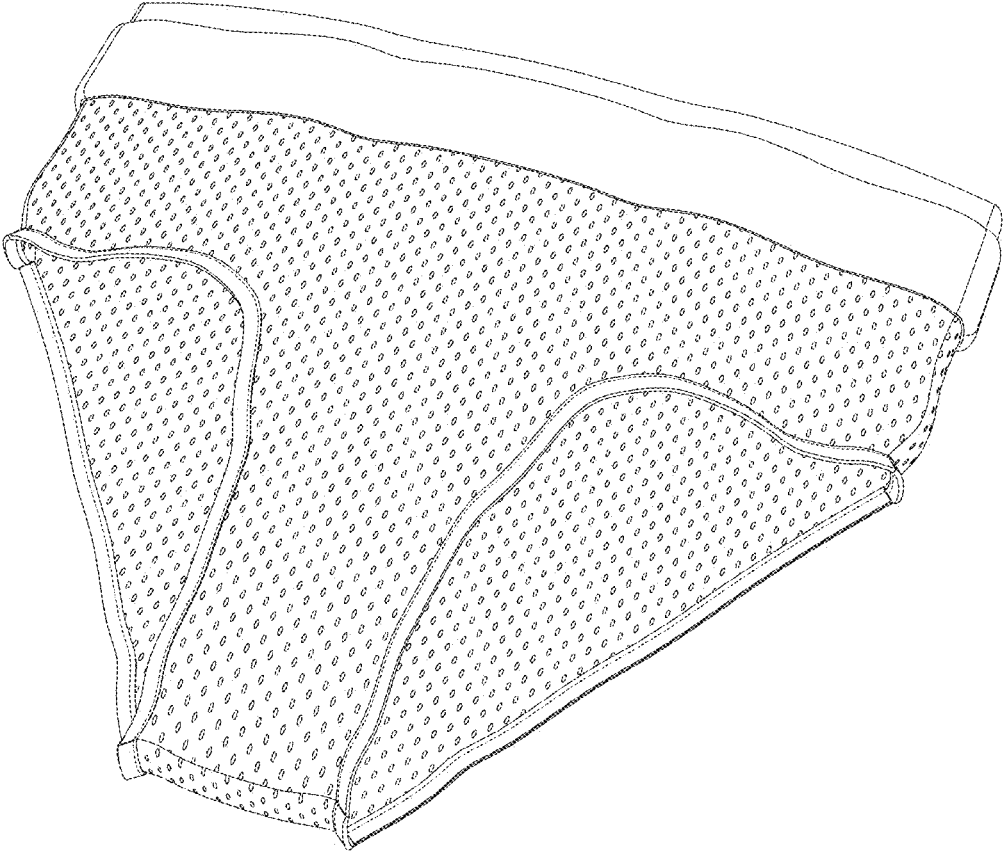


Fig. 8

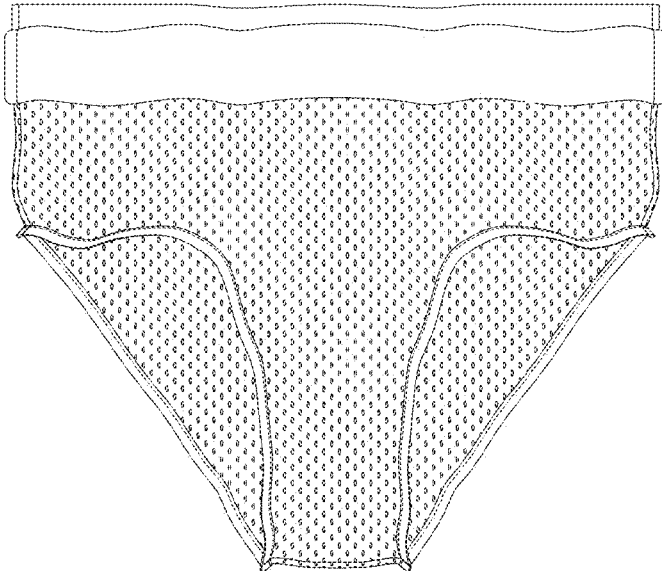


Fig. 9

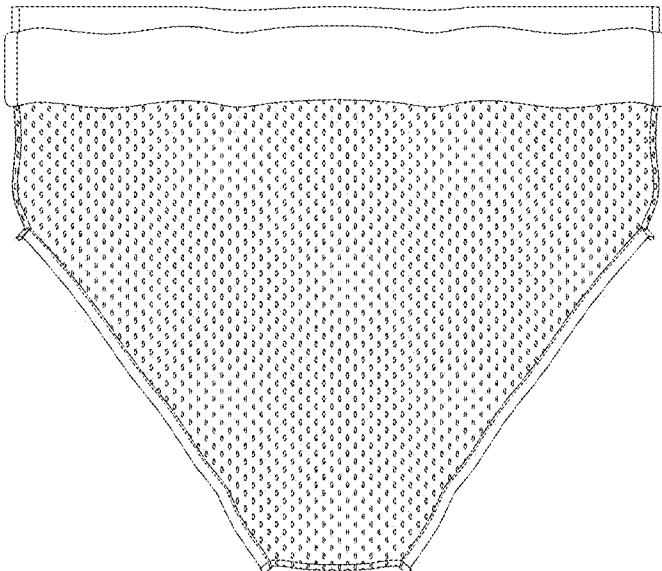


Fig. 10

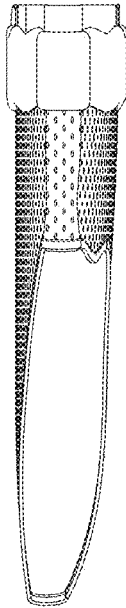


Fig. 11

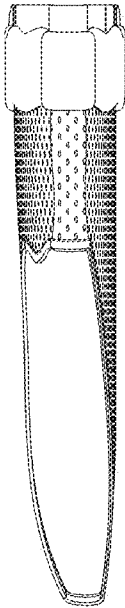


Fig. 12

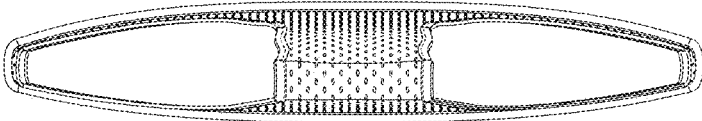


Fig. 13

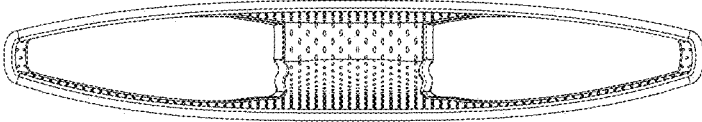


Fig. 14