



US00D891931S

(12) **United States Design Patent**
Tidwell et al.

(10) **Patent No.:** **US D891,931 S**

(45) **Date of Patent:** **** Aug. 4, 2020**

- (54) **JAR**
- (71) Applicants: **Justin Tidwell**, Brea, CA (US);
William Tidwell, Brea, CA (US)
- (72) Inventors: **Justin Tidwell**, Brea, CA (US);
William Tidwell, Brea, CA (US)

D578,891 S 10/2008 Puigbo
 7,448,767 B2* 11/2008 Zhang A45D 34/045
 362/118

D634,202 S 3/2011 Zamberlan et al.
 D635,030 S 3/2011 L'Abbate
 D638,300 S 5/2011 L'Abbate

(Continued)

(**) Term: **15 Years**

FOREIGN PATENT DOCUMENTS

(21) Appl. No.: **29/644,423**

CN 301921442 5/2012
 CN 303603019 3/2016

(22) Filed: **Apr. 17, 2018**

OTHER PUBLICATIONS

(51) **LOC (12) Cl.** **09-01**

Pollen Gear, <https://www.pollengear.com/glass-packaging/>, retrieved Apr. 10, 208.

(52) **U.S. Cl.**

USPC **D9/529**; D9/560; D9/574

(58) **Field of Classification Search**

USPC D9/432, 434-436, 452, 516, 529, 544,
 D9/546, 559, 560, 564, 565, 570-575,
 D9/715, 719; D28/4, 7, 76, 83, 85
 CPC B65D 21/0204; B65D 2501/0081
 See application file for complete search history.

Primary Examiner — Shannon W Morgan
Assistant Examiner — Keith Frank

(74) *Attorney, Agent, or Firm* — Buche & Associates, P.C.; John K. Buche; Bryce A. Johnson

(56) **References Cited**

(57) **CLAIM**

We claim the ornamental design for a jar, as shown and described.

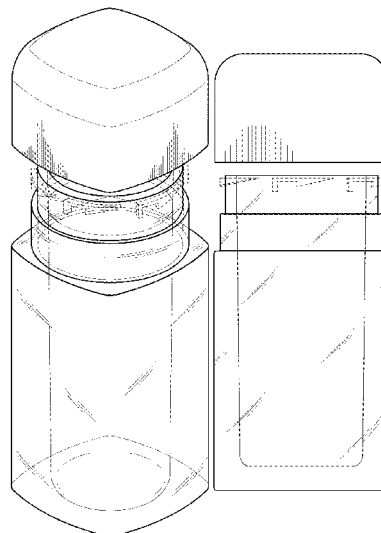
U.S. PATENT DOCUMENTS

DESCRIPTION

- | | | | |
|--------------|---------|---------------|--------|
| D34,061 S | 2/1901 | Scattergood | |
| D65,326 S | 7/1924 | Cahalane | |
| 2,076,551 A | 4/1937 | Conner | |
| 2,077,215 A | 4/1937 | Conner | |
| 2,077,216 A | 4/1937 | Conner | |
| 2,711,766 A | 6/1955 | Archer et al. | |
| 3,311,248 A | 3/1967 | Marchant | |
| D237,361 S | 10/1975 | Picker | |
| D441,284 S | 5/2001 | Saur et al. | |
| D462,144 S * | 8/2002 | Gaydon | D28/76 |
| D471,324 S * | 3/2003 | Kalin | D28/77 |
| D493,721 S | 8/2004 | Puigbo | |
| D506,128 S | 6/2005 | Foi | |
| D532,937 S * | 11/2006 | Noh | D28/76 |
| D538,478 S * | 3/2007 | Chen | D28/85 |
| D539,983 S * | 4/2007 | Nobuto | D28/85 |
| D554,367 S | 11/2007 | Chou et al. | |
| D561,593 S * | 2/2008 | Gomez | D9/529 |
| D571,219 S * | 6/2008 | McCoy | D9/544 |

FIG. 1 is a perspective view of the jar showing our new design, with the top portion separated from the bottom;
 FIG. 2 is a left side elevation view thereof;
 FIG. 3 is a right side elevation view thereof;
 FIG. 4 is a front elevation view thereof;
 FIG. 5 is a rear elevation view thereof;
 FIG. 6 is a top plan view thereof;
 FIG. 7 is a bottom plan view thereof; and,
 FIG. 8 is a perspective view thereof with the top and bottom portions in the closed condition.
 Broken lines depict portions of the jar and form no part of the claimed design.

1 Claim, 5 Drawing Sheets



(56)

References Cited

U.S. PATENT DOCUMENTS

| | | | |
|--------------|---------|------------------------|---------|
| D641,257 S | 7/2011 | Rhiebaut et al. | |
| D644,108 S * | 8/2011 | Vila Calvo | D9/529 |
| D668,143 S * | 10/2012 | Akana | D14/496 |
| D709,379 S * | 7/2014 | Moretti | D9/529 |
| D712,596 S * | 9/2014 | Lee | D28/77 |
| D715,653 S * | 10/2014 | Lavigne | D9/529 |
| D734,550 S * | 7/2015 | Schlatter | D28/83 |
| D739,741 S | 9/2015 | Staab | |
| D744,166 S * | 11/2015 | Chertoff | D28/85 |
| D744,167 S * | 11/2015 | Chertoff | D28/85 |
| D766,093 S * | 9/2016 | Otani | D9/452 |
| D781,151 S | 3/2017 | Lerman | |
| D785,458 S * | 5/2017 | Futagami | D9/529 |
| D790,135 S * | 6/2017 | Macaluso | D28/85 |
| D797,559 S | 9/2017 | Lerman | |
| D799,328 S * | 10/2017 | Canamasas Puigbo | D9/529 |
| D799,754 S * | 10/2017 | Chertoff | D28/85 |
| D800,566 S * | 10/2017 | Wieland | D9/529 |
| D808,280 S * | 1/2018 | Nagata | D9/560 |
| D833,879 S * | 11/2018 | Staab | D9/529 |
| D842,613 S * | 3/2019 | Flynn | D4/108 |

* cited by examiner

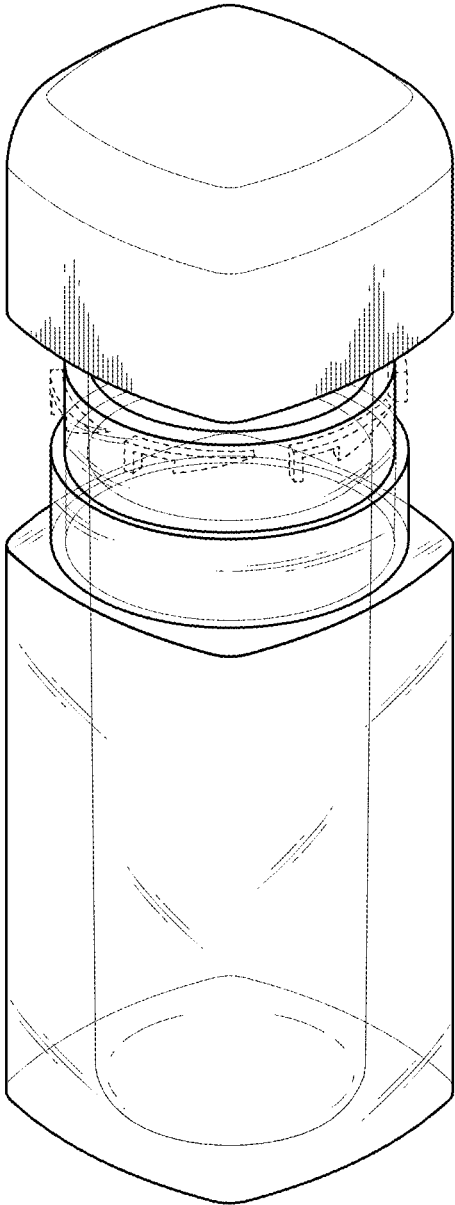


FIG. 1

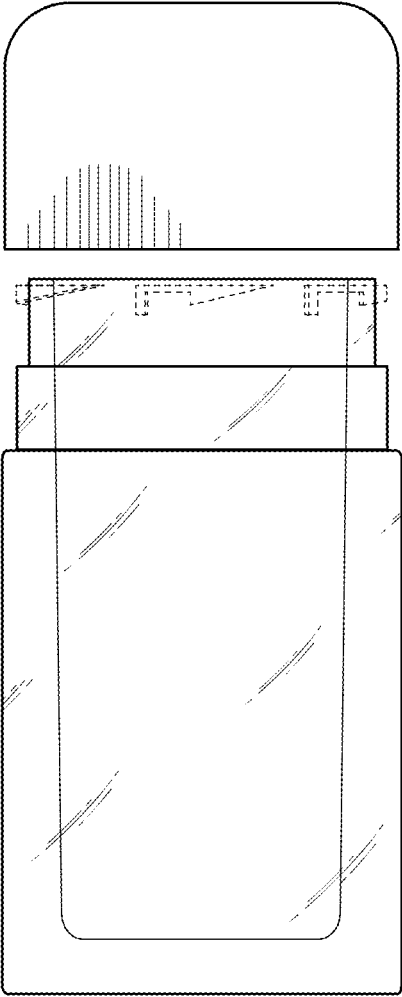


FIG. 2

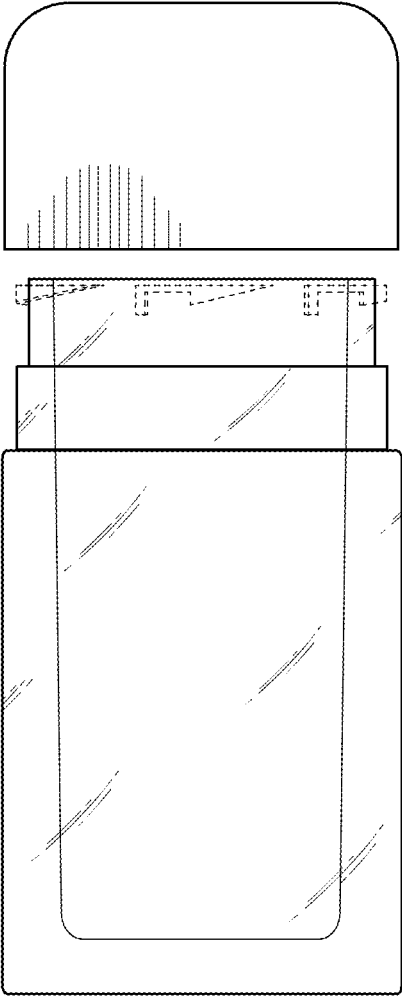


FIG. 3

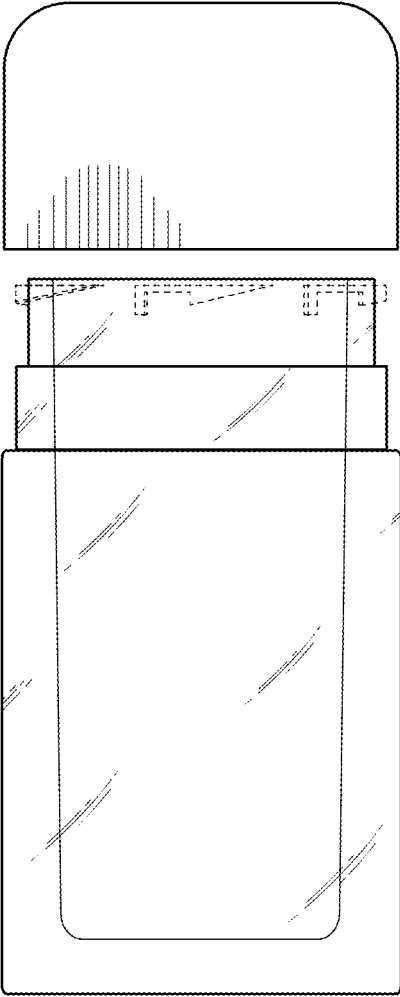


FIG. 4

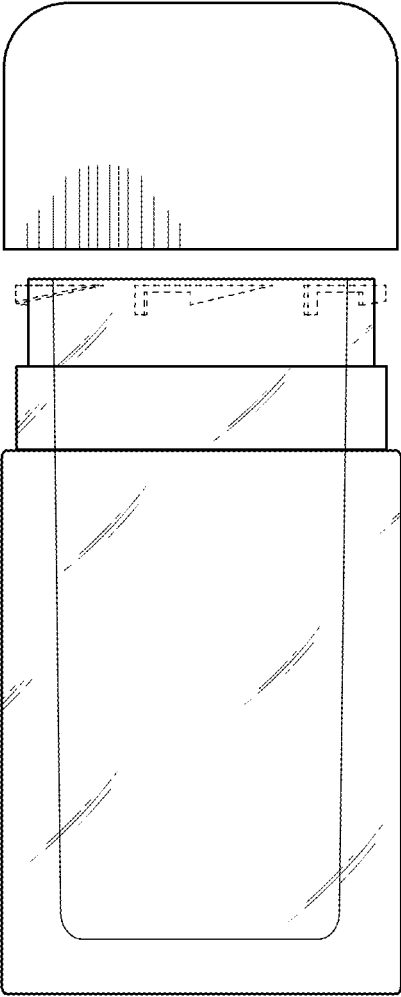


FIG. 5

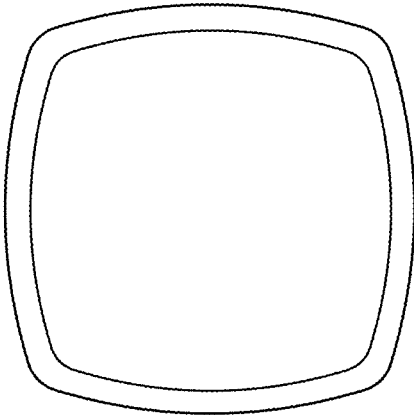


FIG. 6

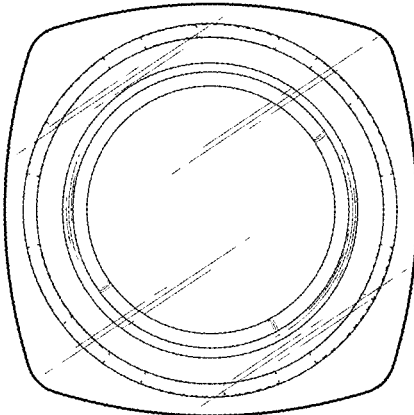


FIG. 7

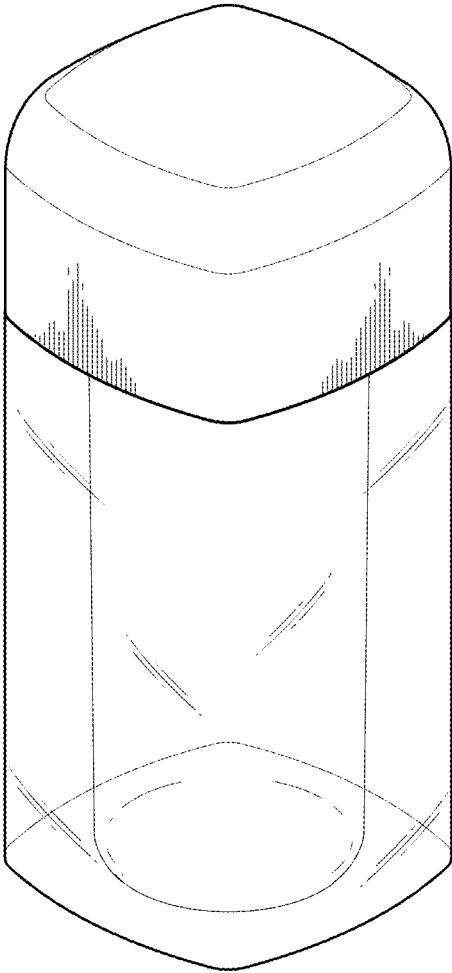


FIG. 8