



US00D894165S

(12) **United States Design Patent**  
**Jahnz**

(10) **Patent No.:** **US D894,165 S**

(45) **Date of Patent:** **\*\* Aug. 25, 2020**

(54) **CASE FOR AN ELECTRONIC COMMUNICATION DEVICE**

(71) Applicant: **David Jahnz**, San Diego, CA (US)

(72) Inventor: **David Jahnz**, San Diego, CA (US)

(\*\*) Term: **15 Years**

(21) Appl. No.: **29/685,053**

(22) Filed: **Mar. 26, 2019**

(51) **LOC (12) Cl.** ..... **14-03**

(52) **U.S. Cl.**  
USPC ..... **D14/250**

(58) **Field of Classification Search**  
USPC ..... D14/143, 199, 201, 202, 217, 250, 251,  
D14/253, 440, 447, 316; D13/103, 119  
CPC ..... H04M 1/0283; H04M 1/0202; A45C 1/06;  
A45C 2011/002; A45C 11/00; A45F  
2005/028; A45F 2200/0525  
See application file for complete search history.

(56) **References Cited**

**U.S. PATENT DOCUMENTS**

D651,205 S *	12/2011	Soekoro	.....	D14/250
D674,380 S *	1/2013	Soekoro	.....	D14/250
D684,357 S *	6/2013	Pegg	.....	D3/218
D687,026 S *	7/2013	Ruvolo	.....	D14/250
D711,866 S *	8/2014	Kawata	.....	D14/250
D752,418 S *	3/2016	Stacey	.....	D8/367
D753,974 S *	4/2016	Chang	.....	D8/57
D805,507 S *	12/2017	Jakobuco	.....	D14/250
D823,836 S *	7/2018	Eaton	.....	D14/229
D837,781 S *	1/2019	Ingram	.....	D14/250
D883,268 S *	5/2020	Daniel	.....	D14/250
2012/0031937 A1 *	2/2012	Baker	.....	A45F 5/00 224/217
2012/0110868 A1 *	5/2012	Abbondanzio	.....	B29C 63/02 33/645
2013/0148271 A1 *	6/2013	Huang	.....	A45F 5/00 361/679.01

2013/0210503 A1 *	8/2013	Keesling	.....	H04B 1/3888 455/575.1
2013/0279098 A1 *	10/2013	Cho	.....	G06F 1/1626 361/679.01
2016/0049983 A1 *	2/2016	Ripka	.....	H04M 1/04 455/575.6

\* cited by examiner

*Primary Examiner* — Khawaja Anwar

*Assistant Examiner* — Mojtaba Tehrani

(74) *Attorney, Agent, or Firm* — Buche & Associates,  
P.C.; John K. Buche; Bryce A. Johnson

(57) **CLAIM**

The ornamental design for a case for an electronic communication device, as shown and described.

**DESCRIPTION**

FIG. 1 is a perspective view of the first embodiment of a case for an electronic communication device, showing my new design;

FIG. 2 is a bottom view thereof;

FIG. 3 is a top view thereof;

FIG. 4 is a left-side view thereof;

FIG. 5 is a right-side view thereof;

FIG. 6 is a front view thereof;

FIG. 7 is a rear view thereof;

FIG. 8 is a perspective view of the second embodiment of a case for an electronic communication device, showing my new design;

FIG. 9 is a bottom view thereof;

FIG. 10 is a top view thereof;

FIG. 11 is a left-side view thereof;

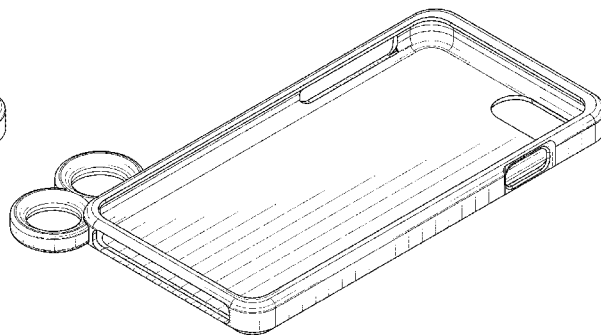
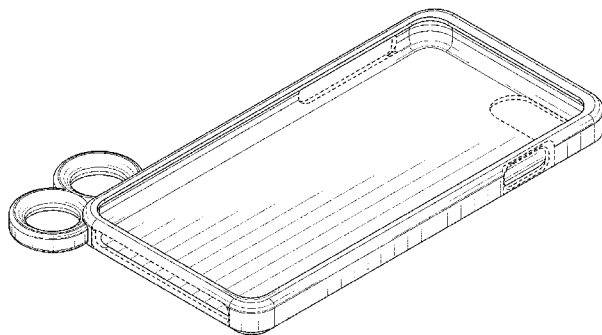
FIG. 12 is a right-side view thereof;

FIG. 13 is a front view thereof; and,

FIG. 14 is a rear view thereof.

The broken lines in the drawings depict unclaimed portion of the case only and form no part of the claimed design.

**1 Claim, 8 Drawing Sheets**



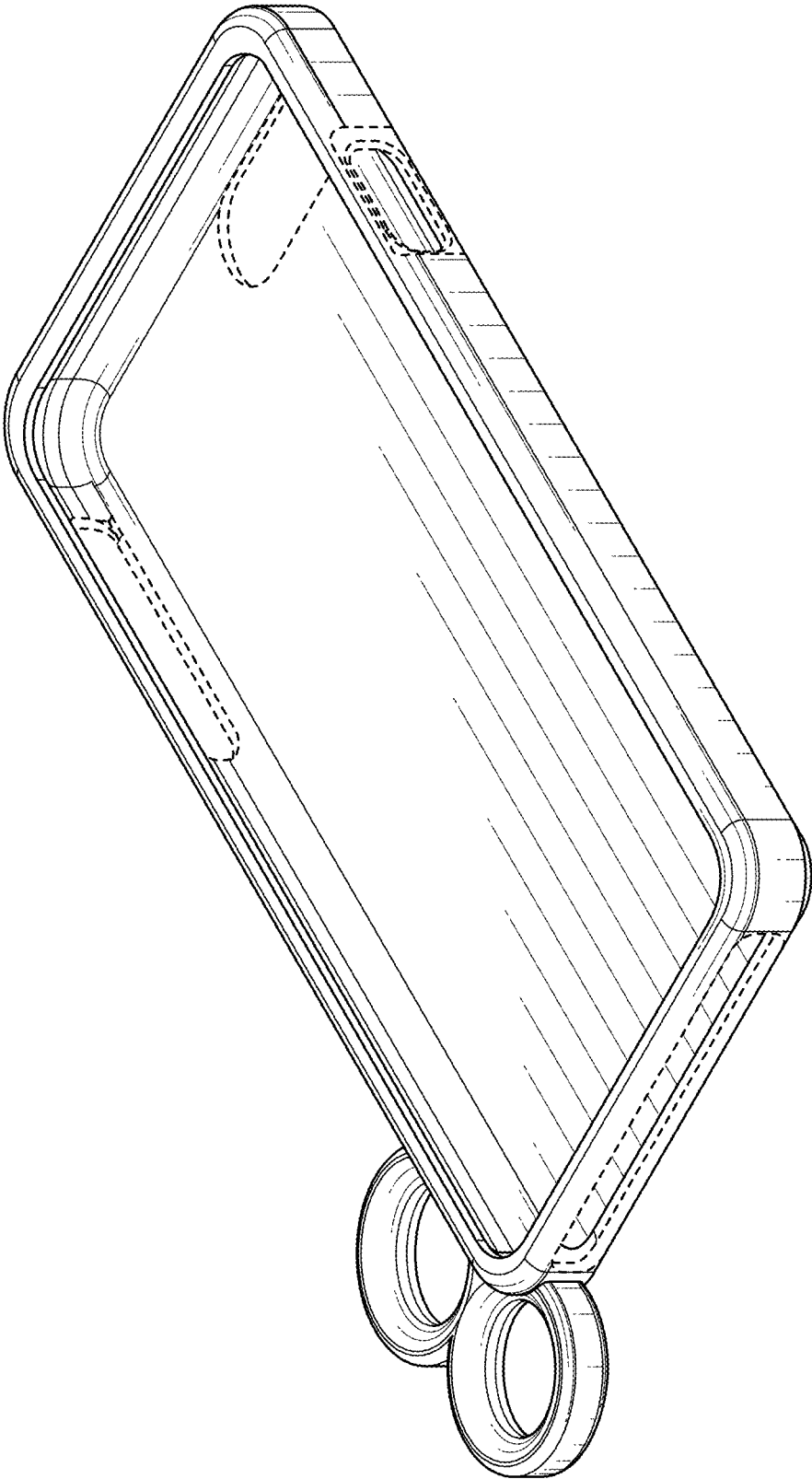


FIG. 1

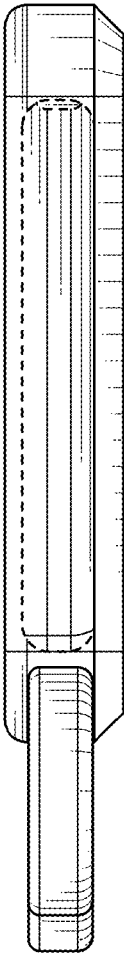


FIG. 2

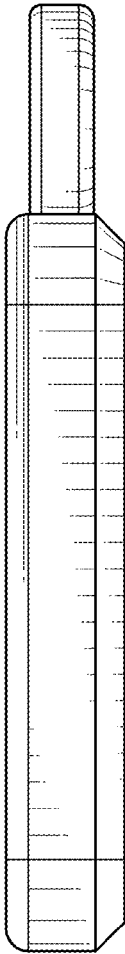


FIG. 3

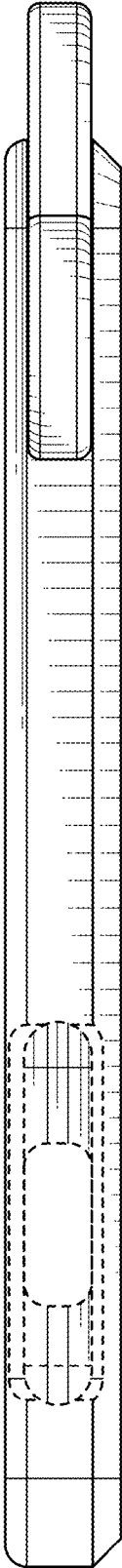


FIG. 4

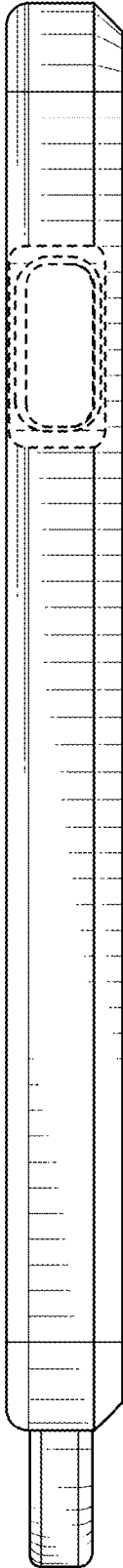


FIG. 5

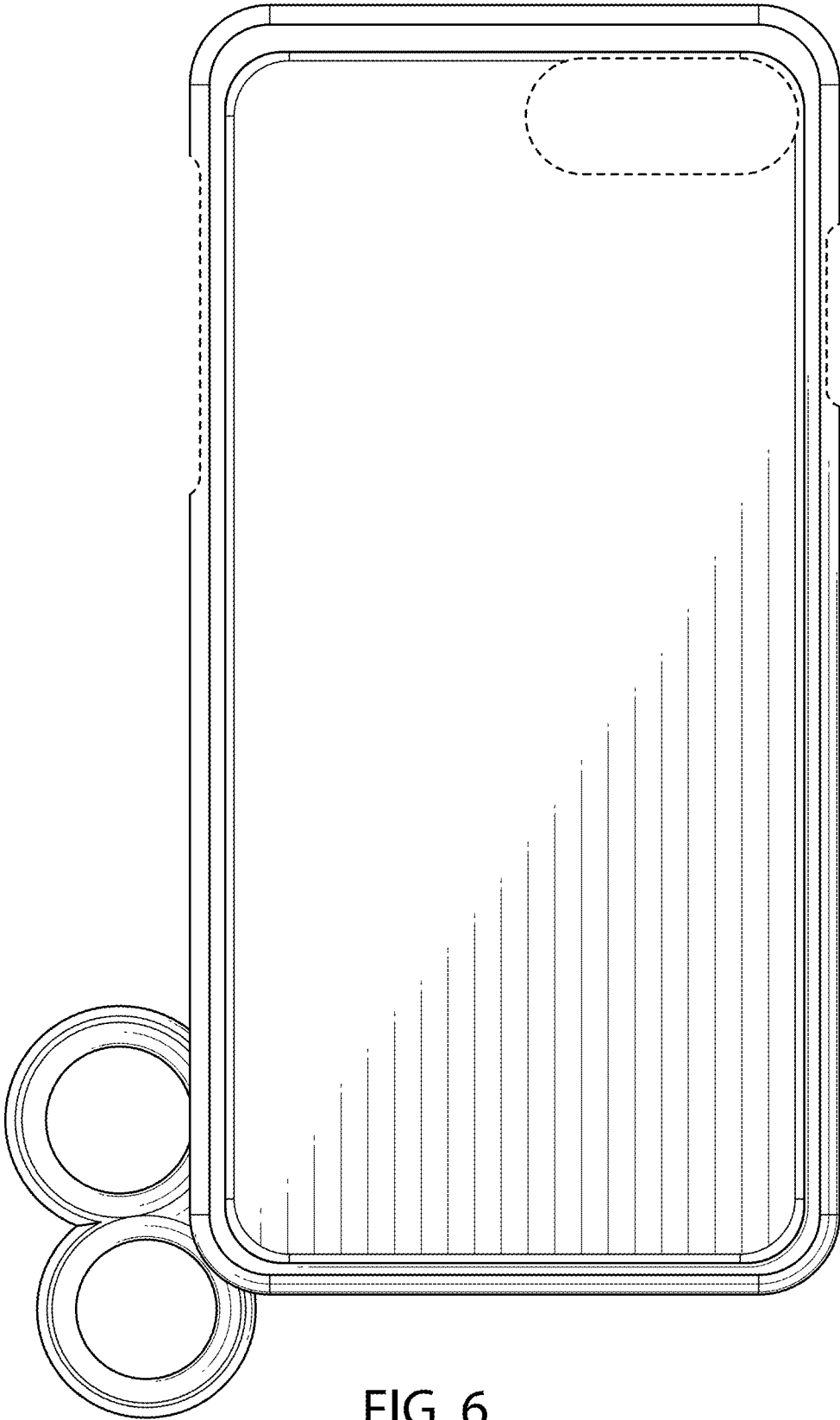


FIG. 6

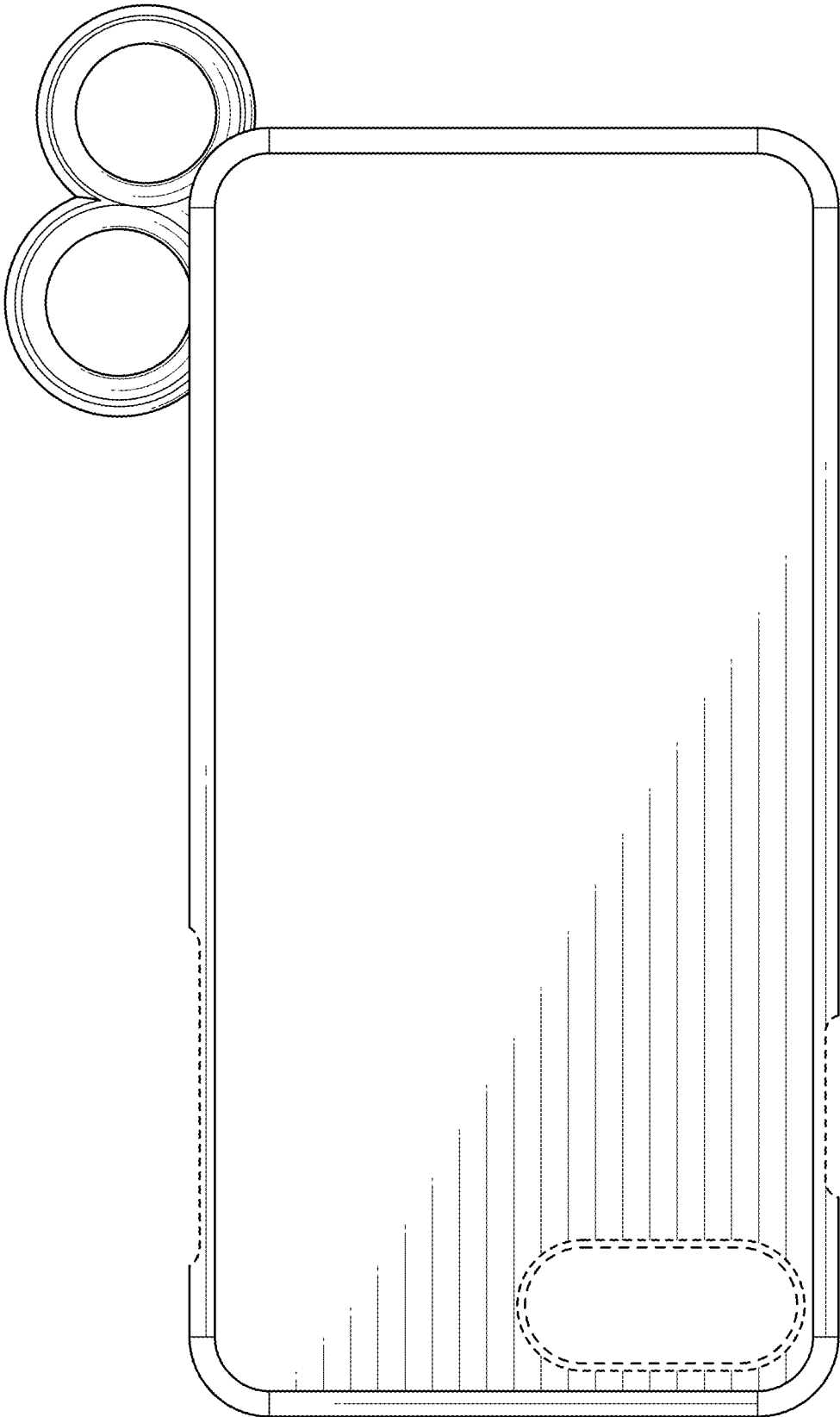


FIG. 7

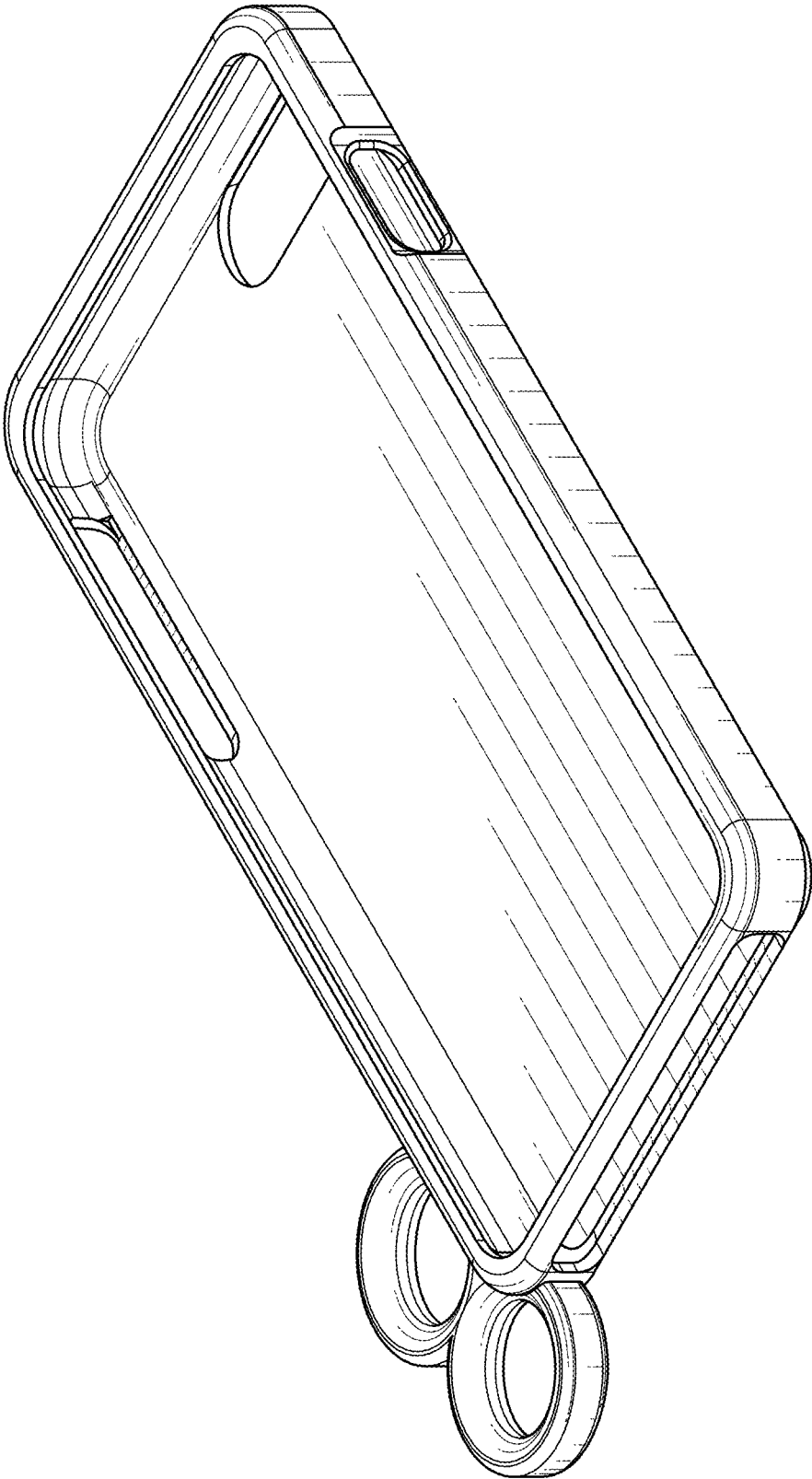


FIG. 8



FIG. 9

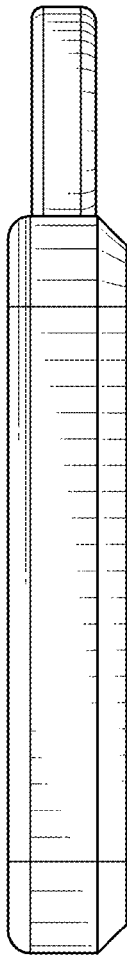


FIG. 10

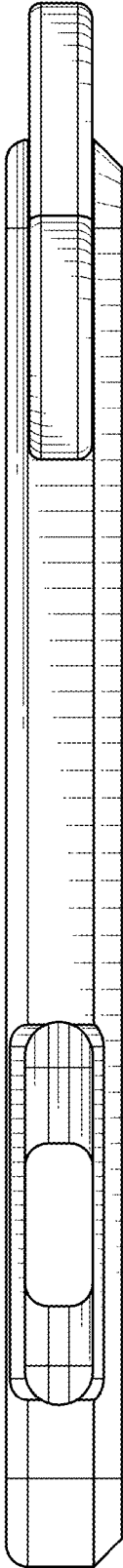


FIG. 11

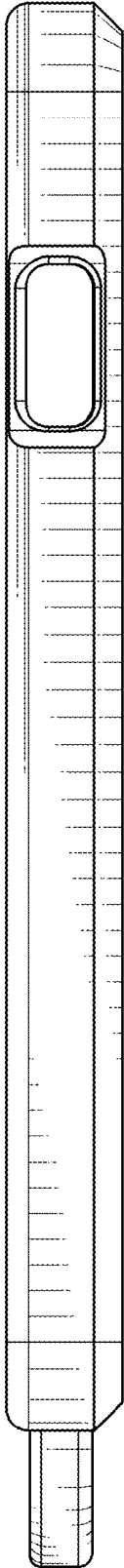


FIG. 12

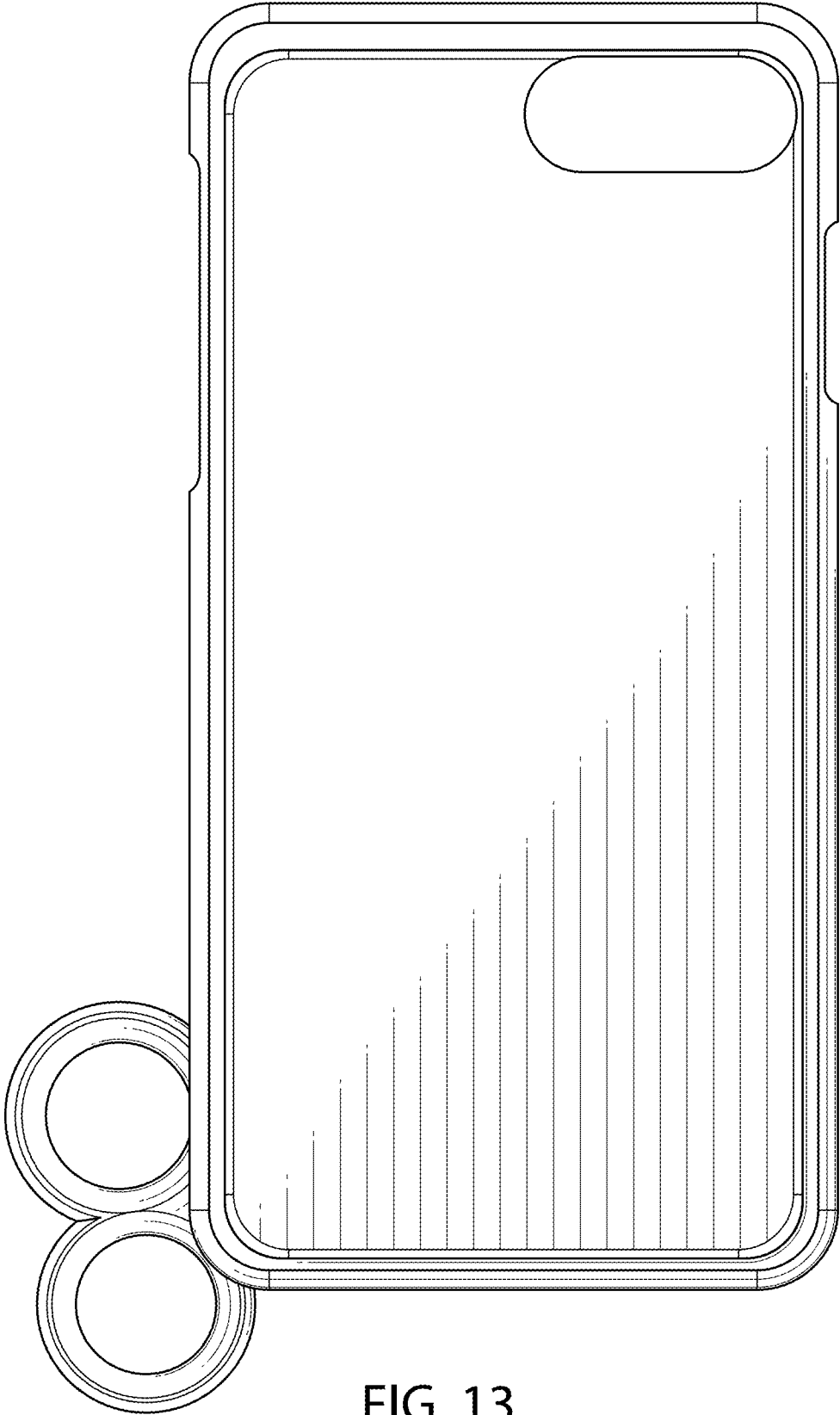


FIG. 13



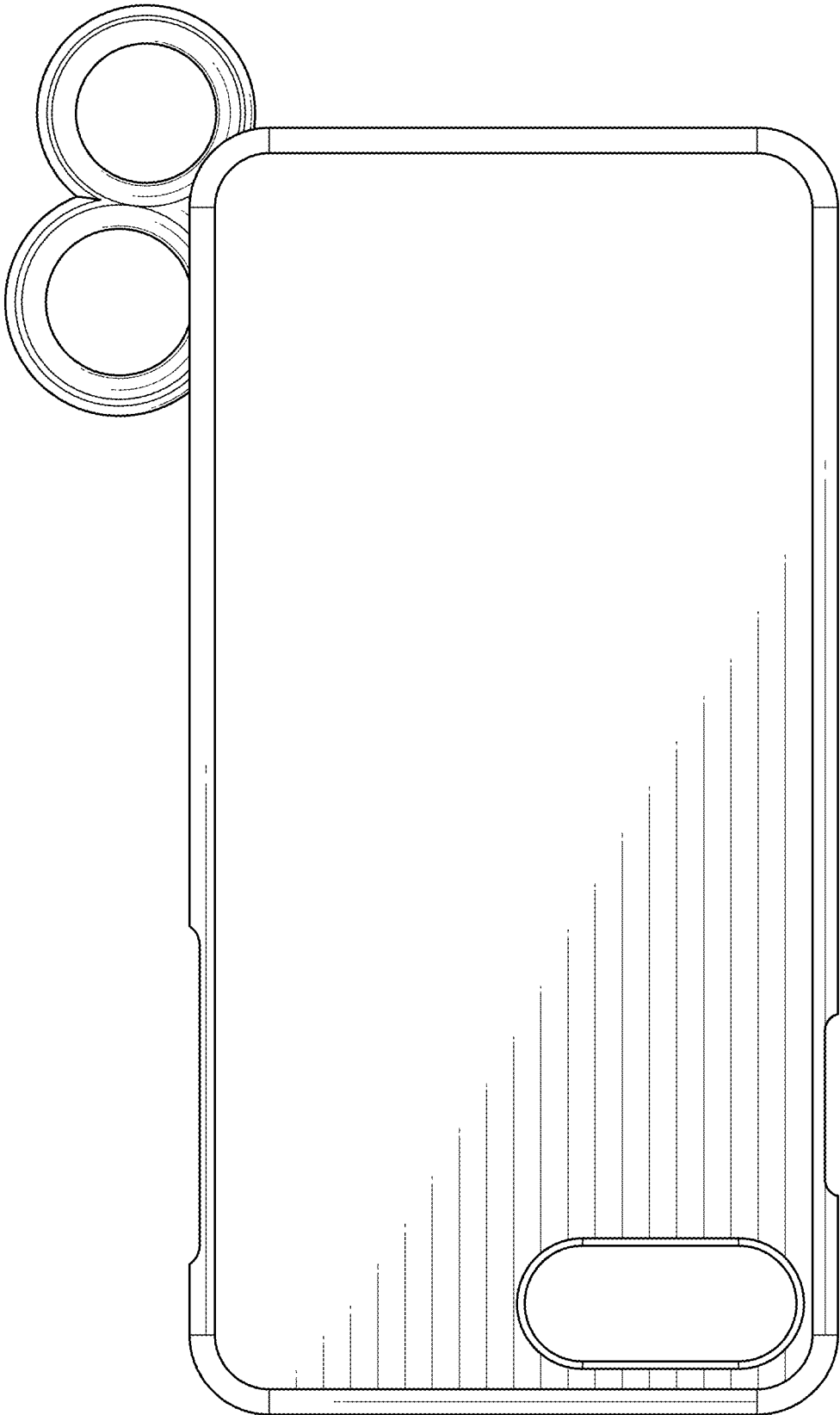


FIG. 14