



US00D897197S

(12) **United States Design Patent**
Tidwell et al.

(10) **Patent No.:** **US D897,197 S**

(45) **Date of Patent:** **** Sep. 29, 2020**

- (54) **CONTAINER**
- (71) Applicants: **Justin Tidwell**, Brea, CA (US);
William Tidwell, Brea, CA (US)
- (72) Inventors: **Justin Tidwell**, Brea, CA (US);
William Tidwell, Brea, CA (US)
- (73) Assignee: **PWS PACKAGING SERVICES, INC.**, Brea, CA (US)
- (**) Term: **15 Years**
- (21) Appl. No.: **29/728,907**
- (22) Filed: **Mar. 23, 2020**

D633,268	S	*	2/2011	Bottita	D34/6
D661,016	S	*	5/2012	Borges	D27/189
D678,052	S	*	3/2013	Bakker	D9/433
D698,640	S	*	2/2014	Buchanan	D9/416
D708,069	S	*	7/2014	Park	D9/432
D731,323	S	*	6/2015	O'Neill	D9/721
D855,452	S	*	8/2019	Palacios	D9/418
RE47,979	E	*	5/2020	O'Neill	D9/721
2019/0256242	A1	*	8/2019	Tidwell	B65D 5/106

* cited by examiner

Primary Examiner — Rhea Shields

(74) *Attorney, Agent, or Firm* — Buche & Associates, P.C.; John K. Buche; Bryce A. Johnson

Related U.S. Application Data

- (62) Division of application No. 16/826,605, filed on Mar. 23, 2020.
- (51) **LOC (12) Cl.** **09-03**
- (52) **U.S. Cl.** **D9/418**
USPC **D9/418**
- (58) **Field of Classification Search**
USPC D9/414–418, 456, 761, 753, 433, 721,
D9/432; D24/230; D27/189
CPC B65D 5/106
See application file for complete search history.

References Cited

U.S. PATENT DOCUMENTS

D134,249	S	*	11/1942	Button	D9/761
D178,074	S	*	6/1956	Lemieux	D9/456
D180,339	S	*	5/1957	Pavelle	D9/456
D353,091	S	*	12/1994	Mumford	D9/433
D382,201	S	*	8/1997	Brondyke	D9/753
D515,941	S	*	2/2006	Hamblin	D24/230
D515,942	S	*	2/2006	Hamblin	D24/230
D548,072	S	*	8/2007	Nixon	D9/432
D591,593	S	*	5/2009	Stannard	D9/756

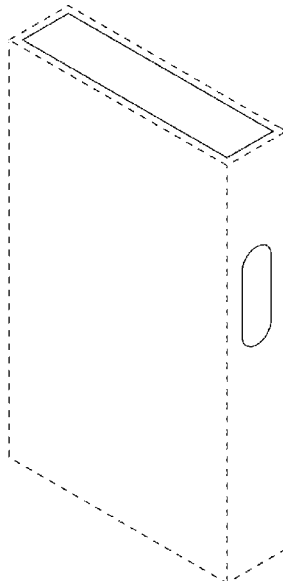
(57) **CLAIM**

We claim the ornamental design for a “container,” as shown and described.

DESCRIPTION

FIG. 1 is a perspective view of a container in a closed configuration;
 FIG. 2 is a front view of the container of FIG. 1;
 FIG. 3 is a back view of the container of FIG. 1;
 FIG. 4 is a left side view of the container of FIG. 1;
 FIG. 5 is a right side view of the container of FIG. 1;
 FIG. 6 is a top view of the container of FIG. 1;
 FIG. 7 is a bottom view of the container of FIG. 1;
 FIG. 8 is a perspective view of the container of FIG. 1 in a closed configuration;
 FIG. 9 is a perspective view of the container of FIG. 1 in an open configuration;
 FIG. 10 is a front view of the container of FIG. 1 in an open configuration; and,
 FIG. 11 is a perspective view of the container of FIG. 1 in an open configuration.
 Broken lines depict portions of the container and form no part of the claimed design.

1 Claim, 8 Drawing Sheets



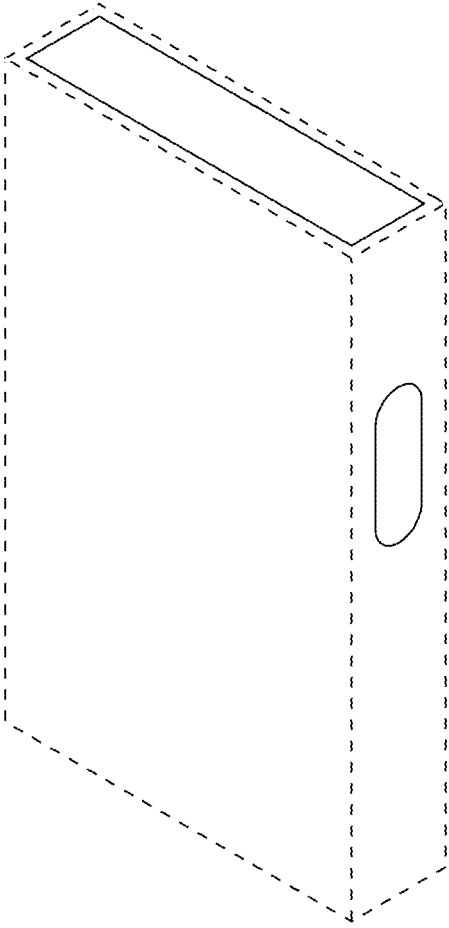


FIG. 1

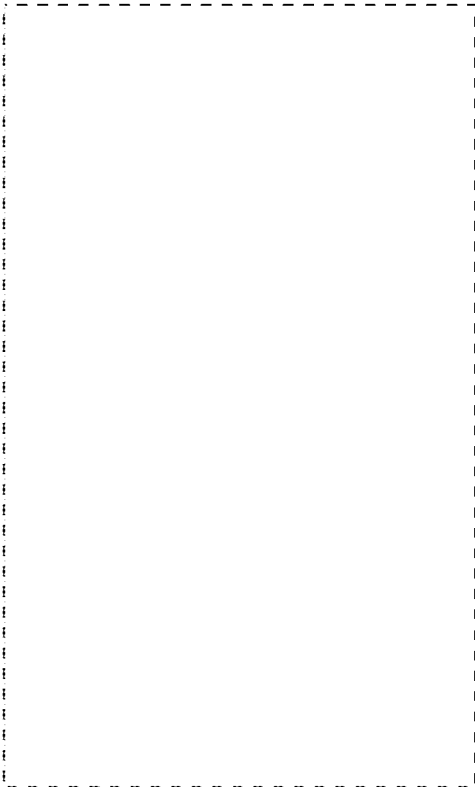


FIG. 2



FIG. 3

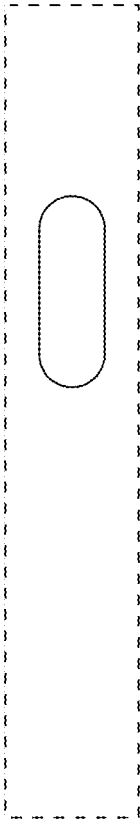


FIG. 4

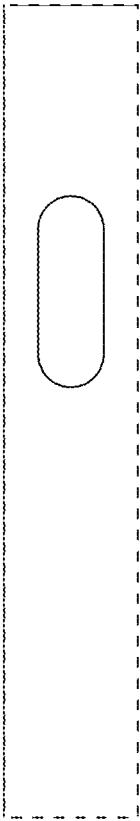


FIG. 5

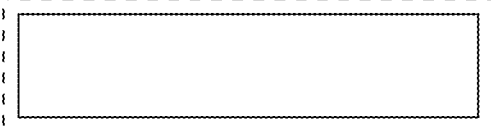


FIG. 6

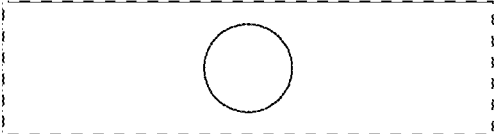


FIG. 7

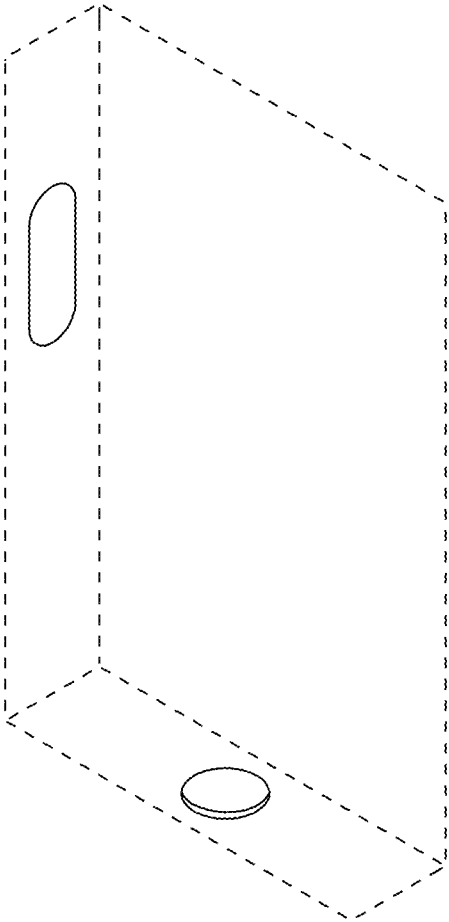


FIG. 8

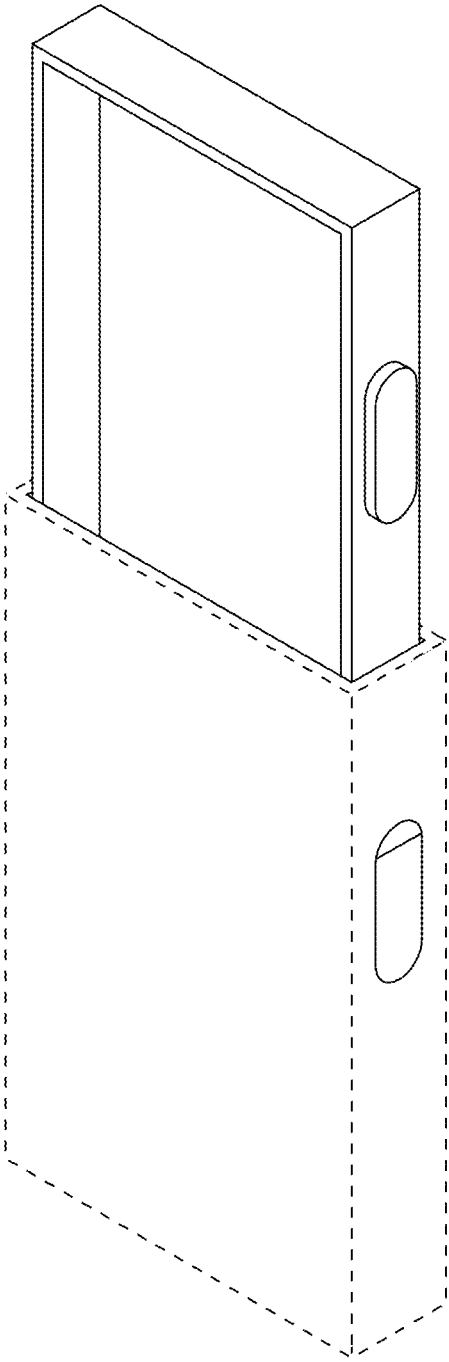


FIG. 9

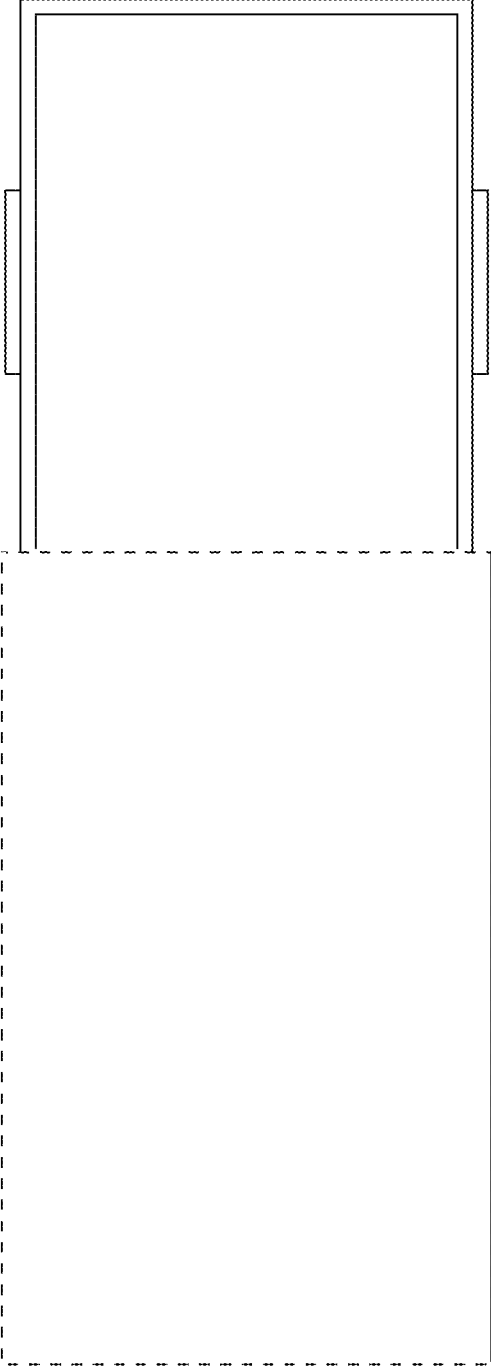


FIG. 10

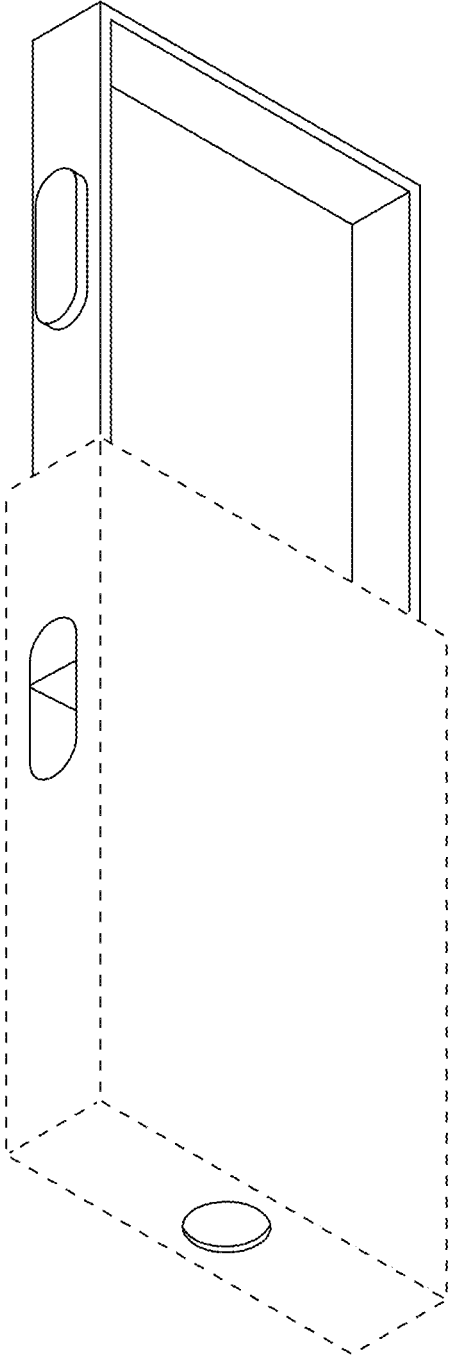


FIG. 11