



US00D904345S

(12) **United States Design Patent**
Powell

(10) **Patent No.:** **US D904,345 S**

(45) **Date of Patent:** **** Dec. 8, 2020**

(54) **DEVICE TO CONVERT PORTABLE PLAYER INTO A TOP**

2009/0090750 A1* 4/2009 Alcenat A45F 5/00
224/101
2012/0042476 A1* 2/2012 Karmatz B25G 1/102
16/421
2012/0104185 A1* 5/2012 Carroll F16M 13/00
248/27.1

(71) Applicant: **Brian Powell**, Hillsboro, OR (US)

(72) Inventor: **Brian Powell**, Hillsboro, OR (US)

* cited by examiner

(**) Term: **15 Years**

Primary Examiner — Khawaja Anwar

(21) Appl. No.: **29/649,085**

(74) *Attorney, Agent, or Firm* — Buche & Associates,
P.C.; John K. Buche; Bryce A. Johnson

(22) Filed: **May 25, 2018**

(51) **LOC (12) Cl.** **14-03**

(57) **CLAIM**

(52) **U.S. Cl.**

I claim the ornamental design for “device to convert portable player into a top”, as shown.

USPC **D14/217**

(58) **Field of Classification Search**

USPC D14/217, 250, 251, 252, 253, 451, 452,
D14/440, 434, 447, 458, 432, 439, 457,
D14/460, 238.1, 140, 142, 149, 148
CPC .. H04M 1/04; H04M 1/6075; H04M 1/72569;
H04M 1/72577; H04M 17/026; H04M
1/006; H04M 1/0214; H04M 1/0233;
H04M 1/0254; H04M 1/0264; H04M
1/0279; H04M 1/18; H04M 1/6091;
H04M 1/723; H04M 1/725; H04M
2207/206; H04M 2250/16; H04M 1/15;
H04B 1/3888

DESCRIPTION

See application file for complete search history.

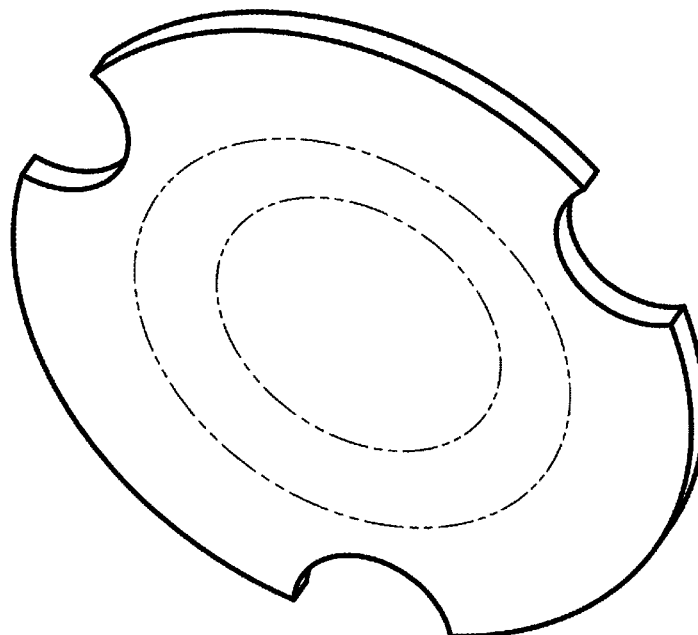
FIG. 1 is a perspective view of the “device to convert portable player into a top”;
FIG. 2 is a side view of the “device to convert portable player into a top”;
FIG. 3 is a top view of the “device to convert portable player into a top”;
FIG. 4 is a cross section of the “device to convert portable player into a top”;
FIG. 5 is an environmental view of the “device to convert portable player into a top” on a portable player from the side; and,
FIG. 6 is another environmental view of the “device to convert portable player into a top” on a portable player.
Broken lines of consistent dash lengths illustrate environmental features and form no part of the claimed design.
Non-consistent length broken lines illustrate design features such as hidden holes or edges of curved surfaces.

(56) **References Cited**

U.S. PATENT DOCUMENTS

D714,126 S * 9/2014 Pyon D8/349
D769,859 S * 10/2016 Herbst D14/253
D794,607 S * 8/2017 Srour D14/217
D827,612 S * 9/2018 Srour D14/217
D847,805 S * 5/2019 Lederer D14/250
D877,124 S * 3/2020 Miller D14/217
D879,106 S * 3/2020 Mecchella D14/447

1 Claim, 2 Drawing Sheets



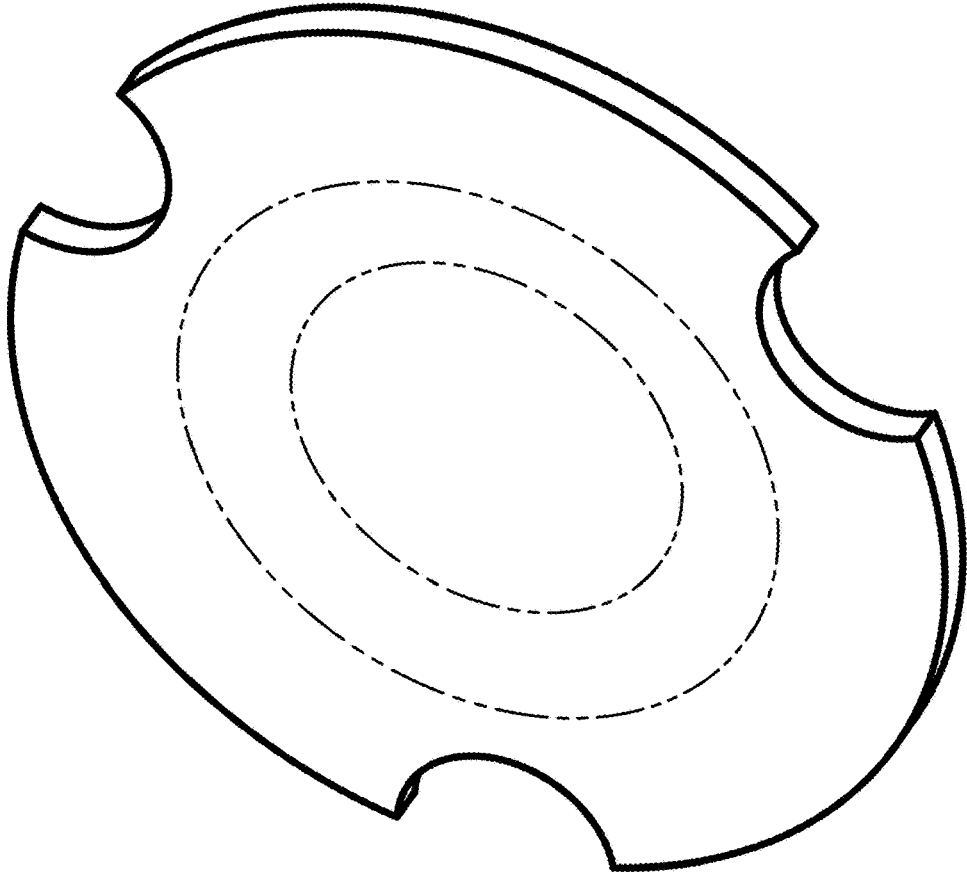


FIG. 1

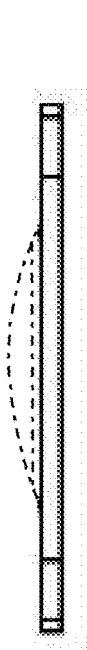


FIG. 2

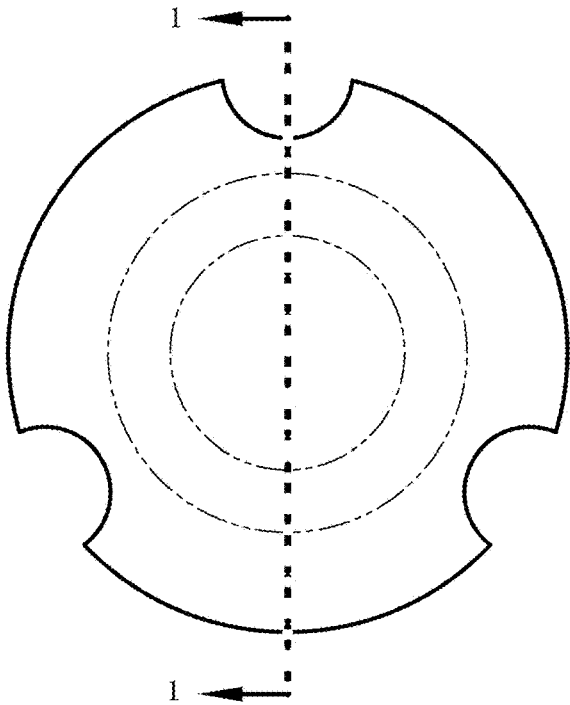


FIG. 3

section 1-1



FIG. 4

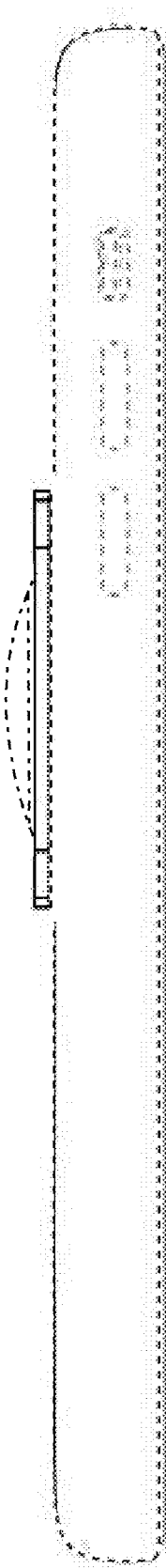


FIG. 5

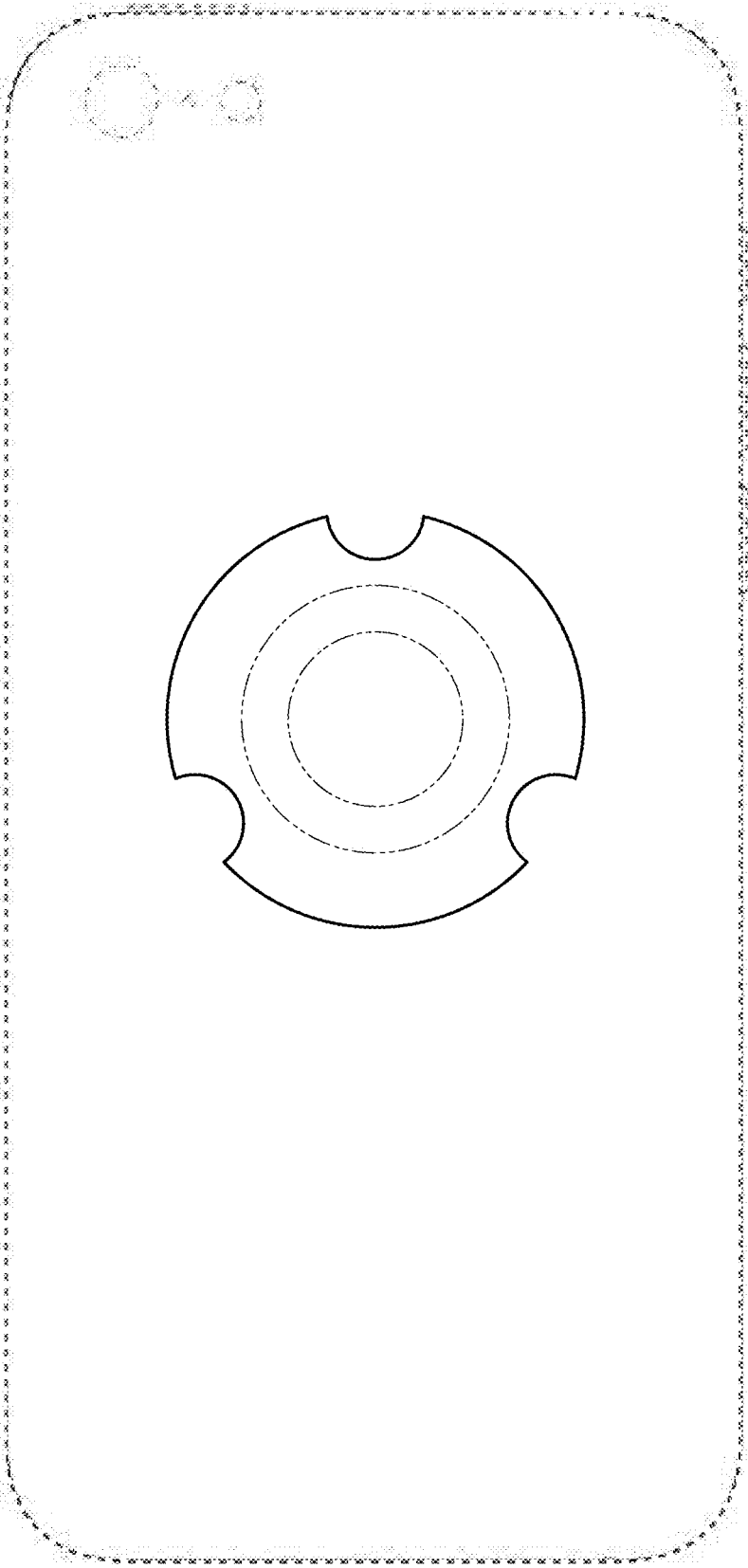


FIG. 6