



US00D911834S

(12) **United States Design Patent**
Tidwell et al.

(10) **Patent No.:** **US D911,834 S**

(45) **Date of Patent:** **** Mar. 2, 2021**

- (54) **CONTAINER**
- (71) Applicant: **PWS PACKAGING SERVICES, INC.**, La Jolla, CA (US)
- (72) Inventors: **Justin Tidwell**, Brea, CA (US);
William Tidwell, Brea, CA (US)
- (**) Term: **15 Years**
- (21) Appl. No.: **29/748,610**
- (22) Filed: **Aug. 31, 2020**

D515,942 S *	2/2006	Hamblin	D24/230
D548,072 S *	8/2007	Nixon	D9/432
D591,593 S	5/2009	Stannard et al.		
7,708,142 B2 *	5/2010	Ehrlund	B65D 5/38 206/528
D633,268 S *	2/2011	Bottita	D34/6
7,967,144 B2 *	6/2011	Sack	B65D 83/0463 206/538
D640,920 S *	7/2011	Giraud	D9/414
D661,016 S *	5/2012	Borges	D27/189
D674,691 S *	1/2013	Martineck	D9/432

(Continued)

Primary Examiner — Rhea Shields
(74) *Attorney, Agent, or Firm* — Buche & Associates,
P.C.; John K. Buche; Bryce A. Johnson

Related U.S. Application Data

- (60) Continuation-in-part of application No. 29/728,907, filed on Mar. 23, 2020, now Pat. No. Des. 897,197, which is a division of application No. 16/826,605, filed on Mar. 23, 2020.
- (51) **LOC (13) Cl.** **09-03**
- (52) **U.S. Cl.**
USPC **D9/418**
- (58) **Field of Classification Search**
USPC D9/414-420, 433, 434, 624, 432, 430,
D9/753; D24/131, 230; D15/138;
D14/376; D6/707; D27/189; D34/6
CPC .. B65D 5/106; B65D 50/046; B65D 83/0463;
B65D 5/38; B65D 11/12; A24F 27/00;
A61J 7/0084
See application file for complete search history.

References Cited

U.S. PATENT DOCUMENTS

D134,249 S	9/1942	Button	
D178,074 S	6/1956	Lemieux	
D180,339 S	5/1957	Pavelle	
4,561,544 A *	12/1985	Reeve B65D 11/12 206/1.5
D353,091 S	12/1994	Mumford	
D382,201 S *	8/1997	Brondyke D9/753
D515,941 S	2/2006	Hamblin et al.	

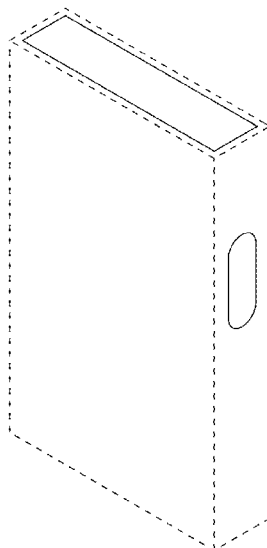
(57) **CLAIM**

We claim the ornamental design for a “container,” as shown and described.

DESCRIPTION

FIG. 1 is a perspective view of a container in a closed configuration;
 FIG. 2 is a front view of the container of FIG. 1;
 FIG. 3 is a back view of the container of FIG. 1;
 FIG. 4 is a left side view of the container of FIG. 1;
 FIG. 5 is a right side view of the container of FIG. 1;
 FIG. 6 is a top view of the container of FIG. 1;
 FIG. 7 is a bottom view of the container of FIG. 1;
 FIG. 8 is a perspective view of the container of FIG. 1 in a closed configuration;
 FIG. 9 is a perspective view of the container of FIG. 1 in an open configuration;
 FIG. 10 is a front view of the container of FIG. 1 in an open configuration; and,
 FIG. 11 is a perspective view of the container of FIG. 1 in an open configuration.
 Broken lines depict portions of the container and form no part of the claimed design.

1 Claim, 8 Drawing Sheets



(56)

References Cited

U.S. PATENT DOCUMENTS

D678,052	S	3/2013	Bakker et al.	
D698,640	S	2/2014	Buchanan et al.	
D706,129	S *	6/2014	Boraczek	D9/418
D708,069	S *	7/2014	Park	D9/624
D712,251	S *	9/2014	Scott	D9/434
D731,323	S	6/2015	O'Neill	
D760,072	S *	6/2016	Lutz	D9/416
D778,149	S *	2/2017	Frick	D9/416
D778,652	S *	2/2017	Siebert	D6/707.15
D786,670	S *	5/2017	Lin	D9/432
D796,562	S *	9/2017	Iu	D15/138
D798,704	S *	10/2017	Hainaut	D9/418
D798,708	S *	10/2017	Chambers	D9/432
D800,304	S *	10/2017	Tamura	D24/131
D811,005	S *	2/2018	Fath	D27/189
D814,925	S *	4/2018	Davidson	D9/430
D831,480	S *	10/2018	Arazi	D9/433
D853,234	S *	7/2019	Aziz	D9/432
D855,452	S	8/2019	Palacios et al.	
D863,056	S *	10/2019	Luna	D9/432
D867,129	S *	11/2019	Chambers	D9/432
D878,197	S *	3/2020	Griffin	D9/432
RE47,979	E	5/2020	O'Neill	
D887,409	S *	6/2020	Chu	D14/376
D896,630	S *	9/2020	Gomez	D9/418
D897,197	S *	9/2020	Tidwell	D9/418
D899,247	S *	10/2020	Kilduff	D9/432
2004/0099565	A1 *	5/2004	Dehlin	B65D 50/046 206/536
2009/0152134	A1 *	6/2009	Katsis	A24F 27/00 206/96
2019/0201285	A1 *	7/2019	Warden	A61J 7/0084
2019/0256242	A1 *	8/2019	Tidwell	B65D 5/106

* cited by examiner

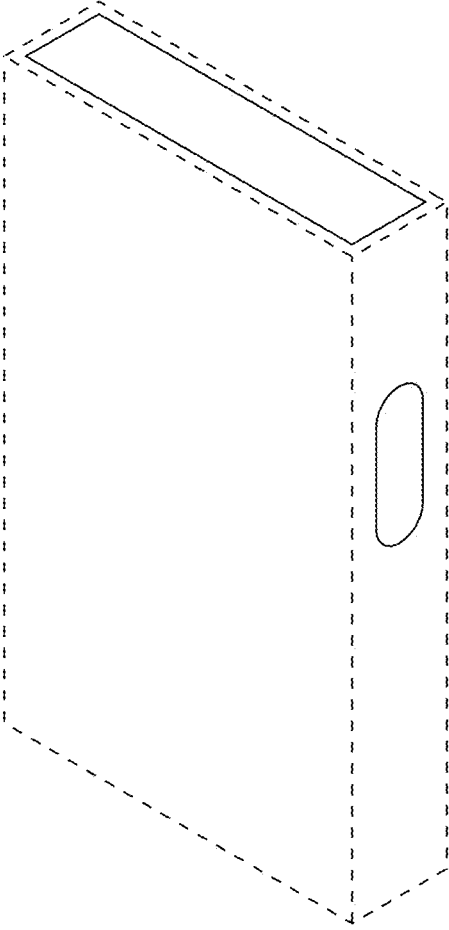


FIG. 1

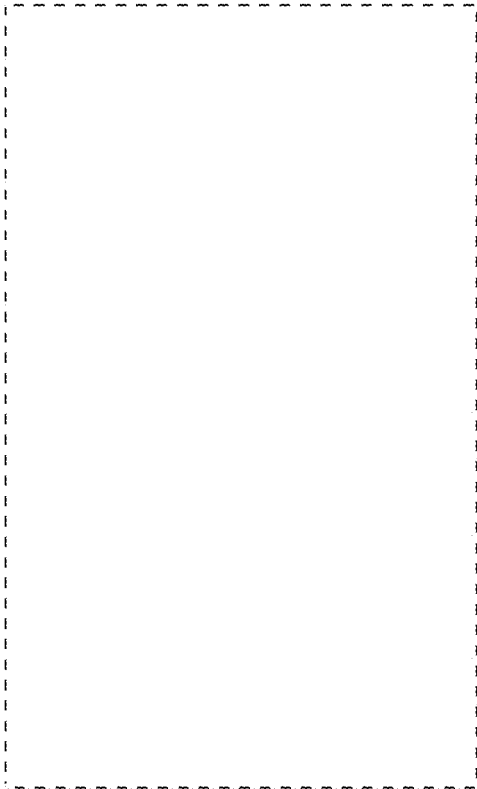


FIG. 2

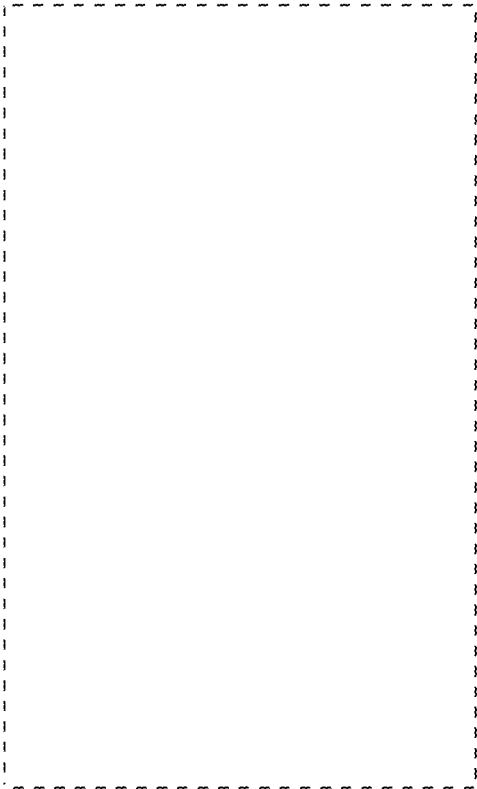


FIG. 3

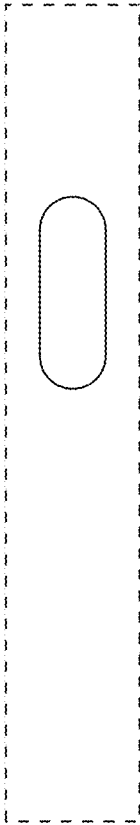


FIG. 4

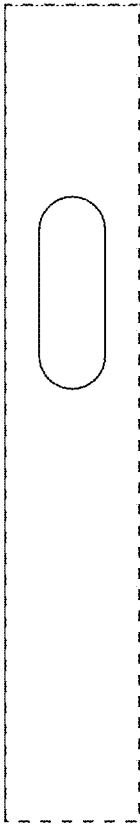


FIG. 5

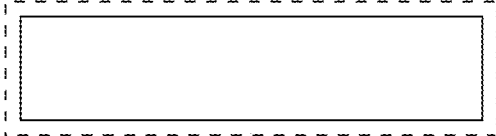


FIG. 6

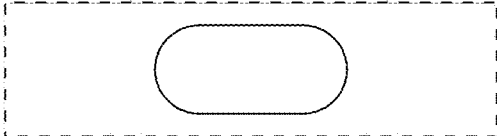


FIG. 7

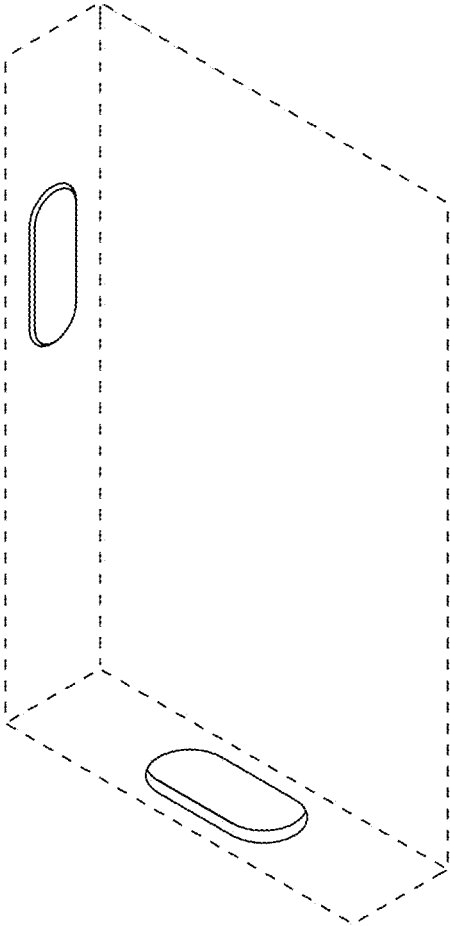


FIG. 8

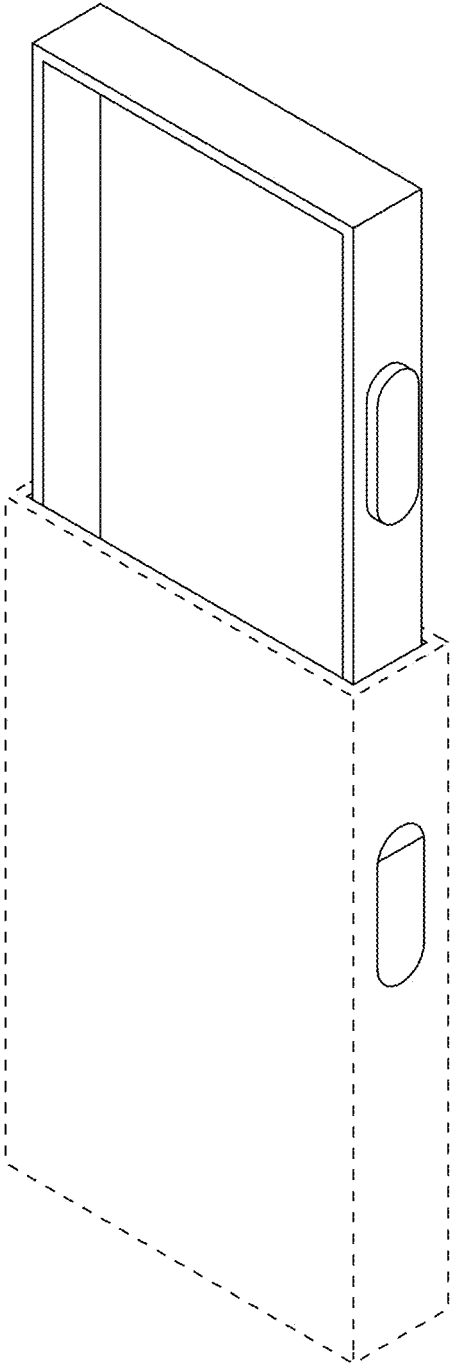


FIG. 9

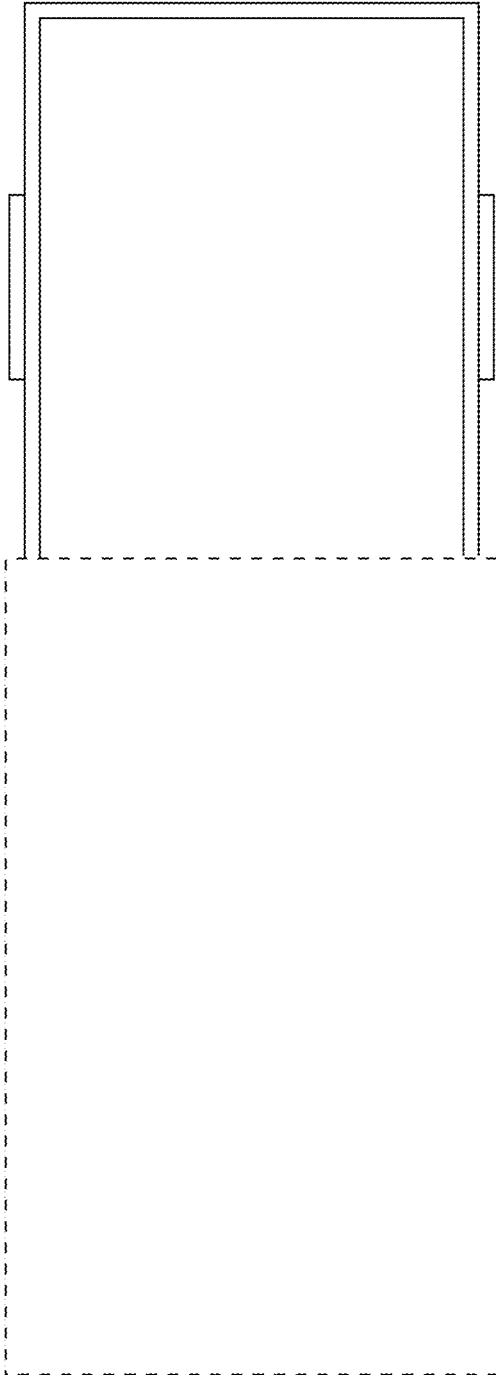


FIG. 10

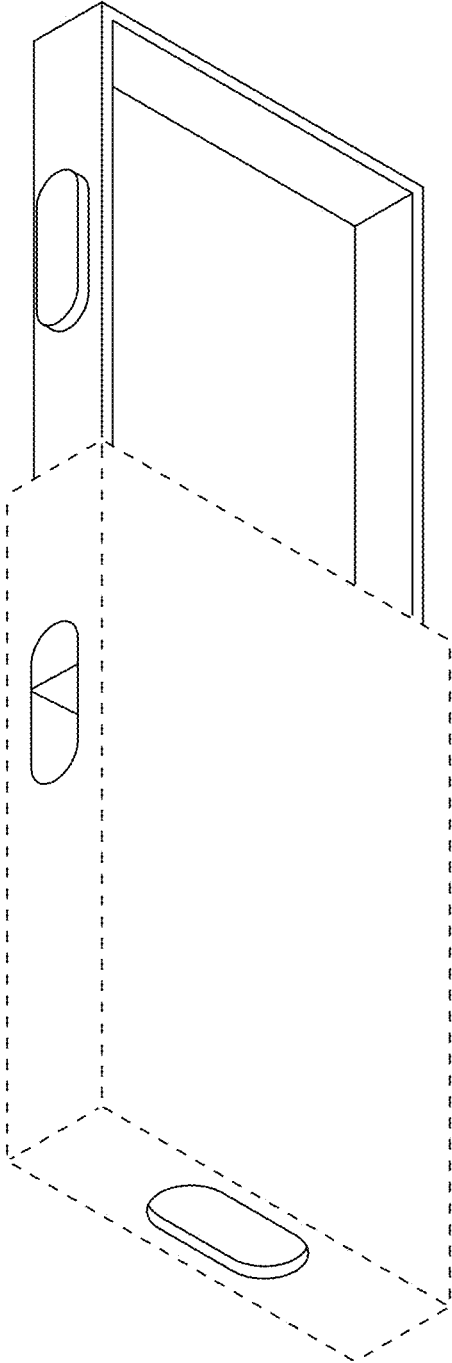


FIG. 11