



US00D939962S

(12) **United States Design Patent**  
**Tidwell et al.**

(10) **Patent No.:** **US D939,962 S**

(45) **Date of Patent:** **\*\* Jan. 4, 2022**

(54) **CONTAINER**

(71) Applicants: **Justin Tidwell**, Brea, CA (US);  
**William Tidwell**, Brea, CA (US)

(72) Inventors: **Justin Tidwell**, Brea, CA (US);  
**William Tidwell**, Brea, CA (US)

(\*\*) Term: **15 Years**

(21) Appl. No.: **29/714,921**

(22) Filed: **Nov. 26, 2019**

**Related U.S. Application Data**

(63) Continuation-in-part of application No. 29/712,105, filed on Nov. 5, 2019, which is a continuation-in-part of application No. 29/644,423, filed on Apr. 17, 2018, now Pat. No. Des. 891,931, application No. 29/714,921, which is a continuation-in-part of application No. 29/644,423, filed on Apr. 17, 2018, now Pat. No. Des. 891,931, and a continuation-in-part of application No. 29/635,538, filed on Jan. 31, 2018, now Pat. No. Des. 865,529, said application No. 29/712,105 is a continuation-in-part of application No. 29/635,538, filed on Jan. 31, 2018, now Pat. No. Des. 865,529.

(51) **LOC (13) Cl.** ..... **09-01**

(52) **U.S. Cl.**  
USPC ..... **D9/529**

(58) **Field of Classification Search**  
USPC ..... D9/432, 434-436, 452, 516, 529, 544,  
D9/546, 549, 550-559, 560, 564, 565,  
D9/570-575, 715, 719; D28/4, 7, 76, 83,  
D28/85  
CPC ..... B65D 21/0204; B65D 2501/0081; A45D  
40/0068; A45D 33/00; A45D 33/34  
See application file for complete search history.

(56) **References Cited**

U.S. PATENT DOCUMENTS

D34,061 S	2/1901	Scattergood
D65,326 S	7/1924	Cahalane
2,076,551 A	4/1937	Conner
2,077,215 A	4/1937	Conner
2,077,216 A	4/1937	Conner
2,711,766 A	6/1955	Archer et al.
3,311,248 A	3/1967	Marchant
D237,361 S	10/1975	Picker
D359,983 S	7/1995	Rosenbaum

(Continued)

FOREIGN PATENT DOCUMENTS

CN	301921442	5/2012
CN	303603019	3/2016

OTHER PUBLICATIONS

Pollen Gear, <https://www.pollengear.com/glass-packaging/>, retrieved Apr. 10, 208.

*Primary Examiner* — Bao-Yen T Nguyen  
(74) *Attorney, Agent, or Firm* — Buche & Associates,  
P.C.; John K. Buche; Bryce A. Johnson

(57)

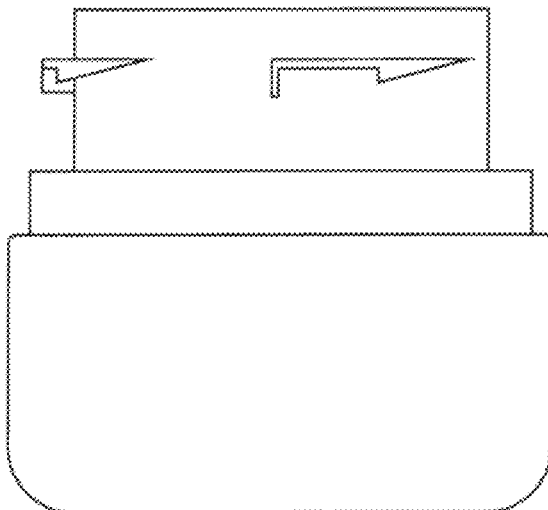
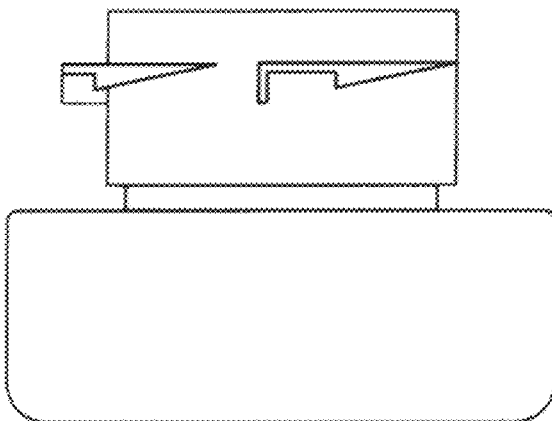
**CLAIM**

We claim the ornamental design for a “container,” as shown.

**DESCRIPTION**

FIG. 1 is a side elevation view a first embodiment of a container showing our new design;  
FIG. 2 is a side elevation view thereof;  
FIG. 3 is a top plan view thereof;  
FIG. 4 is a bottom plan view thereof;  
FIG. 5 is a side elevation view of a second embodiment of a container showing our new design;  
FIG. 6 is another side elevation view thereof;  
FIG. 7 is a top plan view thereof; and,  
FIG. 8 is a bottom plan view thereof.  
The broken lines in the drawings illustrate portions of the container that form no part of the claimed design.

**1 Claim, 2 Drawing Sheets**



(56)

References Cited

U.S. PATENT DOCUMENTS

D441,284 S	5/2001	Saur et al.	D744,167 S	11/2015	Chertoff	
D462,144 S	8/2002	Gaydon	D766,093 S	9/2016	Otani	
D471,324 S	3/2003	Kalin	D781,151 S	3/2017	Lerman	
D493,721 S	8/2004	Puigbo	D785,458 S *	5/2017	Futagami .....	D9/529
D506,128 S	6/2005	Foi	D786,078 S *	5/2017	Futagami .....	D9/529
D532,937 S	11/2006	Noh	D790,135 S	6/2017	Macaluso	
D538,478 S	3/2007	Chen	D797,559 S	9/2017	Lerman	
D554,367 S	11/2007	Chou et al.	D799,328 S	10/2017	Canamasas Puigbo	
D561,593 S	2/2008	Gomez	D799,754 S	10/2017	Chertoff	
D571,219 S	6/2008	McCoy	D800,566 S	10/2017	Wieland	
D578,891 S	10/2008	Puigbo	D808,280 S	1/2018	Nagata	
7,448,767 B2	11/2008	Zhang	D833,873 S	11/2018	Costello	
D634,202 S	3/2011	Zamberlan et al.	D842,613 S	3/2019	Flynn	
D635,030 S	3/2011	L'Abbate	D842,700 S *	3/2019	Blomberg .....	D9/500
D638,300 S	5/2011	L'Abbate	D863,972 S *	10/2019	Staab .....	D9/560
D641,257 S	7/2011	Rhiebaut et al.	D865,529 S *	11/2019	Tidwell .....	D9/529
D644,108 S	8/2011	Vila Calvo	D870,560 S *	12/2019	Yoshioka .....	D9/529
D668,143 S	10/2012	Akana	D873,142 S *	1/2020	Jones .....	D9/516
D709,379 S	7/2014	Moretti	D878,913 S *	3/2020	Castellanos .....	D9/529
D712,596 S	9/2014	Lee	D889,447 S *	7/2020	Biddle .....	D14/240
D715,653 S	10/2014	Lavigne	D892,626 S *	8/2020	Staab .....	D9/529
D734,550 S	7/2015	Schlatter	2006/0144739 A1 *	7/2006	Tsai .....	A45D 40/0068 206/459.5
D739,741 S	9/2015	Staab	2015/0298866 A1 *	10/2015	Hagen .....	B65D 43/0225 220/288
D744,166 S	11/2015	Chertoff	2020/0085166 A1 *	3/2020	Salciarini .....	A45D 40/222

\* cited by examiner

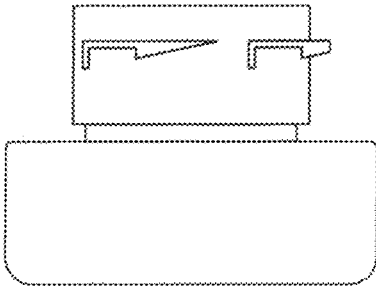


FIG. 1

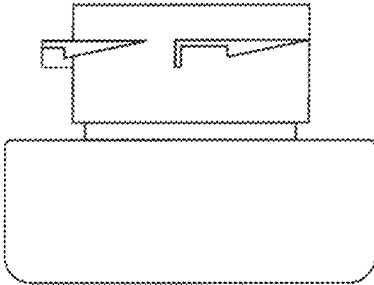


FIG. 2

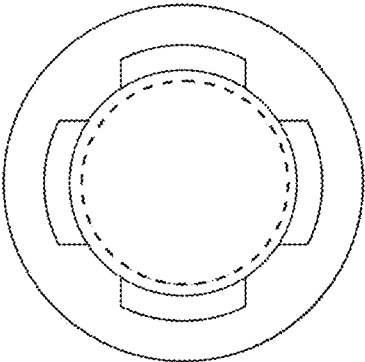


FIG. 3

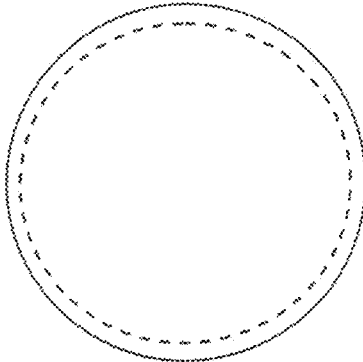


FIG. 4

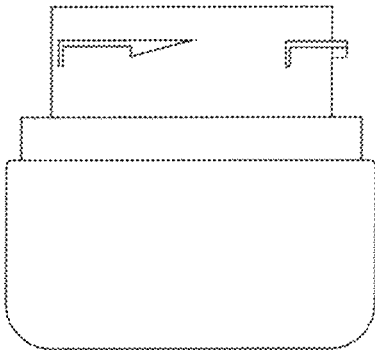


FIG. 5

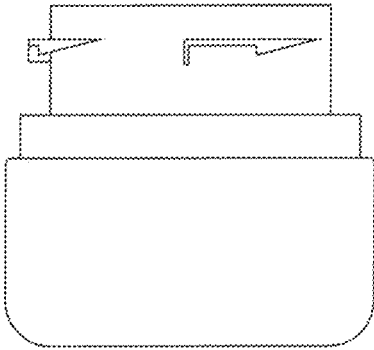


FIG. 6

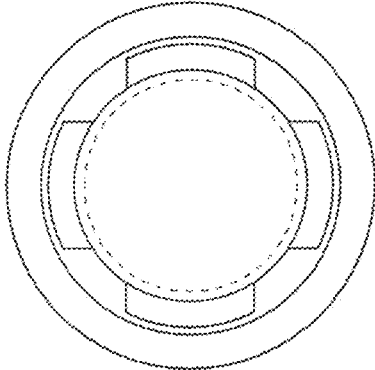


FIG. 7

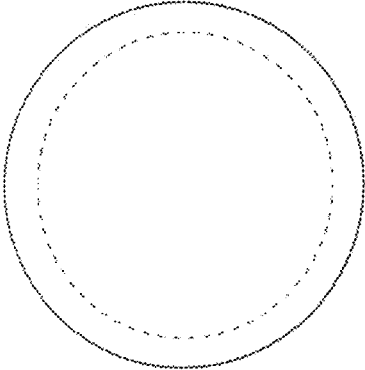


FIG. 8