



US00D942254S

(12) **United States Design Patent**
Becker

(10) **Patent No.:** **US D942,254 S**

(45) **Date of Patent:** **** Feb. 1, 2022**

- (54) **FURNITURE LEG COVER**
- (71) Applicant: **Catherine Becker**, San Diego, CA (US)
- (72) Inventor: **Catherine Becker**, San Diego, CA (US)
- (**) Term: **15 Years**
- (21) Appl. No.: **29/663,979**
- (22) Filed: **Sep. 20, 2018**
- (51) **LOC (13) Cl.** **08-05**
- (52) **U.S. Cl.**
USPC **D8/374**
- (58) **Field of Classification Search**
USPC D8/15, 16, 19, 20, 72-74, 349, 374, 375,
D8/376, 366, 354, 382, 499, 680, 681,
D8/310, 307, 321, 399, 398; D17/20, 99,
D17/9; D6/708.16, 710
CPC A47C 7/006; A47C 7/62; A47B 91/12;
B60T 3/00; A47F 1/065; G10C 3/16
See application file for complete search history.

- 2014/0106099 A1* 4/2014 Desmarais A47B 91/002
428/36.1
- 2018/0140099 A1* 5/2018 Peters A47C 7/008
- 2020/0093265 A1* 3/2020 Becker A47B 91/12
- 2020/0146448 A1* 5/2020 Wendling A47B 91/005

* cited by examiner

Primary Examiner — Eliza Z Bennett-Hattan
(74) *Attorney, Agent, or Firm* — Buche & Associates,
P.C.; John K. Buche; Bryce A. Johnson

(57) **CLAIM**

I claim the ornamental design for “furniture leg cover”, as shown.

DESCRIPTION

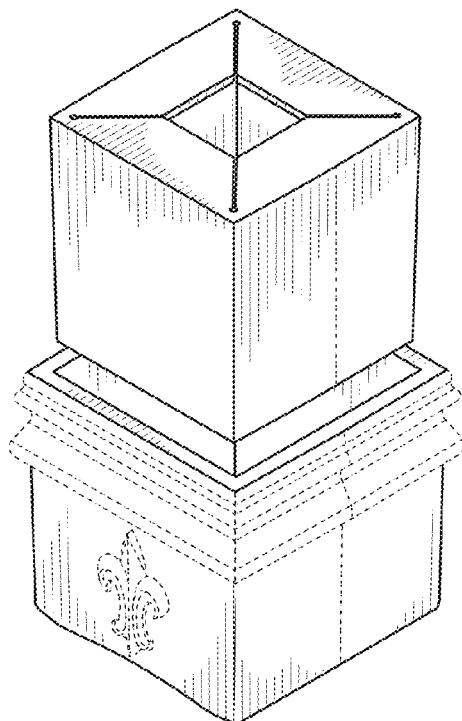
FIG. 1 is an exploded view of the furniture leg cover; and, FIG. 2 is a view of the furniture leg cover of FIG. 1 from the front; FIG. 3 is a view of the furniture leg cover of FIG. 1 from the back; FIG. 4 is a view of the furniture leg cover of FIG. 1 from the left; FIG. 5 is a view of the furniture leg cover of FIG. 1 from the right; FIG. 6 is a view of the furniture leg cover of FIG. 1 from the top; FIG. 7 is a view of the furniture leg cover of FIG. 1 from the bottom; and, FIG. 8 is an environmental view of the furniture leg cover. Broken lines illustrate environmental features and form no part of the claimed design.

1 Claim, 5 Drawing Sheets

(56) **References Cited**

U.S. PATENT DOCUMENTS

- 1,374,029 A * 4/1921 Prickett A47B 91/12
248/615
- 1,554,327 A * 9/1925 Boberg A47B 91/12
248/346.11
- 1,912,728 A * 6/1933 Roe A47B 91/12
248/346.11
- D653,088 S * 1/2012 Hansen D7/624.1
- D896,621 S * 9/2020 Wendling D8/374
- D925,342 S * 7/2021 Winthrop D8/374
- D929,212 S * 8/2021 Guindi D8/374



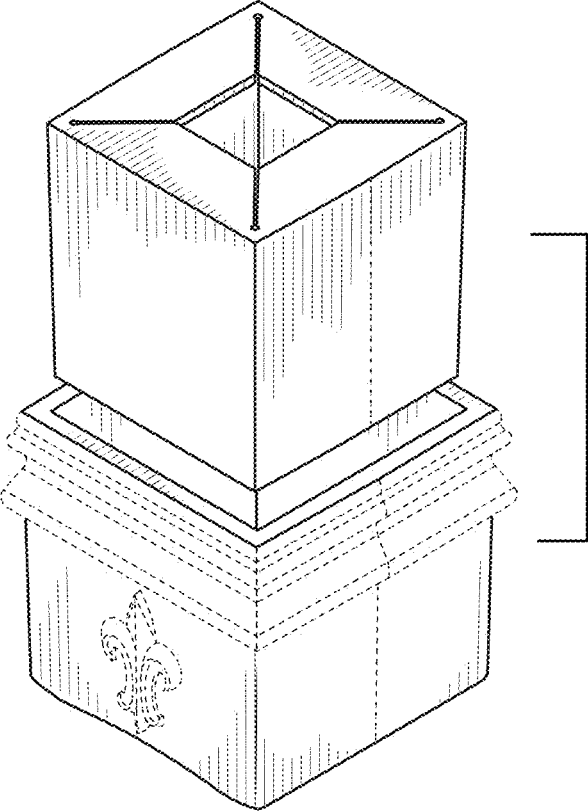


FIG. 1

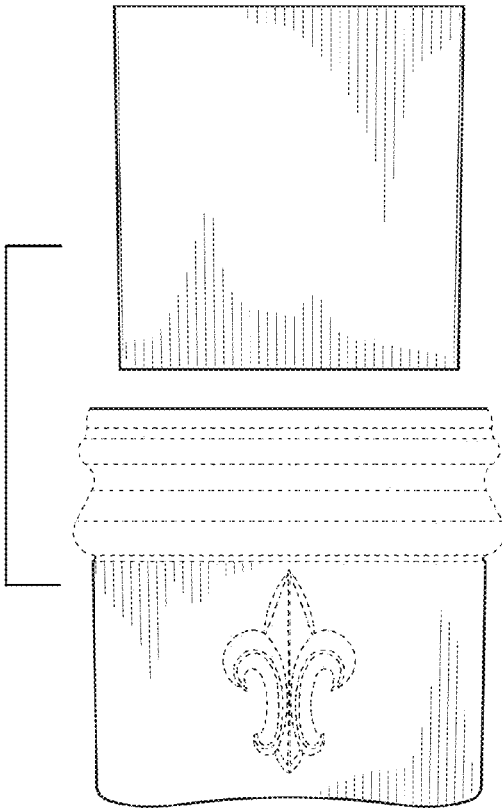


FIG. 2

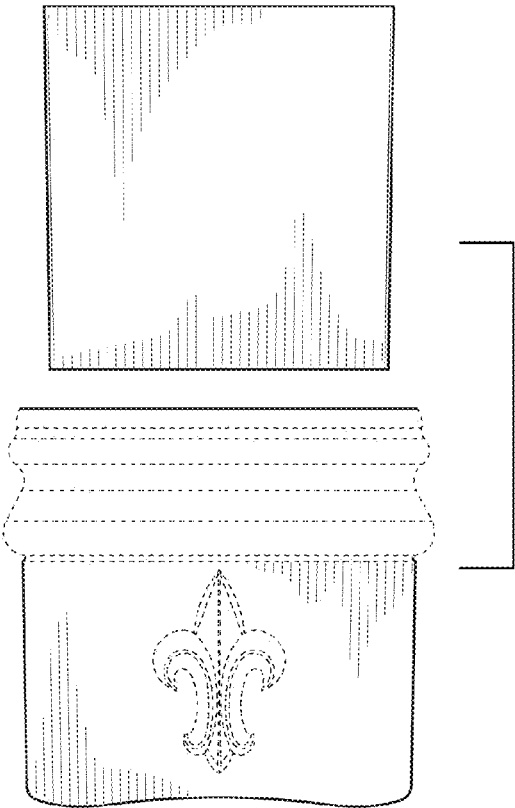


FIG. 3

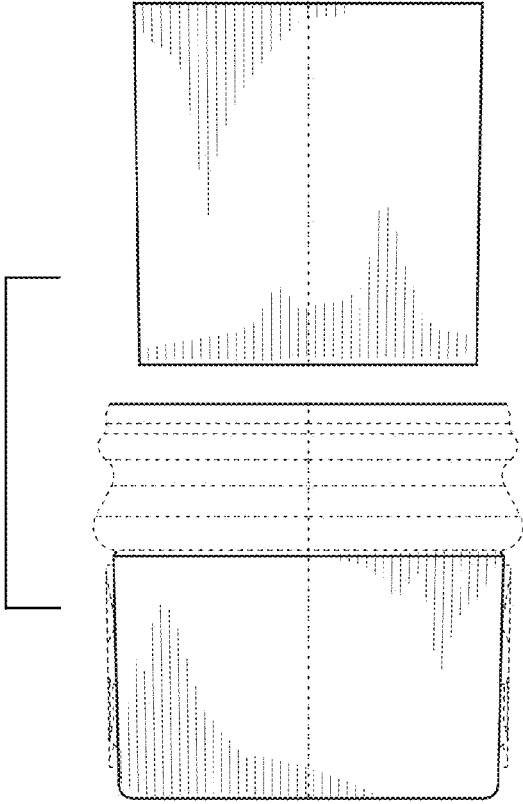


FIG. 4

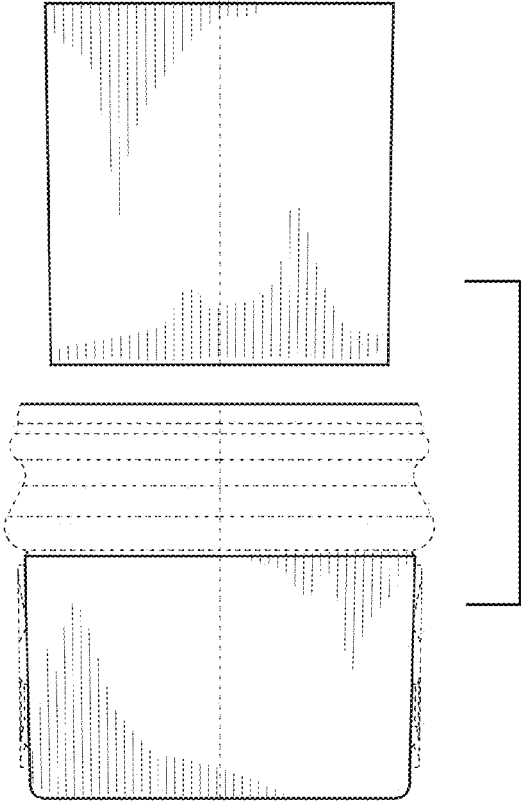


FIG. 5

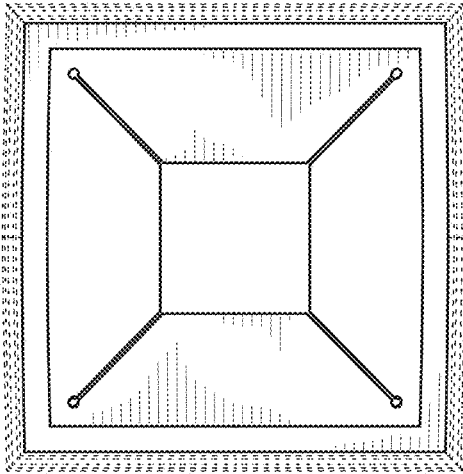


FIG. 6

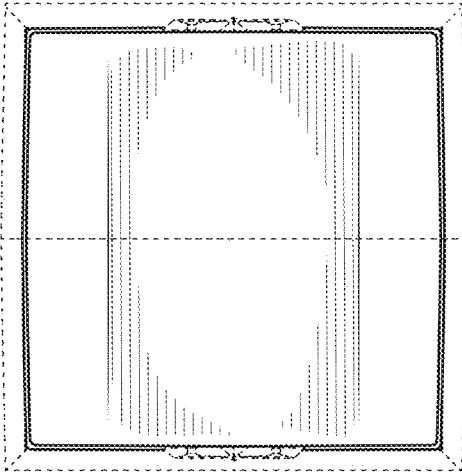


FIG. 7

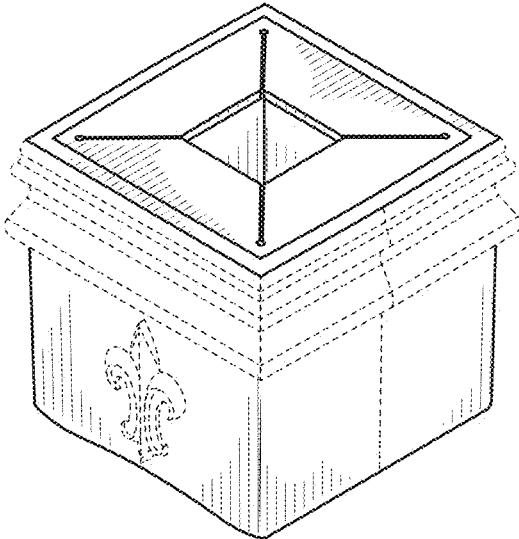


FIG. 8