



US00D534472S

(12) **United States Design Patent**
Jones

(10) **Patent No.:** **US D534,472 S**

(45) **Date of Patent:** **** Jan. 2, 2007**

(54) **WHEEL RIM**

(76) Inventor: **Myron Jones**, 5401 Chimney Rock
#1004, Houston, TX (US) 77081

(**) Term: **14 Years**

(21) Appl. No.: **29/263,579**

(22) Filed: **Jul. 27, 2006**

(51) **LOC (8) Cl.** **12-16**

(52) **U.S. Cl.** **D12/205**

(58) **Field of Classification Search** D12/204-213;
301/37.101, 64.101, 65

See application file for complete search history.

(56) **References Cited**

U.S. PATENT DOCUMENTS

D169,514 S * 5/1953 McLeod D12/205
D180,757 S * 8/1957 Wood D12/205

D230,353 S * 2/1974 Mochel D12/205
D269,603 S * 7/1983 Whitmarsh D12/205
D270,050 S * 8/1983 Retzlaff D12/205
D312,998 S * 12/1990 Carlson D12/205

* cited by examiner

Primary Examiner—Stacia Cadmus

(74) *Attorney, Agent, or Firm*—John Karl Buche

(57) **CLAIM**

The ornamental design for a wheel rim, as shown and described.

DESCRIPTION

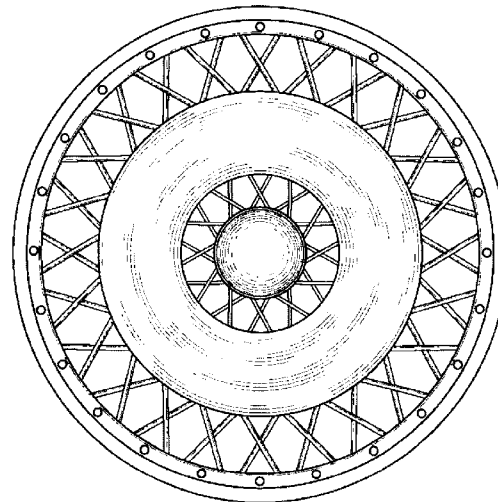
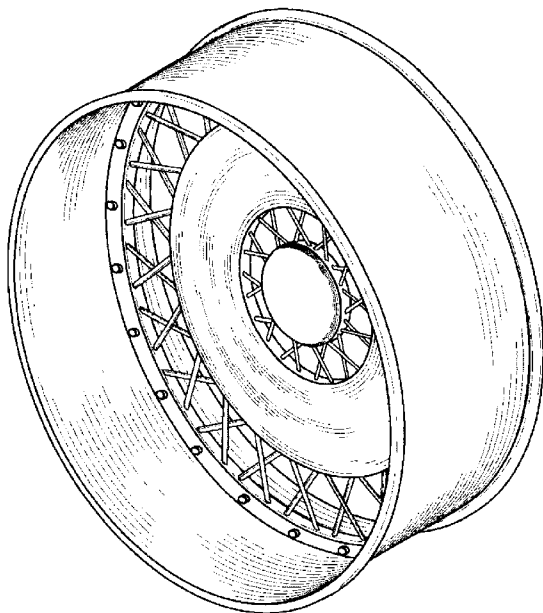
FIG. 1 is a rear perspective view of the wheel rim, showing my new design;

FIG. 2 is a rear view thereof;

FIG. 3 is a front view thereof; and,

FIG. 4 is a side view thereof.

1 Claim, 2 Drawing Sheets



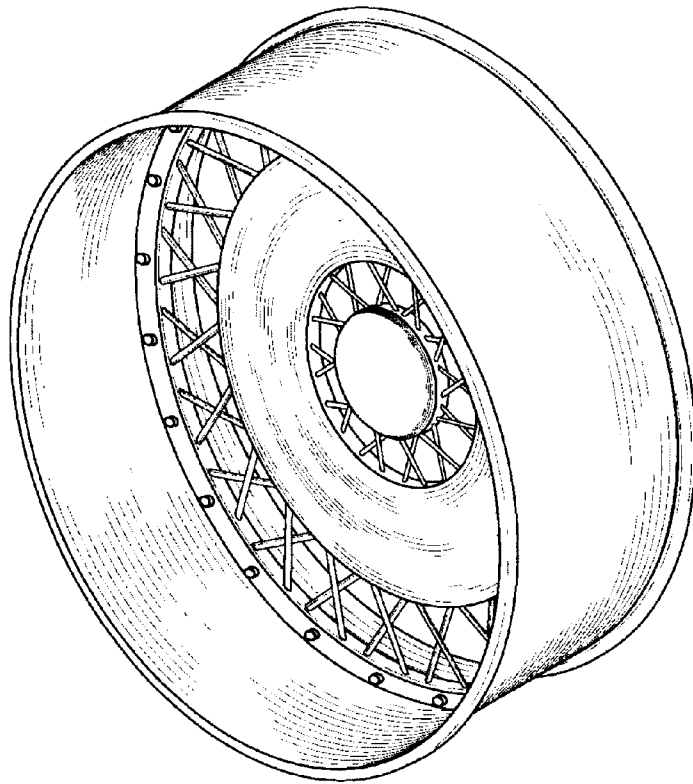


FIG. 1

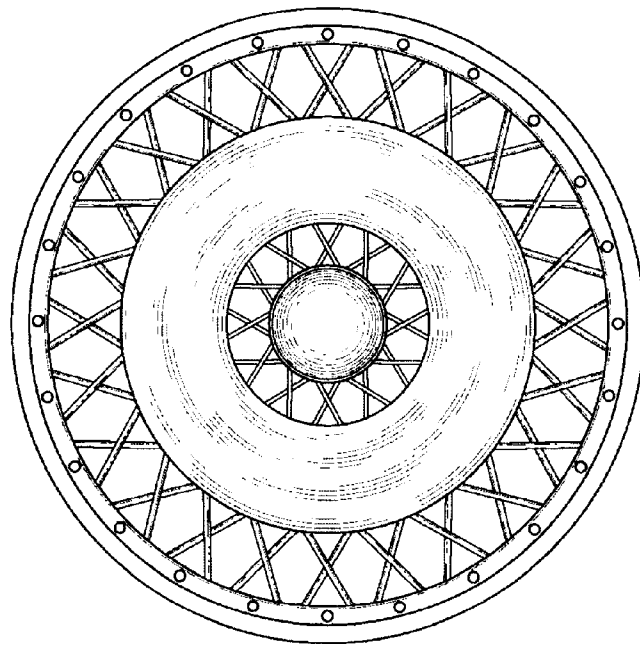


FIG. 2

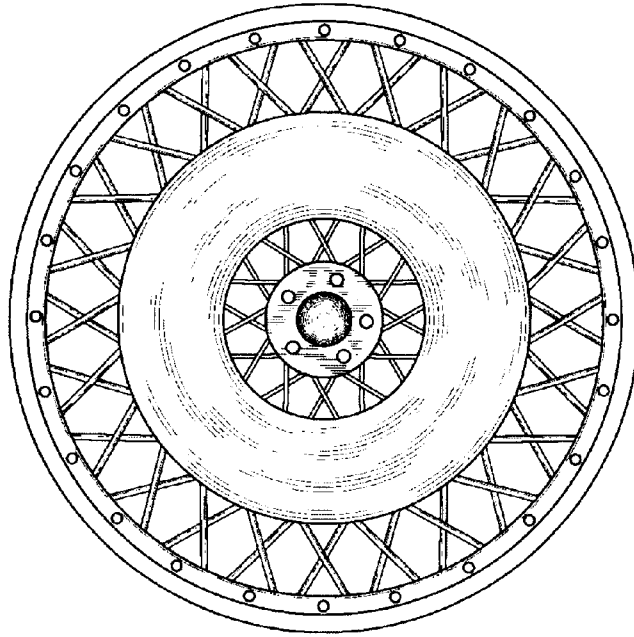


FIG. 3

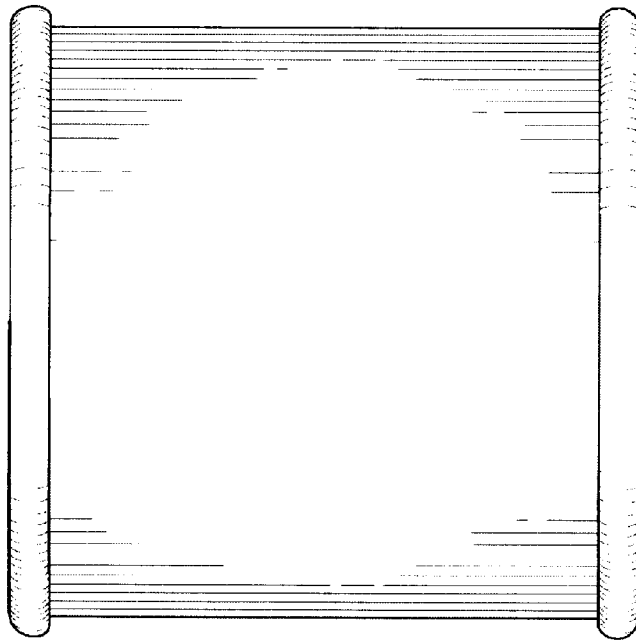


FIG. 4