



US00D602343S

(12) **United States Design Patent**
Olien

(10) **Patent No.:** **US D602,343 S**
(45) **Date of Patent:** **** Oct. 20, 2009**

(54) **TEE POST MOUNTING DEVICE**
(76) Inventor: **Michael A. Olien**, 17431 Sweet Song Dr., Tomball, TX (US) 77377
(**) Term: **14 Years**
(21) Appl. No.: **29/336,309**
(22) Filed: **Apr. 30, 2009**
(51) **LOC (9) Cl.** **08-05**
(52) **U.S. Cl.** **D8/363**
(58) **Field of Classification Search** D8/363,
D8/367, 371, 373, 382; 205/253; 24/265,
24/265 H, 298, 373, 598.4, 598.7, 599.1,
24/599.2, 599.5, 599.6, 599.7, 599.8, 599.4,
24/600.1, 601.2, 600.3, 600.9; 52/698; 248/328;
472/118; 482/91; 294/82.1, 82.11, 1; 114/249;
428/100
See application file for complete search history.

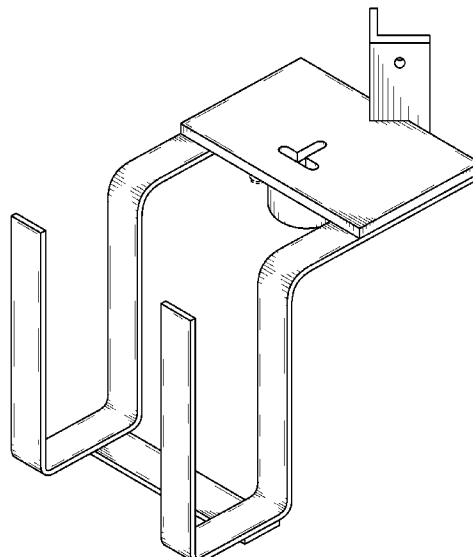
(56) **References Cited**
U.S. PATENT DOCUMENTS
4,687,170 A 8/1987 Beaver
D308,471 S * 6/1990 Murai D8/367
D355,585 S * 2/1995 Terada et al. D8/367
5,398,389 A * 3/1995 Terada et al. 24/599.8
5,450,661 A * 9/1995 Rekuc 24/599.6
5,533,934 A * 7/1996 Miller 472/118
5,588,188 A * 12/1996 Jermyn, Jr. 24/598.7
D402,189 S * 12/1998 Izumi D8/382
D472,452 S * 4/2003 Chou D8/367
D491,049 S * 6/2004 Kung D8/367
D500,244 S * 12/2004 Yoshiguchi D8/367
7,440,027 B2 10/2008 Weaver
D579,763 S * 11/2008 Uehara et al. D8/367
2005/0265711 A1 12/2005 Heibel

2008/0107413 A1 5/2008 Moore
* cited by examiner
Primary Examiner—Robert M Spear
Assistant Examiner—Barbara B Lohr
(74) *Attorney, Agent, or Firm*—John Karl Buche; Buche & Associates, P.C.

(57) **CLAIM**
The ornamental design for a tee post mounting device, as shown and described.

DESCRIPTION
FIG. 1 is a front perspective view of a tee post mounting device showing my new design, wherein the features shown in broken lines depict environmental subject matter only and form no part of the claimed design;
FIG. 2 is a bottom view of the same, wherein the features shown in broken lines depict environmental subject matter only and form no part of the claimed design;
FIG. 3 is a top view of the same;
FIG. 4 is a right side elevational view of the same, wherein the features shown in broken lines depict environmental subject matter only and form no part of the claimed design;
FIG. 5 is a left side elevational view of the same;
FIG. 6 is a front elevational view of the same, wherein the features shown in broken lines depict environmental subject matter only and form no part of the claimed design;
FIG. 7 is a back elevational view of the same, wherein the features shown in broken lines depict environmental subject matter only and form no part of the claimed design; and,
FIG. 8 is a front perspective view of the tee post mounting device wherein the features shown in broken lines depict environmental subject matter only and form no part of the claimed design.

1 Claim, 8 Drawing Sheets



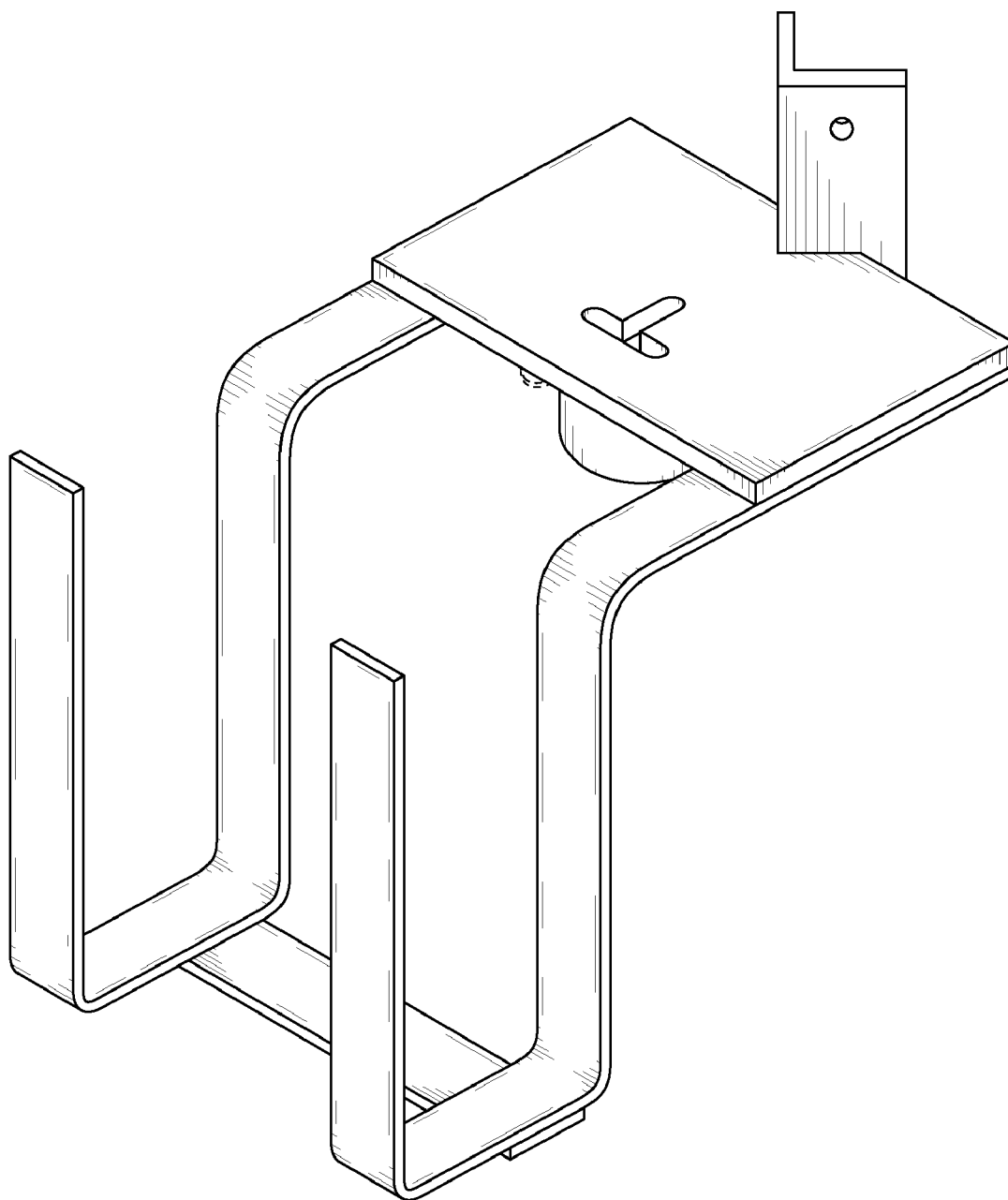


FIG. 1

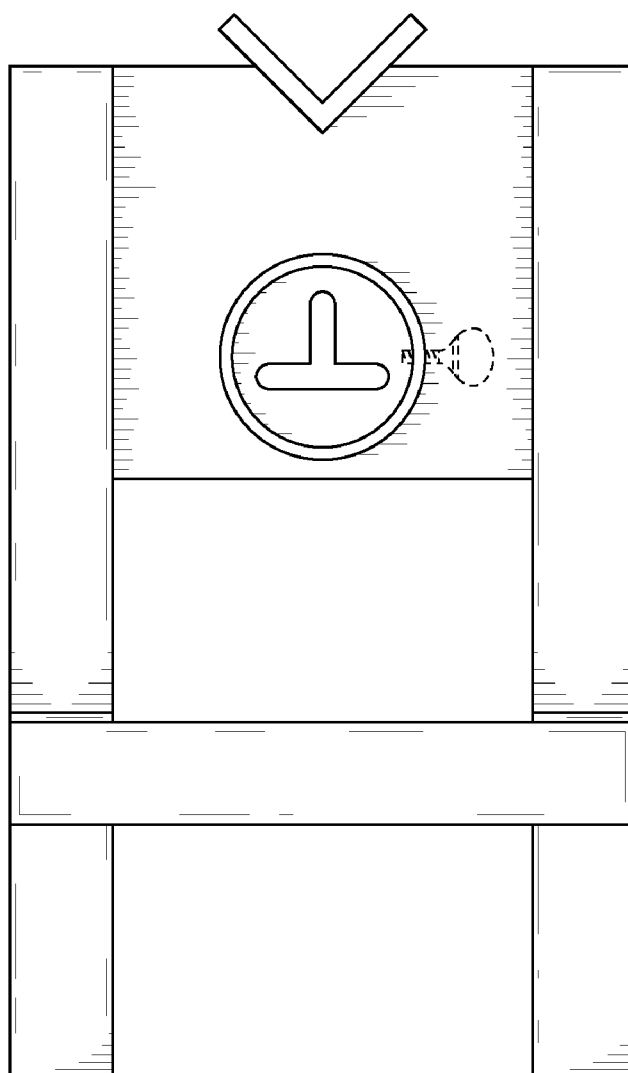


FIG. 2

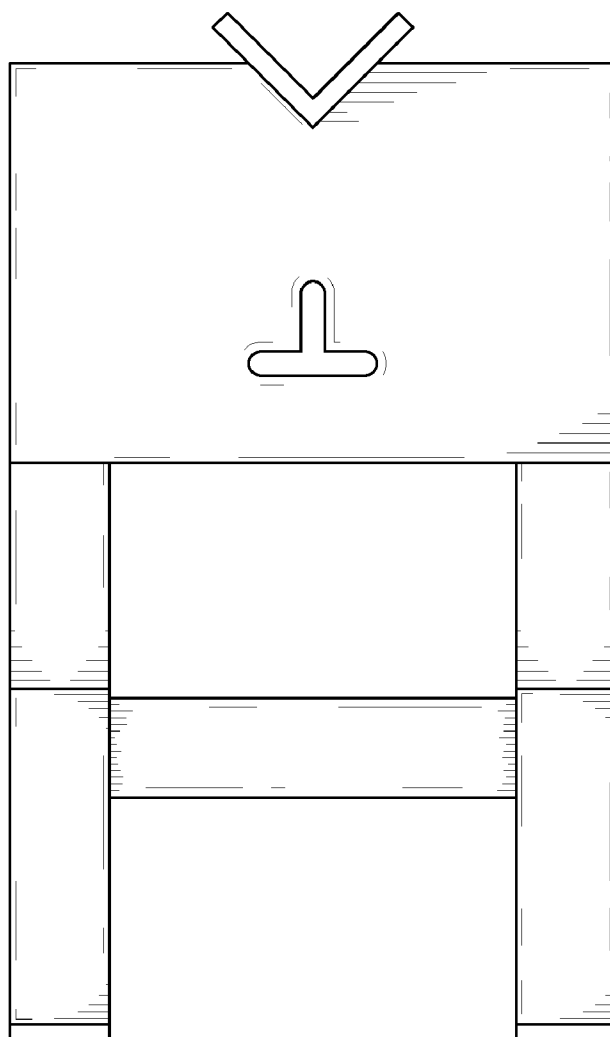


FIG. 3

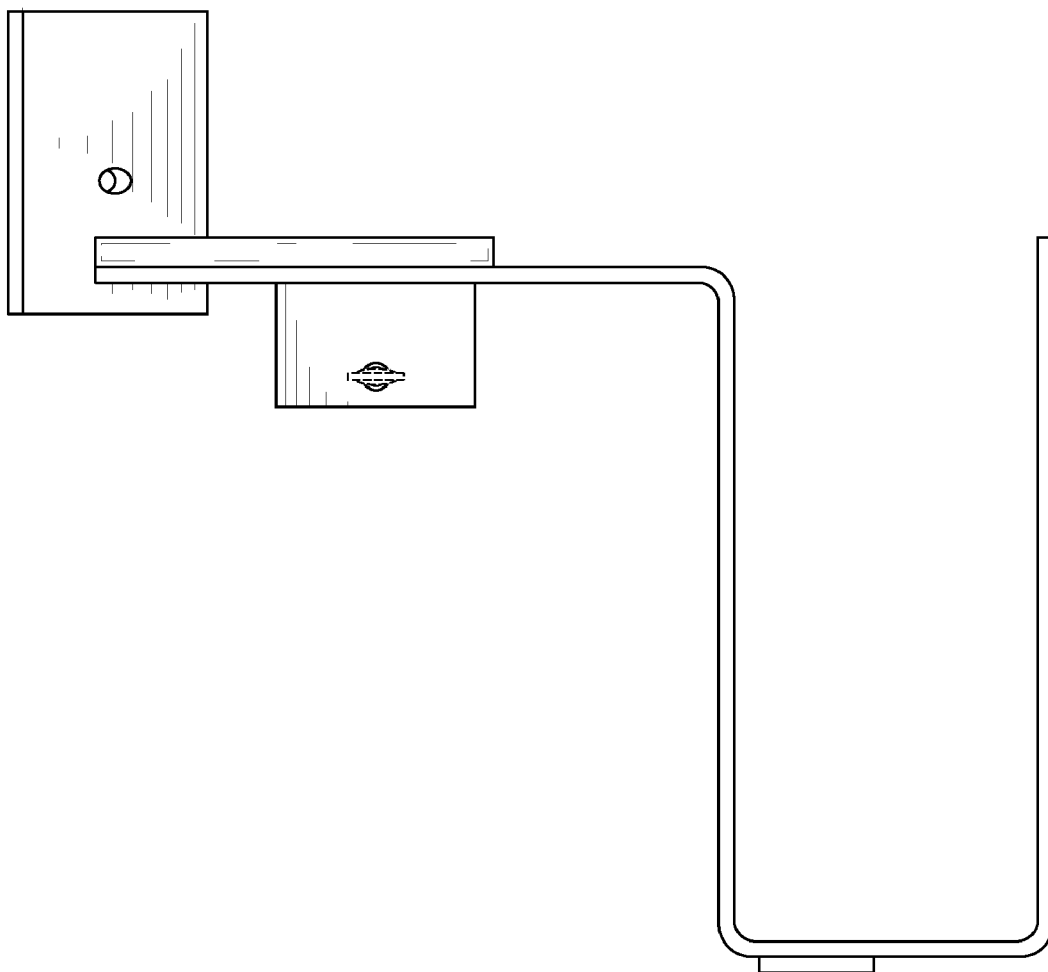


FIG. 4

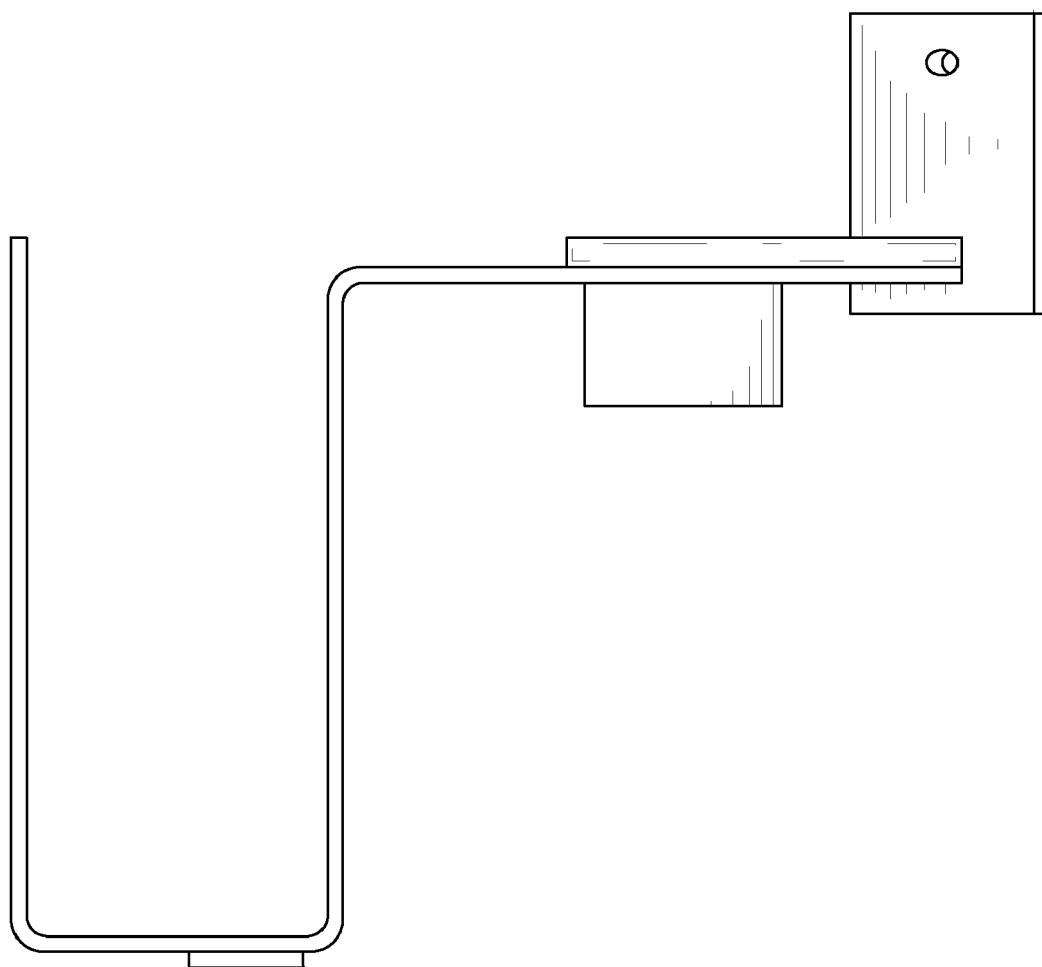


FIG. 5

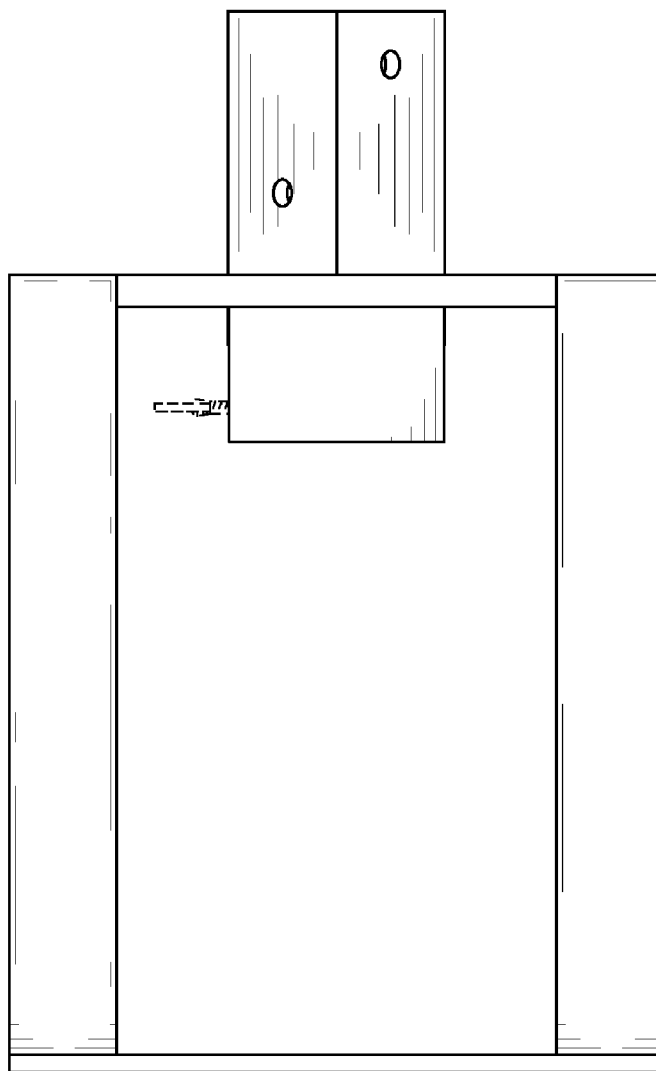


FIG. 6

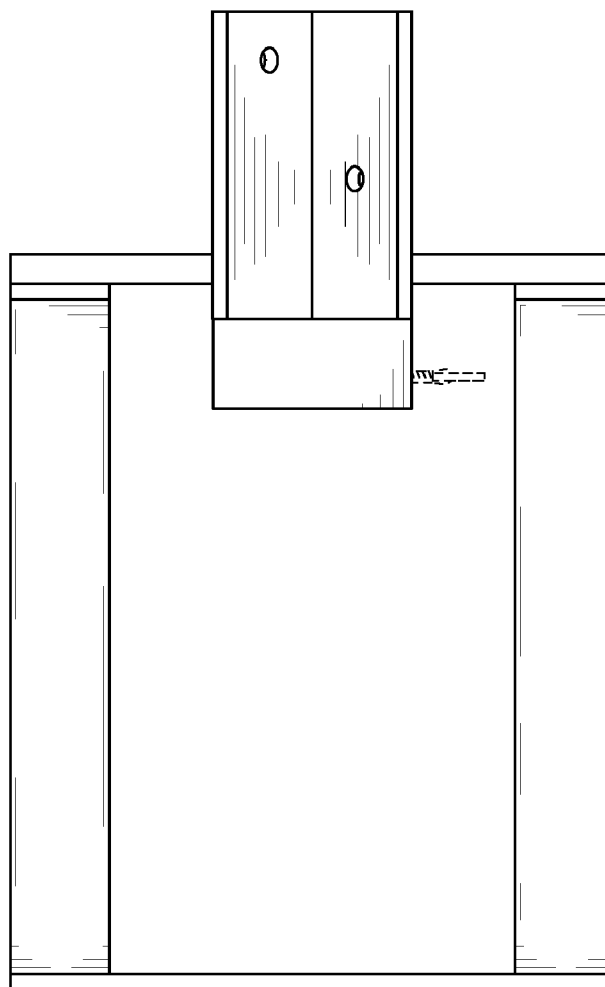


FIG. 7

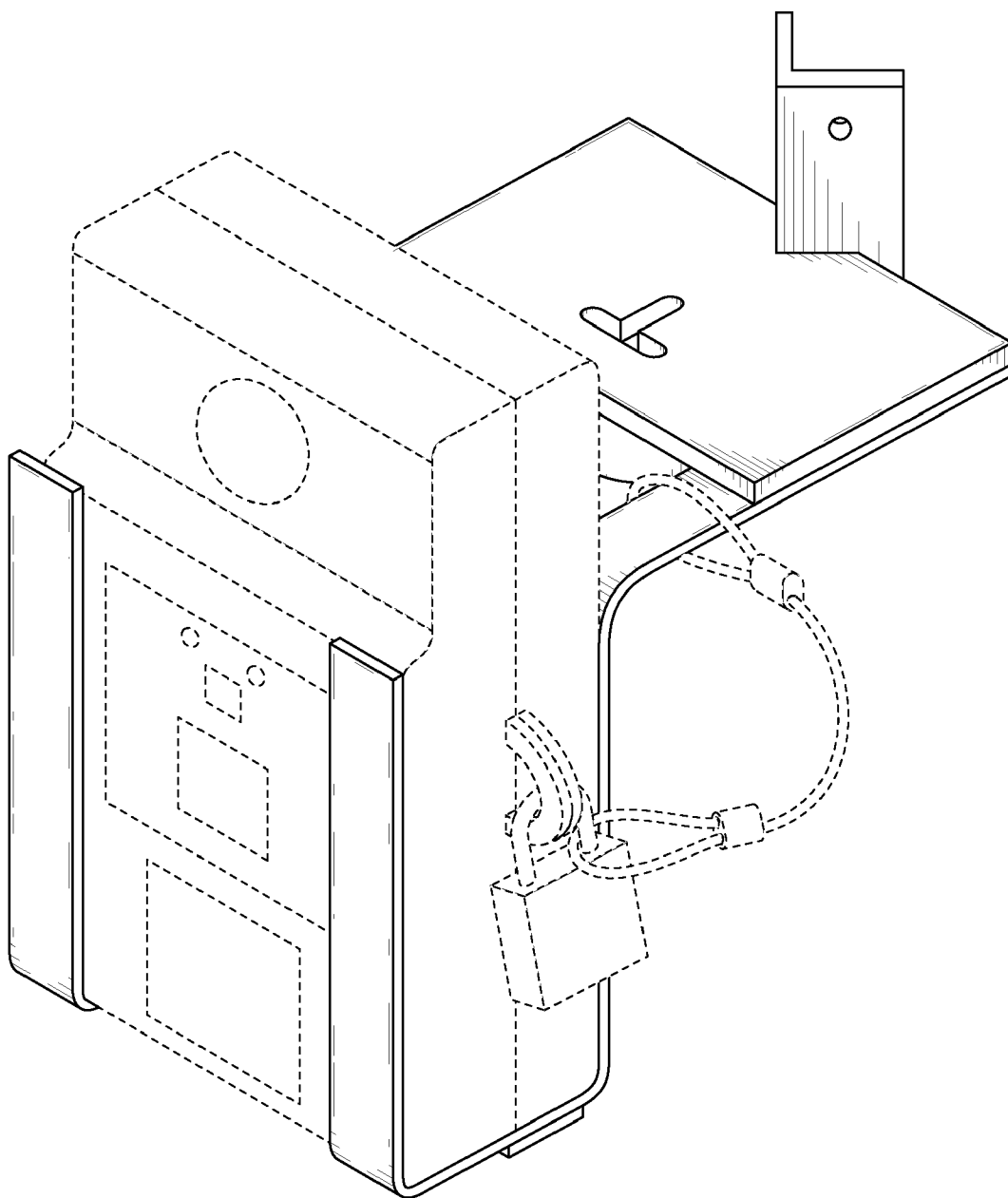


FIG. 8