



US00D602344S

(12) **United States Design Patent**
Olien

(10) **Patent No.:** **US D602,344 S**
(45) **Date of Patent:** **** Oct. 20, 2009**

(54) **TEE POST MOUNTING DEVICE**

(76) Inventor: **Michael A. Olien**, 17431 Sweet Song Dr., Tomball, TX (US) 77377

(**) Term: **14 Years**

(21) Appl. No.: **29/336,311**

(22) Filed: **Apr. 30, 2009**

(51) **LOC (9) Cl.** **08-05**

(52) **U.S. Cl.** **D8/363**

(58) **Field of Classification Search** D8/363,
D8/367, 371, 373, 382; 205/253; 24/265,
24/265 H, 298, 373, 598.4, 598.7, 599.1,
24/599.2, 599.5, 599.6, 599.7, 599.8, 599.4,
24/600.1, 601.2, 600.3, 600.9; 52/698; 248/328;
472/118; 482/91; 294/82.1, 82.11, 1; 114/249;
428/100

See application file for complete search history.

(56) **References Cited**

U.S. PATENT DOCUMENTS

4,687,170	A	8/1987	Beaver	
D308,471	S *	6/1990	Murai	D8/367
D355,585	S *	2/1995	Terada et al.	D8/367
5,398,389	A *	3/1995	Terada et al.	24/599.8
5,450,661	A *	9/1995	Rekuc	24/599.6
5,533,934	A *	7/1996	Miller	472/118
5,588,188	A *	12/1996	Jermyn, Jr.	24/598.7
D402,189	S *	12/1998	Izumi	D8/382
D472,452	S *	4/2003	Chou	D8/367
D491,049	S *	6/2004	Kung	D8/367
D500,244	S *	12/2004	Yoshiguchi	D8/367
7,440,027	B2	10/2008	Weaver	
D579,763	S *	11/2008	Uehara et al.	D8/367
2005/0265711	A1	12/2005	Heibel	
2008/0107413	A1	5/2008	Moore	

* cited by examiner

Primary Examiner—Robert M Spear

Assistant Examiner—Barbara B Lohr

(74) *Attorney, Agent, or Firm*—John K. Buche; Buche & Associates, P.C.

(57) **CLAIM**

The ornamental design for a tee post mounting device, as shown and described.

DESCRIPTION

FIG. 1 is a front perspective view of a tee post mounting device showing my new design, wherein the features shown in broken lines depict environmental subject matter only and form no part of the claimed design;

FIG. 2 is a bottom view of the same, wherein the features shown in broken lines depict environmental subject matter only and form no part of the claimed design;

FIG. 3 is a top view of the same;

FIG. 4 is a right side elevational view of the same, wherein the features shown in broken lines depict environmental subject matter only and form no part of the claimed design;

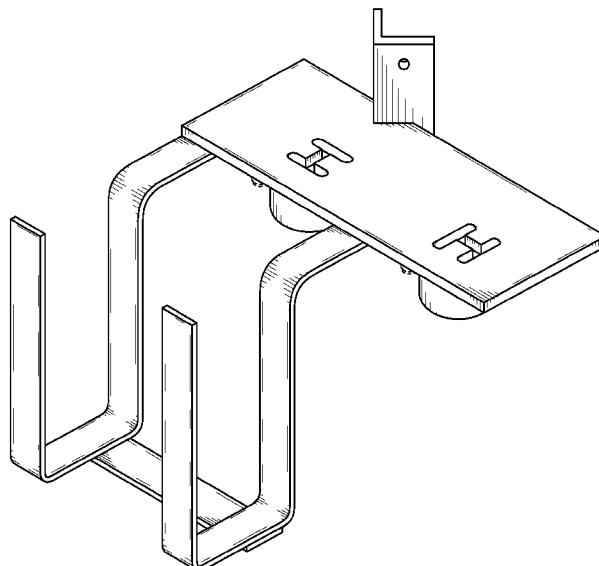
FIG. 5 is a left side elevational view of the same;

FIG. 6 is a front elevational view of the same, wherein the features shown in broken lines depict environmental subject matter only and form no part of the claimed design;

FIG. 7 is a back elevational view of the same, wherein the features shown in broken lines depict environmental subject matter only and form no part of the claimed design; and,

FIG. 8 is a front perspective view of the tee post mounting device wherein the features shown in broken lines depict environmental subject matter only and form no part of the claimed design.

1 Claim, 8 Drawing Sheets



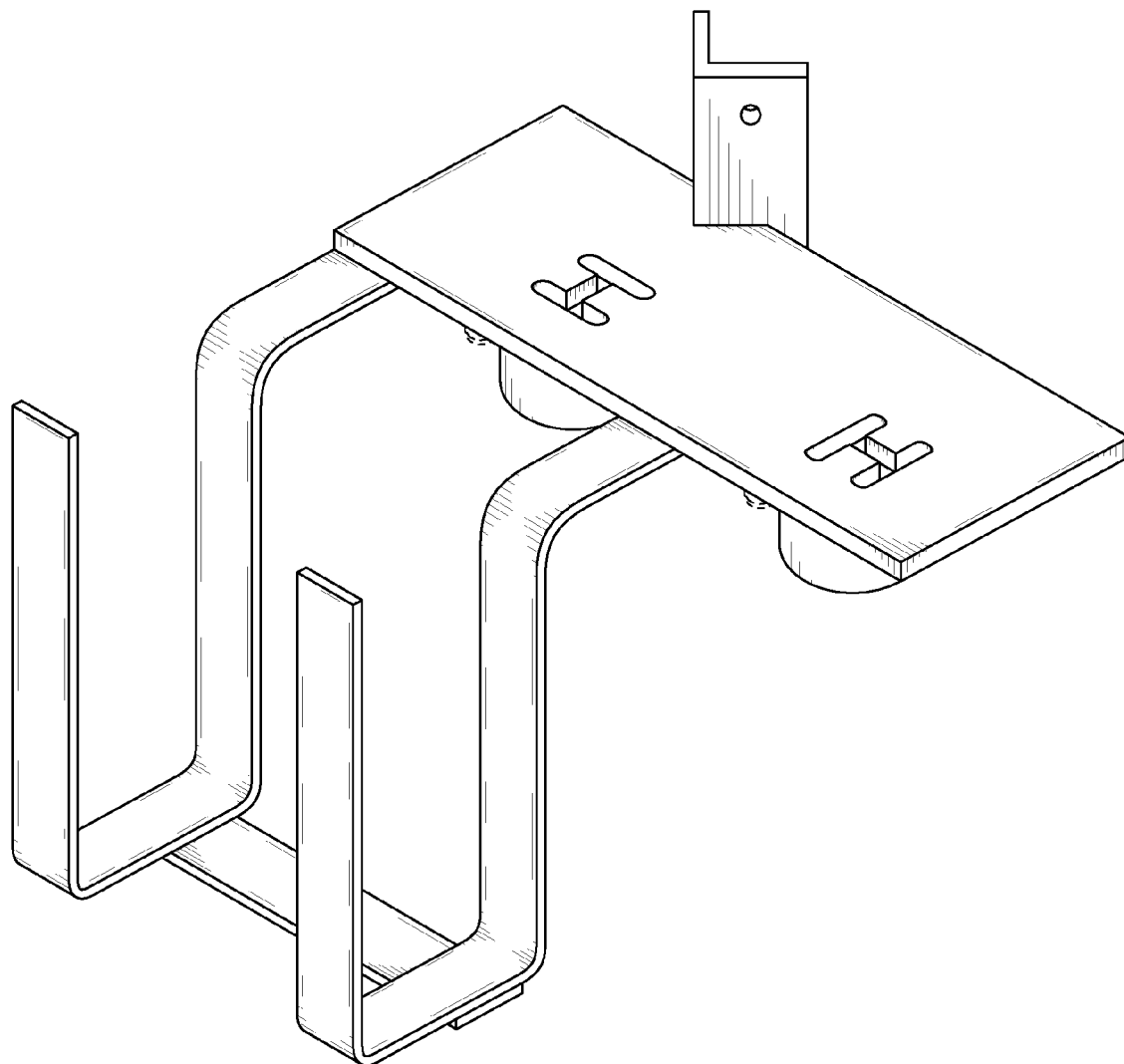


FIG. 1

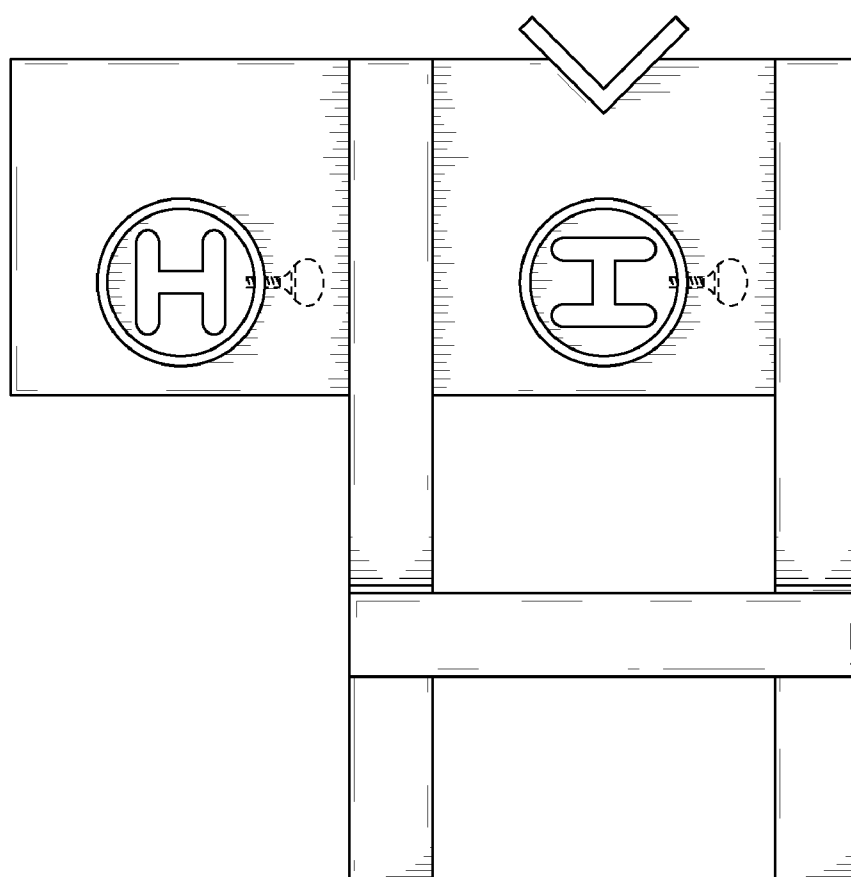


FIG. 2

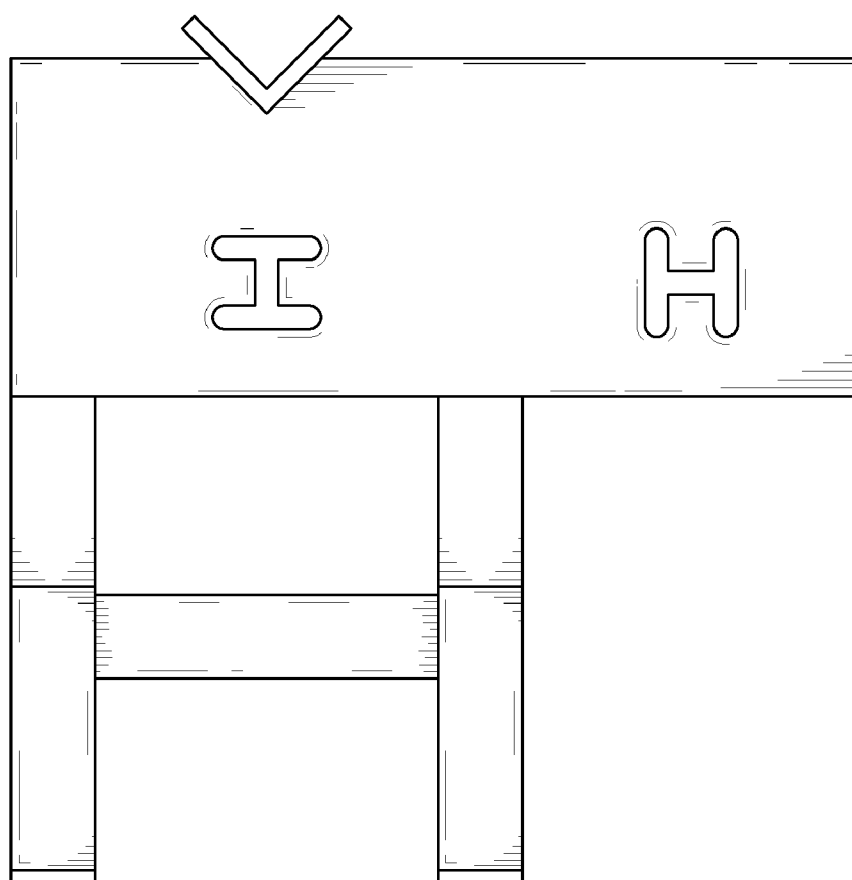


FIG. 3

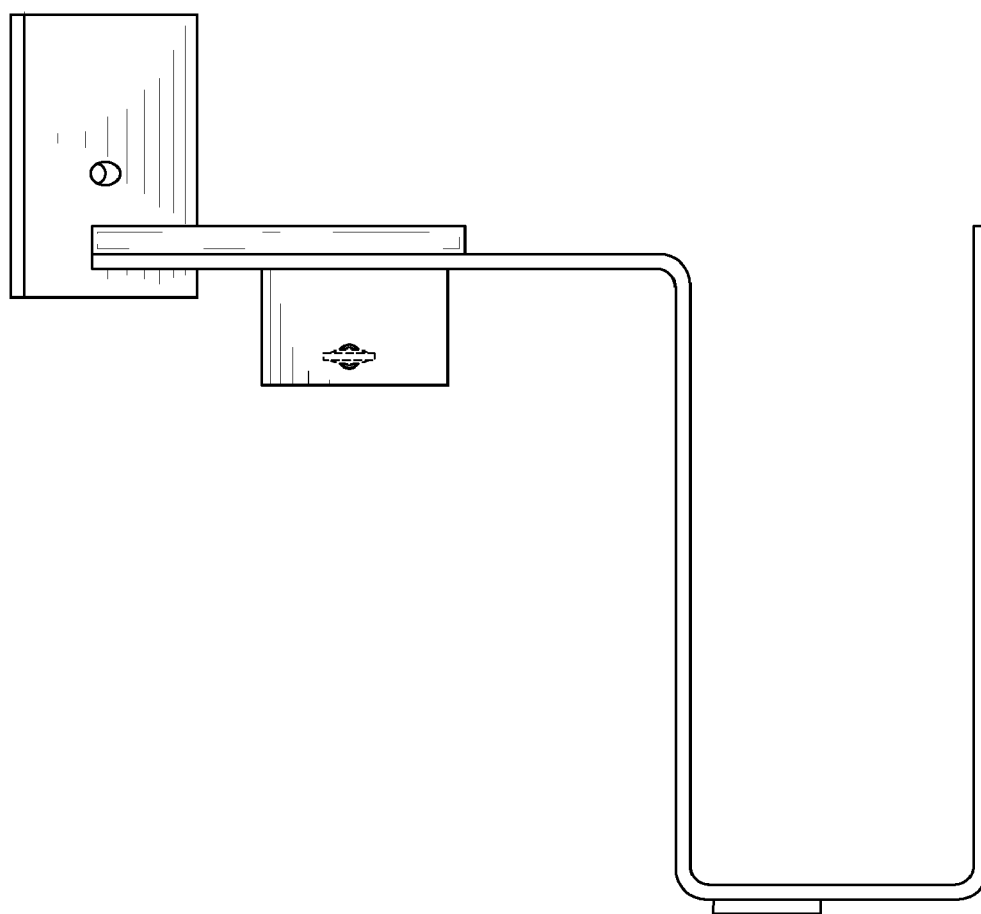


FIG. 4

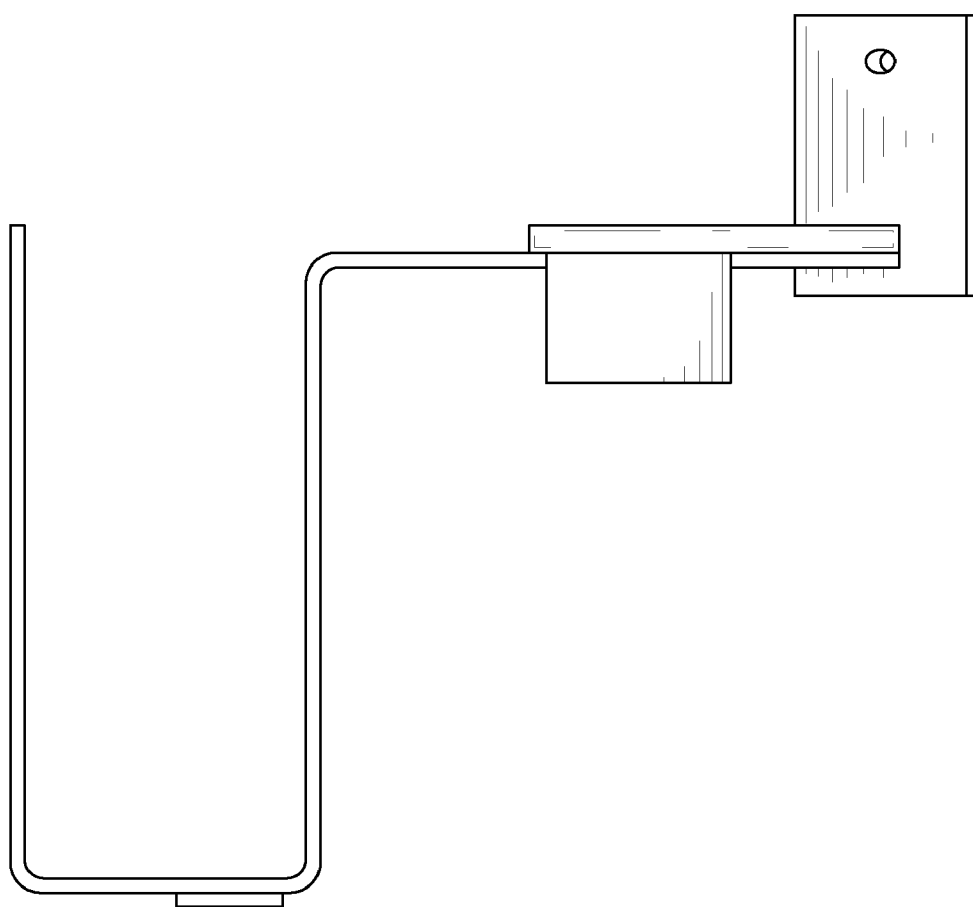


FIG. 5

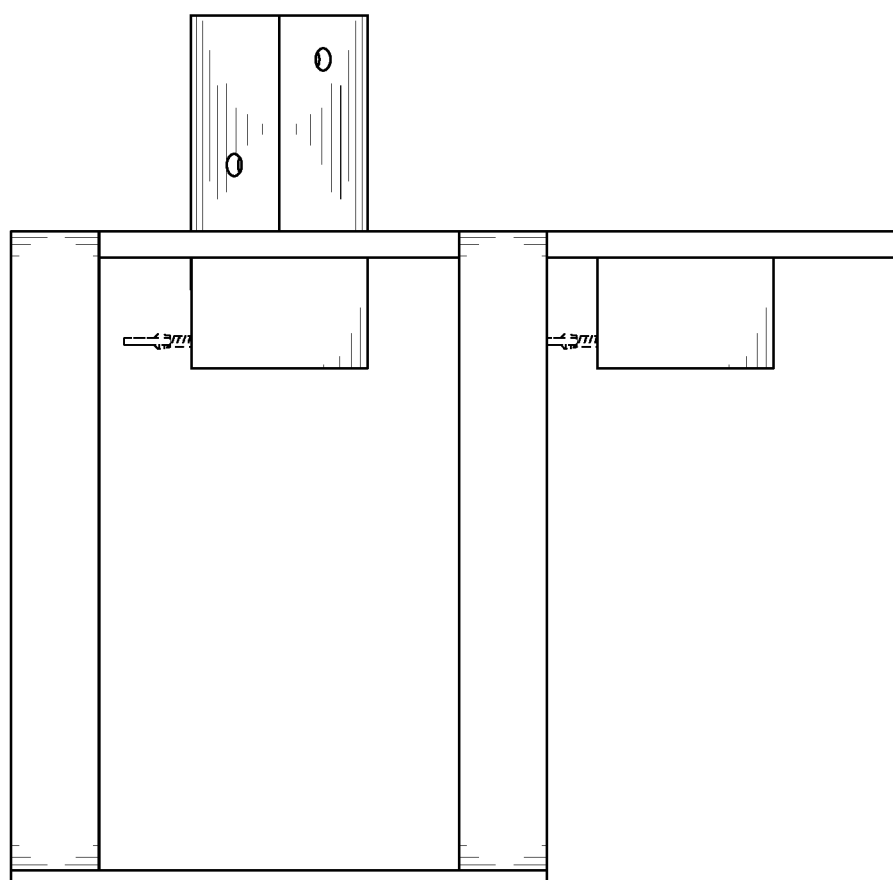


FIG. 6

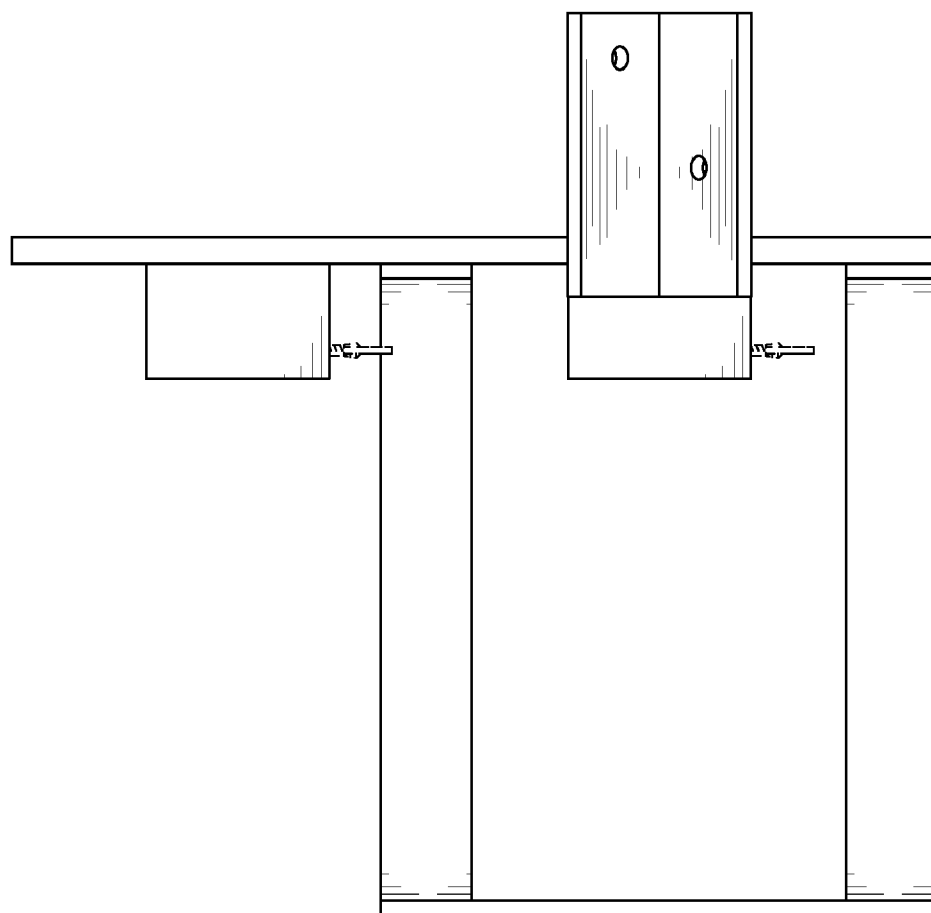


FIG. 7

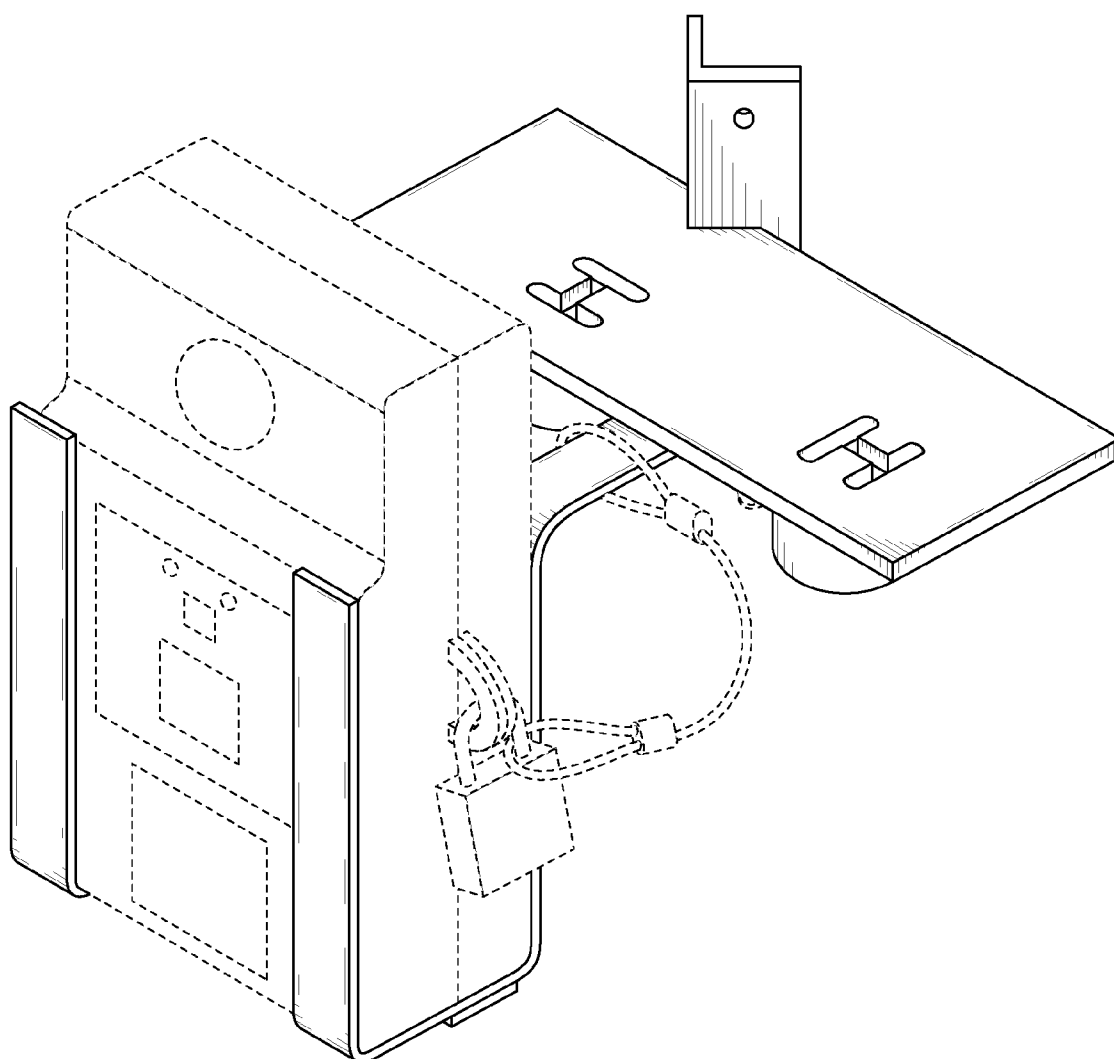


FIG. 8