



US00D660235S

(12) **United States Design Patent**
Liang-Hsu et al.

(10) **Patent No.:** **US D660,235 S**
(45) **Date of Patent:** **** *May 22, 2012**

(54) **PLUG WITH A PULL RING**

(76) Inventors: **Kuo Liang-Hsu**, New Taipei (TW);
Susan James, Pomona, CA (US); **Zheng Wei**, Dongguan (CN)

(*) Notice: This patent is subject to a terminal disclaimer.

(**) Term: **14 Years**

(21) Appl. No.: **29/391,332**

(22) Filed: **May 6, 2011**

(51) **LOC (9) Cl.** **13-03**

(52) **U.S. Cl.** **D13/138.2**

(58) **Field of Classification Search** D13/138.1,
D13/138.2, 139.1–139.8, 137.1–137.4, 133,
D13/107, 108, 146, 147, 154, 174, 177; D8/353,
D8/350; 363/15, 34, 146; 439/93, 105, 106,
439/535, 620.15, 620.21, 620.3, 620.31,
439/907, 908, 919, 650, 651, 652, 653, 654,
439/655, 692; 174/494, 53, 55, 59, 66; 320/111,
320/114, 115; 307/150, 151
See application file for complete search history.

(56) **References Cited**

U.S. PATENT DOCUMENTS

| | | |
|-------------|---------|---------|
| 1,714,763 A | 5/1929 | Boyson |
| 1,749,623 A | 3/1930 | Zinman |
| D88,337 S | 11/1932 | Massey |
| 2,030,115 A | 2/1936 | Muldoon |
| 2,224,547 A | 12/1940 | Ludwig |
| D148,105 S | 12/1947 | Gossard |
| D155,149 S | 9/1949 | Gossard |
| 2,507,092 A | 5/1950 | Cline |
| D159,196 S | 7/1950 | Englar |
| D179,343 S | 12/1956 | Gombar |
| D185,163 S | 5/1959 | Miller |

| | | |
|-------------|---------|----------------------|
| 2,977,564 A | 3/1961 | Civitelli et al. |
| 3,008,115 A | 11/1961 | Oakes |
| 3,160,947 A | 12/1964 | Sunderlin |
| 3,431,535 A | 3/1969 | Munyon |
| D241,649 S | 9/1976 | Andersen, Jr. et al. |
| D242,464 S | 11/1976 | Acosta |
| 4,042,292 A | 8/1977 | Chensky |
| 4,210,377 A | 7/1980 | La Voque |
| 4,307,924 A | 12/1981 | Gibbs |
| D270,628 S | 9/1983 | Bobrovniczky |
| D294,018 S | 2/1988 | Poliak |
| 4,778,400 A | 10/1988 | Jacobs |
| D301,462 S | 6/1989 | Drew |

(Continued)

Primary Examiner — Angela J Lee

(74) *Attorney, Agent, or Firm* — John K. Buche; Buche & Associates, P.C.

(57) **CLAIM**

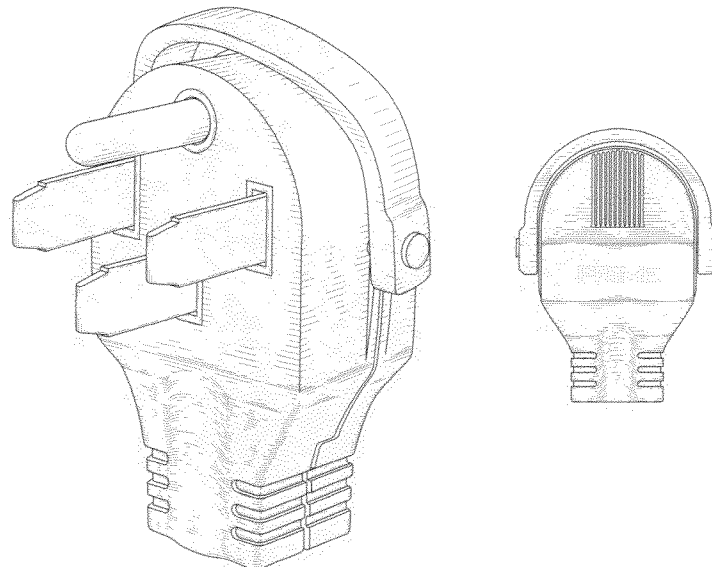
The ornamental design for plug with a pull ring, as shown and described.

DESCRIPTION

FIG. 1 is a perspective view of a plug with a pull ring.
FIG. 2 is a front view of the plug with a pull ring of FIG. 1.
FIG. 3 is a back view of the plug with a pull ring of FIG. 1.
FIG. 4 is a top view of the plug with a pull ring of FIG. 1.
FIG. 5 is a bottom view of the plug with a pull ring of FIG. 1.
FIG. 6 is a left side view of the plug with a pull ring of FIG. 1; and,
FIG. 7 is a right side view of the plug with a pull ring of FIG. 1.

In the figures, trademarks are shown in dashed lines and do not form part of the claimed design. Also, portions of the plug with a pull ring shown in broken lines form no part of the claimed design.

1 Claim, 3 Drawing Sheets



US D660,235 S

Page 2

U.S. PATENT DOCUMENTS

| | | | | | | | |
|--------------|---------|----------------------|-----------|-----------------|---------|--------------------|-----------|
| D348,431 S | 7/1994 | Hoffman et al. | | D485,239 S | 1/2004 | Whalin et al. | |
| D349,276 S | 8/1994 | Hoffman et al. | | D492,254 S | 6/2004 | Nakashima et al. | |
| D355,162 S | 2/1995 | Karman | | D511,748 S | 11/2005 | Caine | |
| 5,409,397 A | 4/1995 | Karman | | 6,986,665 B2 | 1/2006 | Schauz et al. | |
| D360,401 S | 7/1995 | Chen | | 7,052,309 B1 | 5/2006 | Chen | |
| 5,551,882 A | 9/1996 | Whiteman, Jr. et al. | | 7,063,558 B1 | 6/2006 | Chen | |
| 5,567,181 A | 10/1996 | Lentz et al. | | D537,410 S * | 2/2007 | Yuen | D13/110 |
| D375,291 S | 11/1996 | Cheung | | 7,179,105 B1 | 2/2007 | Hung | |
| D375,720 S | 11/1996 | Cheung | | D549,650 S | 8/2007 | Russell et al. | |
| 5,591,043 A | 1/1997 | Kenney | | D549,651 S | 8/2007 | Mancari et al. | |
| D379,964 S * | 6/1997 | Maddock et al. | D13/138.1 | 7,255,568 B1 | 8/2007 | Wu | |
| 5,679,014 A | 10/1997 | Lan-Jen | | D553,570 S * | 10/2007 | Peck | D13/138.2 |
| 5,752,850 A | 5/1998 | Ziegler | | D559,184 S | 1/2008 | Russell et al. | |
| D401,556 S * | 11/1998 | Stekelenburg | D13/138.2 | D562,766 S * | 2/2008 | Yang | D13/110 |
| D404,984 S | 2/1999 | Skinner | | D564,964 S | 3/2008 | Caine et al. | |
| D405,759 S | 2/1999 | Carmo et al. | | D576,552 S | 9/2008 | Caine et al. | |
| D409,567 S | 5/1999 | Carmo et al. | | D586,296 S * | 2/2009 | Liu | D13/138.2 |
| D413,570 S | 9/1999 | Intveld | | D592,139 S * | 5/2009 | Wu | D13/138.2 |
| D421,960 S * | 3/2000 | Savicki et al. | D13/138.2 | D592,141 S | 5/2009 | Mancari et al. | |
| 6,071,142 A | 6/2000 | Blackman | | D594,417 S | 6/2009 | Ho'o et al. | |
| D430,848 S | 9/2000 | Davi et al. | | D602,434 S | 10/2009 | Mancari et al. | |
| D431,027 S | 9/2000 | Armstrong | | D613,248 S | 4/2010 | Wu | |
| D445,090 S | 7/2001 | Payne et al. | | D635,515 S * | 4/2011 | Atwell et al. | D13/138.2 |
| D467,545 S * | 12/2002 | Wang | D13/138.1 | D638,359 S * | 5/2011 | Atwell et al. | D13/138.2 |
| D474,744 S | 5/2003 | Wu | | 2007/0032109 A1 | 2/2007 | Hung | |
| D483,723 S | 12/2003 | Adachi et al. | | | | | |

* cited by examiner

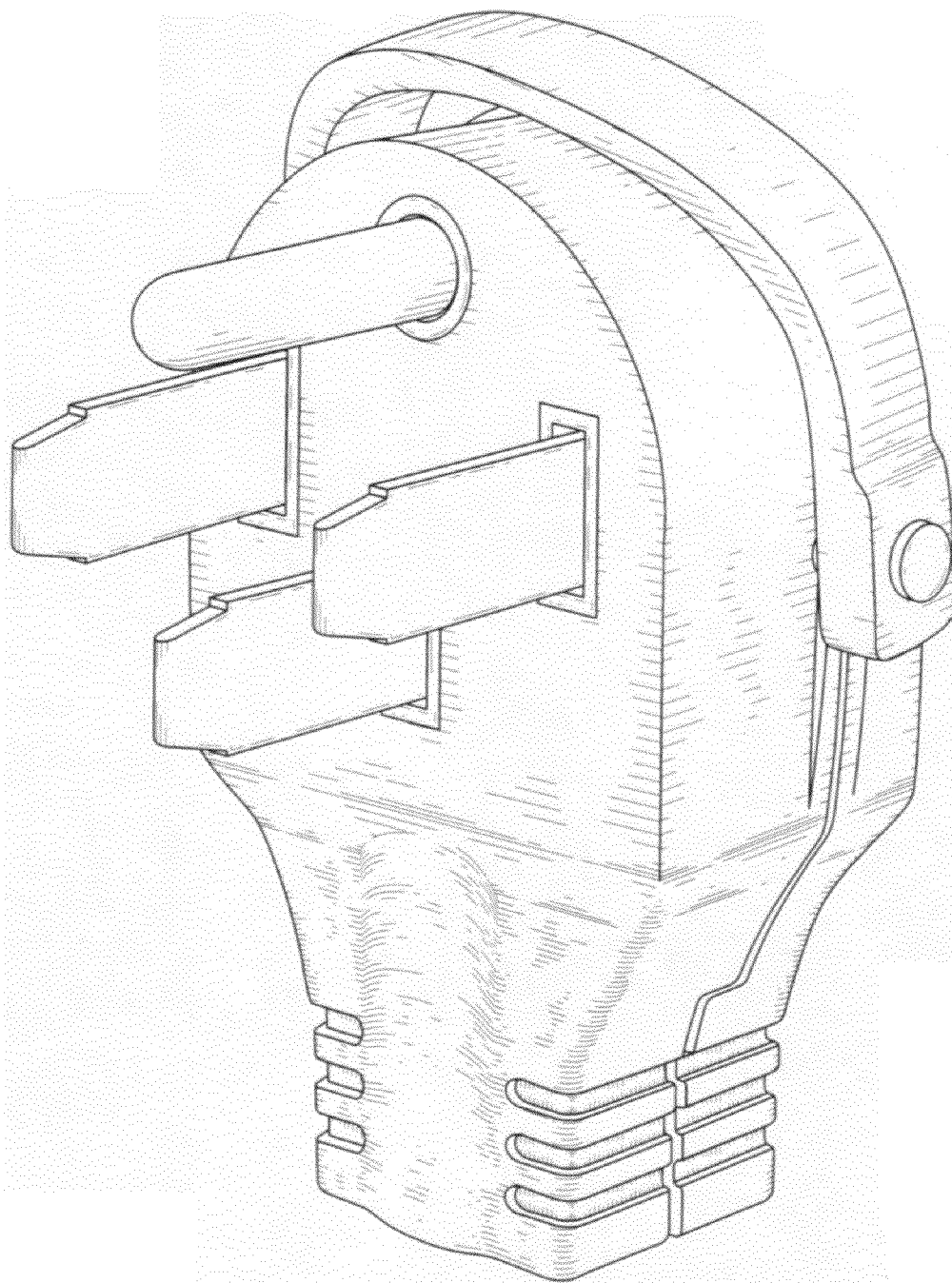


FIG. 1

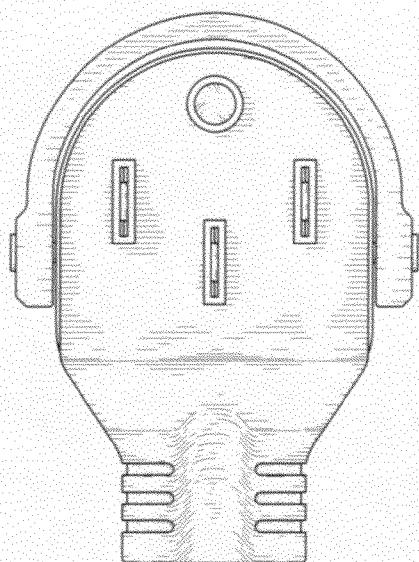


FIG. 2

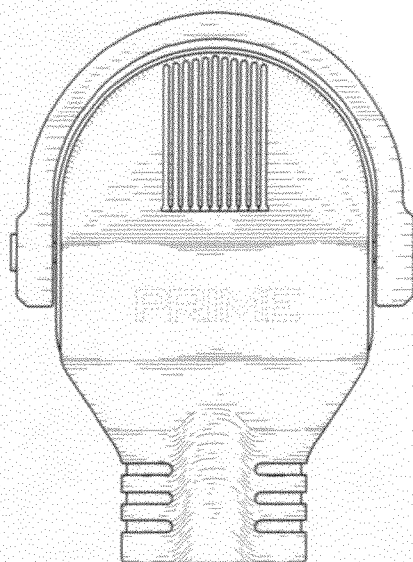


FIG. 3

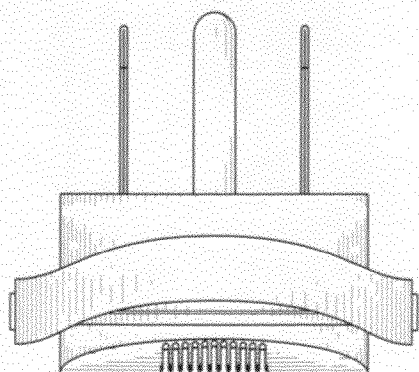


FIG. 4

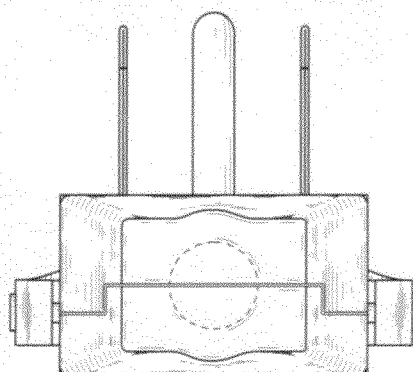


FIG. 5

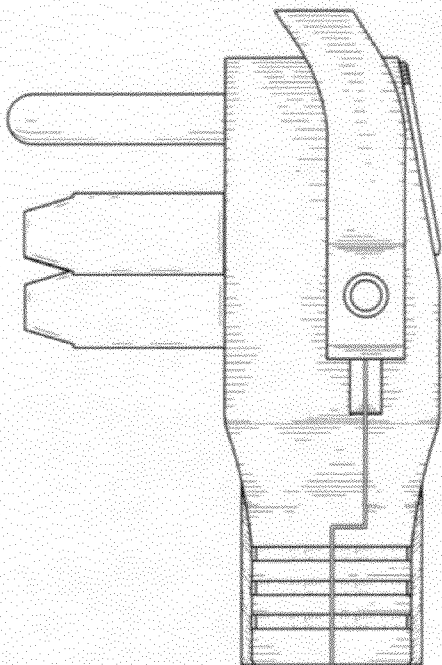


FIG. 6

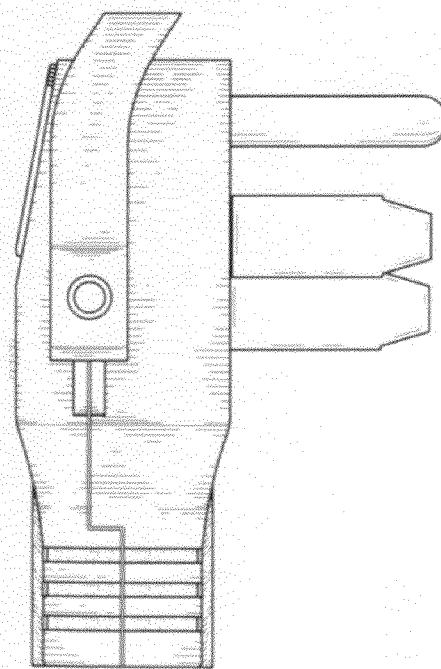


FIG. 7