



US00D660236S

(12) **United States Design Patent**  
**Liang-Hsu et al.**

(10) **Patent No.:** **US D660,236 S**

(45) **Date of Patent:** **\*\* \*May 22, 2012**

(54) **SOCKET WITH A PULL RING**

(76) Inventors: **Kuo Liang-Hsu**, New Taipei (TW);  
**Susan James**, Pomona, CA (US); **Zheng Wei**, Dongguan (CN)

(\* ) Notice: This patent is subject to a terminal disclaimer.

(\*\*) Term: **14 Years**

(21) Appl. No.: **29/391,331**

(22) Filed: **May 6, 2011**

(51) **LOC (9) Cl.** ..... **13-03**

(52) **U.S. Cl.** ..... **D13/139.1**

(58) **Field of Classification Search** ..... D13/138.1,  
D13/138.2, 139.1–139.8, 137.1–137.4, 133,  
D13/107, 108, 110, 146, 147, 154, 174, 177;  
D8/353, 350; 363/15, 34, 146; 439/93, 105,  
439/106, 535, 620.15, 620.21, 620.3, 620.31,  
439/907, 908, 919, 650, 651, 652, 653, 654,  
439/655, 692; 174/494, 53, 55, 59, 66; 320/114,  
320/115, 111; 307/150, 151  
See application file for complete search history.

(56) **References Cited**

**U.S. PATENT DOCUMENTS**

1,714,763 A	5/1929	Boyson
1,749,623 A	3/1930	Zinman
D88,337 S	11/1932	Massey
2,030,115 A	2/1936	Muldoon
2,224,547 A	12/1940	Ludwig
D148,105 S	12/1947	Gossard
D155,149 S	9/1949	Gossard
2,507,092 A	5/1950	Cline
D159,196 S	7/1950	Englar
D179,343 S	12/1956	Gombar
D185,163 S	5/1959	Miller

2,977,564 A	3/1961	Civitelli et al.
3,008,115 A	11/1961	Oakes
3,160,947 A	12/1964	Sunderlin
3,431,935 A	3/1969	Munyon
D241,649 S	9/1976	Anderson, Jr.
D242,464 S	11/1976	Acosta
4,042,292 A	8/1977	Chensky
4,210,377 A	7/1980	La Voque
4,307,924 A	12/1981	Gibbs
D270,628 S	9/1983	Bobrovniczky
D294,018 S	2/1988	Poliak
4,778,400 A	10/1988	Jacobs
D301,462 S	6/1989	Drew

(Continued)

*Primary Examiner* — Angela J Lee

(74) *Attorney, Agent, or Firm* — John K. Buche; Buche & Associates, P.C.

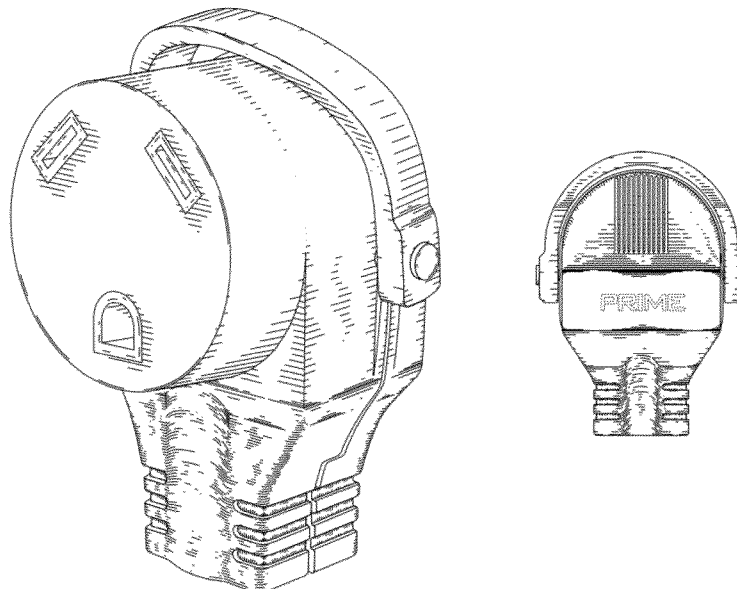
(57) **CLAIM**

The ornamental design for socket with a pull ring, as shown and described.

**DESCRIPTION**

FIG. 1 is a perspective view of a socket with a pull ring.  
 FIG. 2 is a front view of the socket with a pull ring of FIG. 1.  
 FIG. 3 is a back view of the socket with a pull ring of FIG. 1.  
 FIG. 4 is a top view of the socket with a pull ring of FIG. 1.  
 FIG. 5 is a bottom view of the socket with a pull ring of FIG. 1.  
 FIG. 6 is a left side view of the socket with a pull ring of FIG. 1; and,  
 FIG. 7 is a right side view of the socket with a pull ring of FIG. 1.  
 In the figures, trademarks are shown in dashed lines and do not form part of the claimed design. Also, portions of the socket with a pull ring shown in broken lines form no part of the claimed design.

**1 Claim, 3 Drawing Sheets**



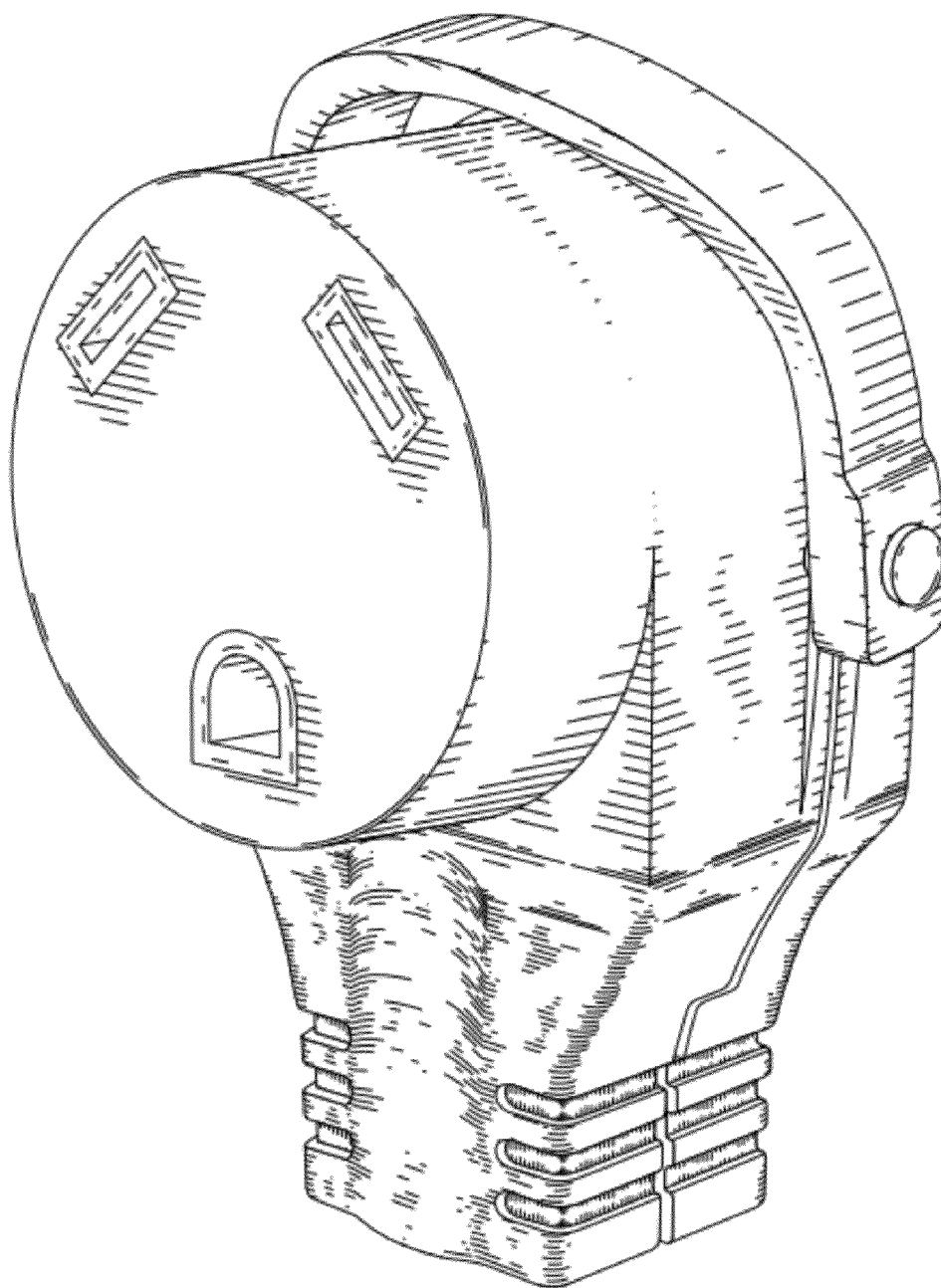
# US D660,236 S

Page 2

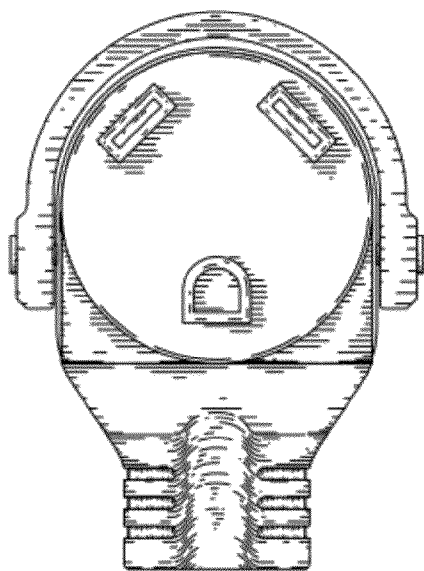
## U.S. PATENT DOCUMENTS

D348,431 S	7/1994	Hoffman et al.		D485,239 S	1/2004	Whalin et al.	
D349,276 S	8/1994	Hoffman et al.		D492,254 S	6/2004	Nakashima et al.	
D355,162 S	2/1995	Karman		D511,748 S	11/2005	Caine	
5,409,397 A	4/1995	Karman		6,986,665 B2	1/2006	Schauz et al.	
D360,401 S	7/1995	Chen		7,052,309 B1	5/2006	Chen	
5,551,882 A	9/1996	Whiteman, Jr. et al.		7,063,558 B1	6/2006	Chen	
5,567,181 A	10/1996	Lentz et al.		D537,410 S *	2/2007	Yuen .....	D13/110
D375,291 S	11/1996	Cheung		7,179,105 B1	2/2007	Hung	
D375,720 S	11/1996	Cheung		D549,650 S	8/2007	Russell et al.	
5,591,043 A	1/1997	Kenney		D549,651 S	8/2007	Mancari et al.	
D379,964 S *	6/1997	Maddock et al. ....	D13/138.1	7,255,568 B1	8/2007	Wu	
5,679,014 A	10/1997	Lan-Jen		D553,570 S *	10/2007	Peck .....	D13/138.2
5,752,850 A	5/1998	Ziegler		D559,184 S	1/2008	Russell et al.	
D401,556 S *	11/1998	Stekelenburg .....	D13/138.2	D562,766 S *	2/2008	Yang .....	D13/110
D404,984 S	2/1999	Skinner		D564,964 S	3/2008	Caine et al.	
D405,759 S	2/1999	Carmo et al.		D576,552 S	9/2008	Caine et al.	
D409,567 S	5/1999	Carmo et al.		D586,296 S *	2/2009	Liu .....	D13/138.2
D413,570 S	9/1999	Intveld		D592,139 S *	5/2009	Wu .....	D13/138.2
D421,960 S *	3/2000	Savicki et al. ....	D13/138.2	D592,141 S	5/2009	Mancari et al.	
6,071,142 A	6/2000	Blackman		D594,417 S	6/2009	Ho'o et al.	
D430,848 S	9/2000	Davi et al.		D602,434 S	10/2009	Mancari et al.	
D431,027 S	9/2000	Armstrong		D613,248 S	4/2010	Wu	
D445,090 S	7/2001	Payne et al.		D635,515 S *	4/2011	Atwell et al. ....	D13/138.2
D467,545 S *	12/2002	Wang .....	D13/138.1	D638,359 S *	5/2011	Atwell et al. ....	D13/138.2
D474,744 S	5/2003	Wu		2007/0032109 A1	2/2007	Hung	
D483,723 S	12/2003	Adachi et al.					

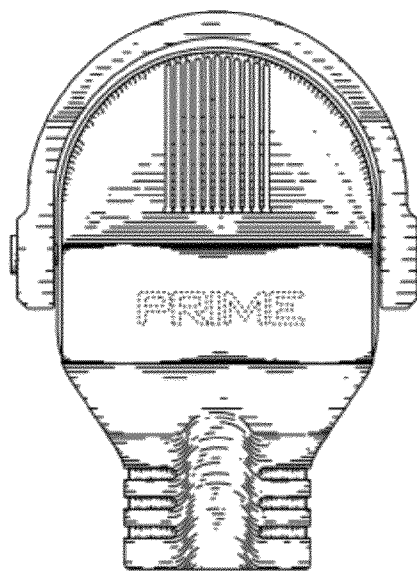
\* cited by examiner



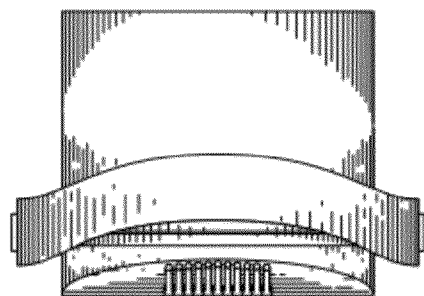
**FIG. 1**



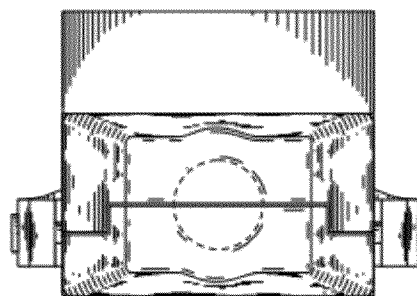
**FIG. 2**



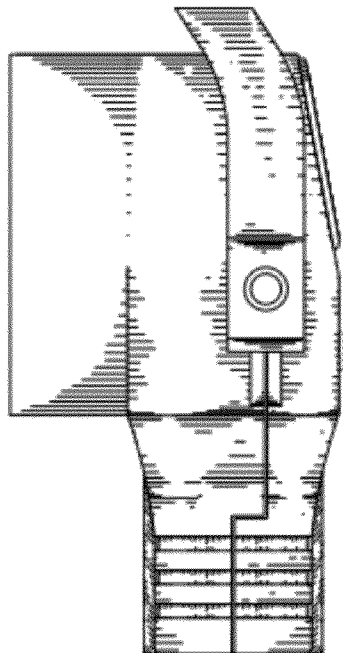
**FIG. 3**



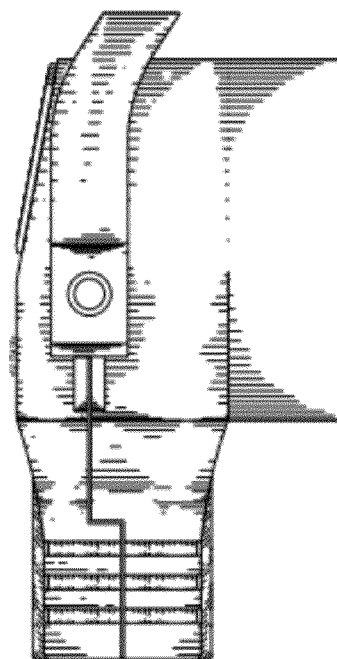
**FIG. 4**



**FIG. 5**



**FIG. 6**



**FIG. 7**