



US00D665227S

(12) **United States Design Patent**  
**Cason**

(10) **Patent No.:** **US D665,227 S**

(45) **Date of Patent:** **\*\* Aug. 14, 2012**

(54) **WATER BOTTLE**

*Primary Examiner* — Marianne Pandozzi

(76) Inventor: **William Cason**, San Diego, CA (US)

(74) *Attorney, Agent, or Firm* — John K. Buche; Buche & Associates, P.C.

(\*\*) Term: **14 Years**

(57) **CLAIM**

(21) Appl. No.: **29/396,269**

The ornamental design for a water bottle, as shown and described.

(22) Filed: **Jun. 28, 2011**

**DESCRIPTION**

(51) **LOC (9) Cl.** ..... **07-01**

(52) **U.S. Cl.** ..... **D7/515; D7/510; D7/511; D7/606**

(58) **Field of Classification Search** ..... **D7/523,**  
**D7/514, 515, 300.1, 608, 606, 510, 511;**  
**D9/649, 674; 220/703, 603**

See application file for complete search history.

FIG. 1 is a perspective view of a water bottle showing my new design;

FIG. 2 is a front view of the water bottle of FIG. 1.

FIG. 3 is a back view of the water bottle of FIG. 1.

FIG. 4 is a left side view of the water bottle of FIG. 1.

FIG. 5 is a right side view of the water bottle of FIG. 1.

FIG. 6 is a top view of the water bottle of FIG. 1.

FIG. 7 is a bottom view of the water bottle of FIG. 1.

FIG. 8 is an environmental perspective view thereof;

FIG. 9 is a perspective view of a water bottle showing a second embodiment of our new design;

FIG. 10 is a front view of the water bottle of FIG. 9.

FIG. 11 is a back view of the water bottle of FIG. 9.

FIG. 12 is a left side view of the water bottle of FIG. 9.

FIG. 13 is a right side view of the water bottle of FIG. 9.

FIG. 14 is a top view of the water bottle of FIG. 9; and,

FIG. 15 is a bottom view of the water bottle of FIG. 9.

Grips around the midsection of the bottle of FIG. 9 through 15 are drawn in broken lines and do not form any part of the claimed design.

The broken lines in the drawings are included for the purpose of illustration and form no part of the claimed design.

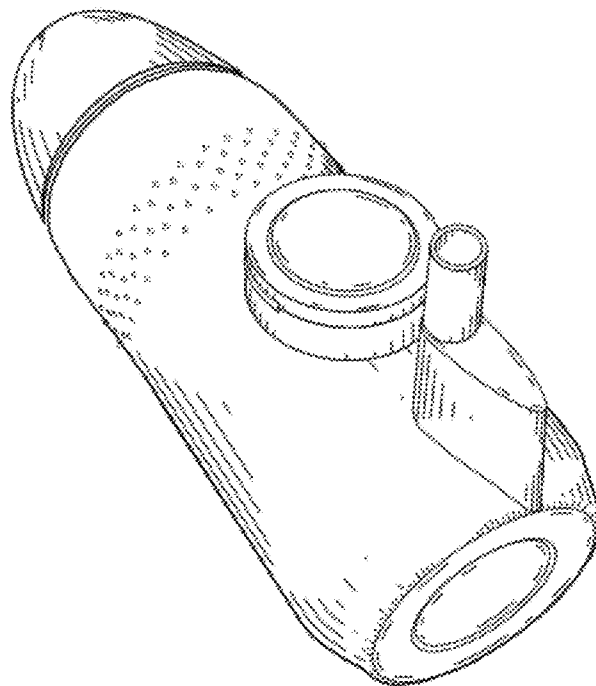
(56) **References Cited**

U.S. PATENT DOCUMENTS

330,142	A	*	11/1885	McCarty	.....	48/198.1
D48,788	S	*	3/1916	Jenks	.....	D7/608
D125,633	S	*	3/1941	Chapman	.....	D7/300.1
D223,562	S	*	5/1972	Madeira	.....	D9/674
D293,891	S	*	1/1988	Molvik et al.	.....	D19/51
D318,394	S	*	7/1991	Larimer	.....	D7/300.1
D359,886	S	*	7/1995	Plessas et al.	.....	D7/606
D414,369	S	*	9/1999	Miller	.....	D7/300.1
D500,952	S	*	1/2005	Moore	.....	D9/600
D518,727	S	*	4/2006	Haley et al.	.....	D9/504
D533,032	S	*	12/2006	Liu et al.	.....	D7/608
D538,111	S	*	3/2007	Liu et al.	.....	D7/608
D580,708	S	*	11/2008	George	.....	D7/510
D615,818	S	*	5/2010	Jansen	.....	D7/515
D630,037	S	*	1/2011	Kauer	.....	D7/300.1
D639,280	S	*	6/2011	Hayes	.....	D14/223

\* cited by examiner

**1 Claim, 5 Drawing Sheets**



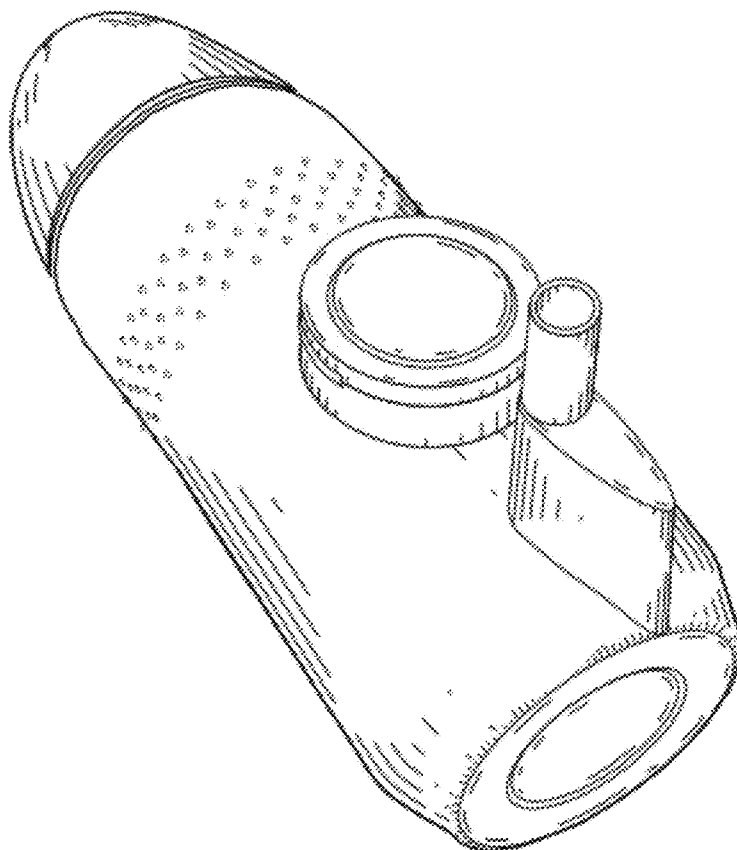


FIG. 1

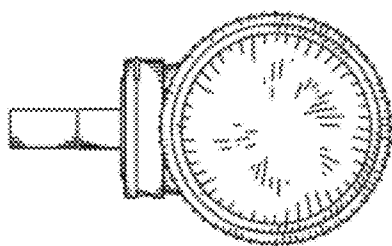


FIG. 2

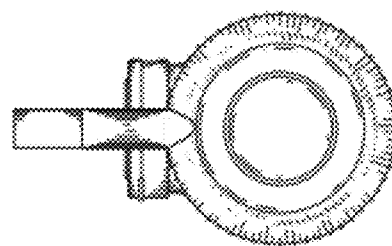


FIG. 3

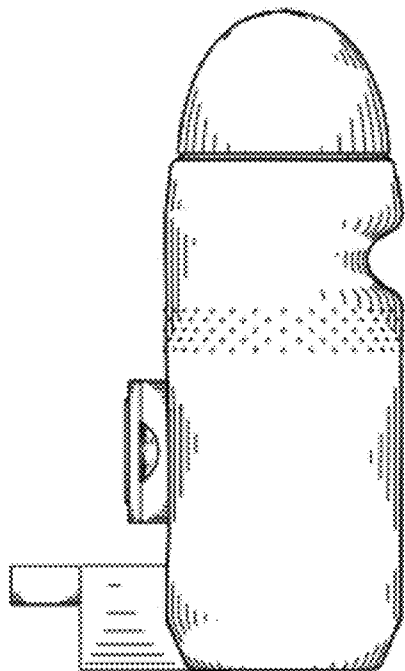


FIG. 4

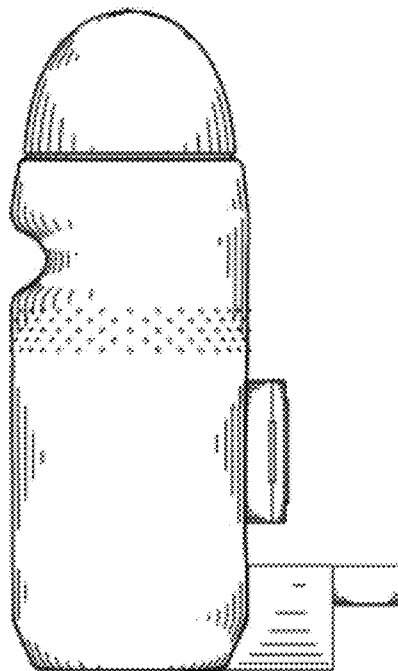


FIG. 5

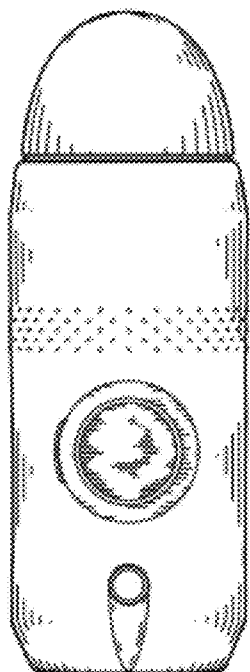


FIG. 6

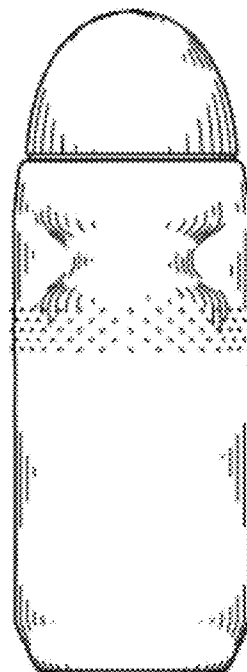


FIG. 7

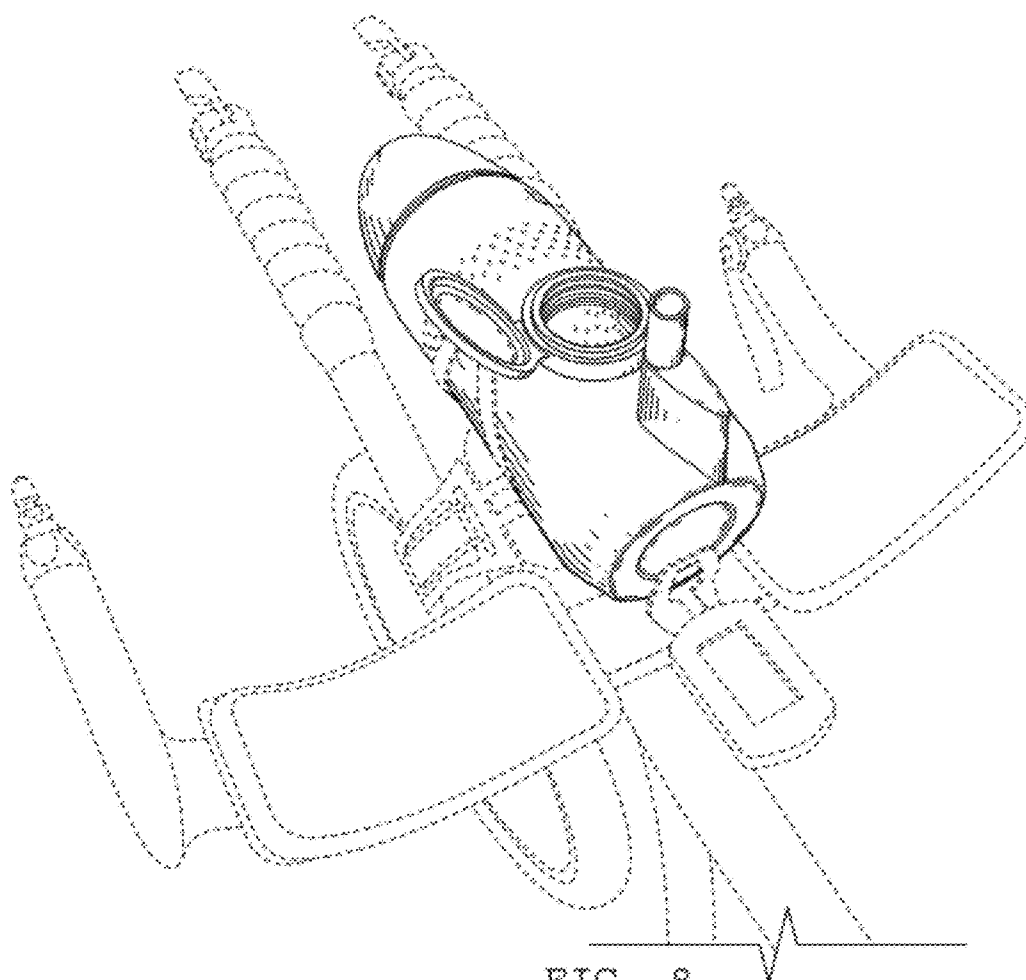


FIG. 8

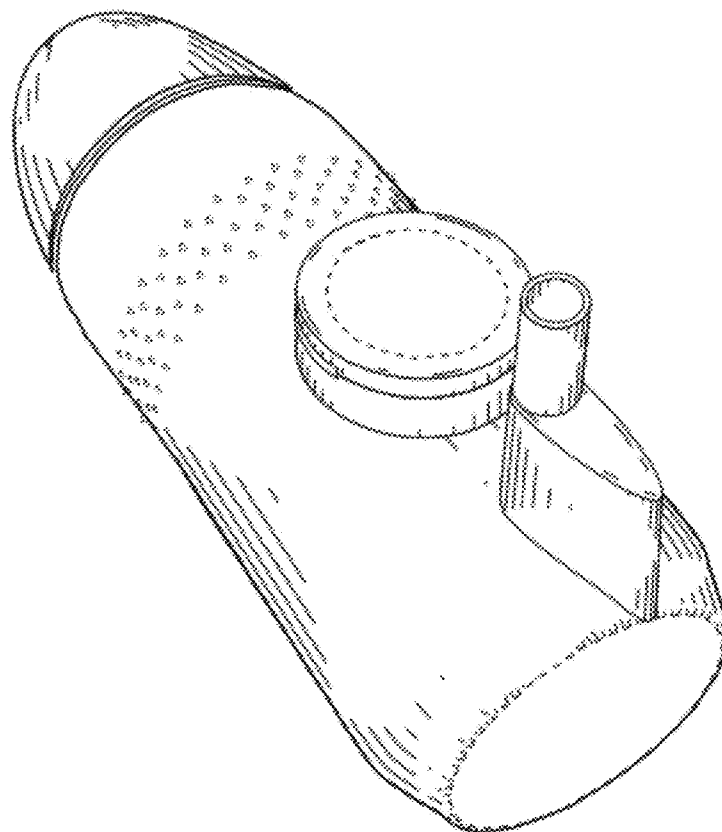


FIG. 9

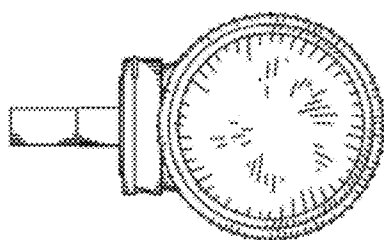


FIG. 10

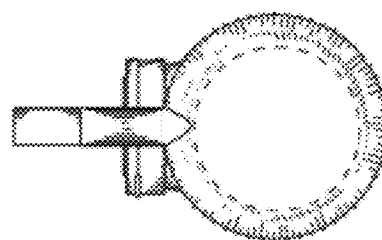


FIG. 11

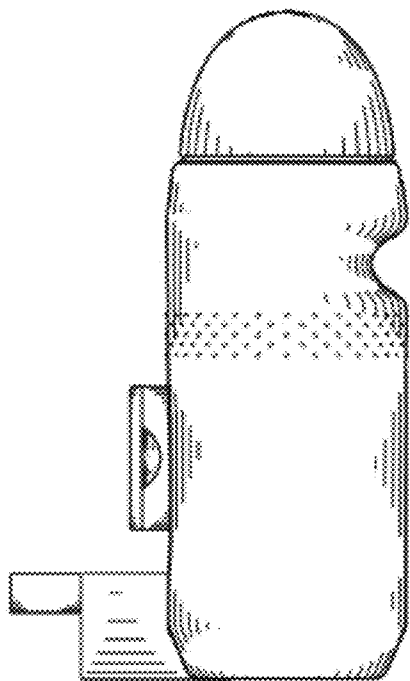


FIG. 12

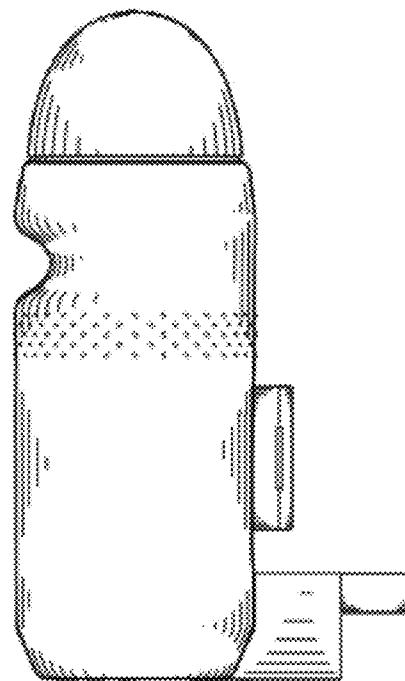


FIG. 13

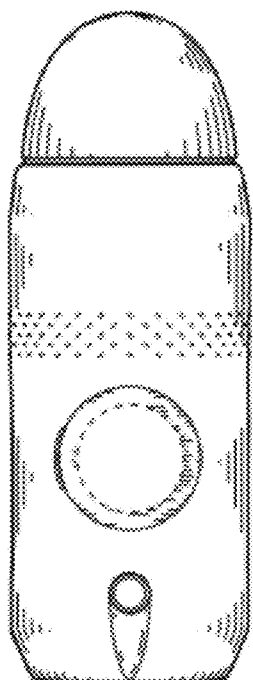


FIG. 14

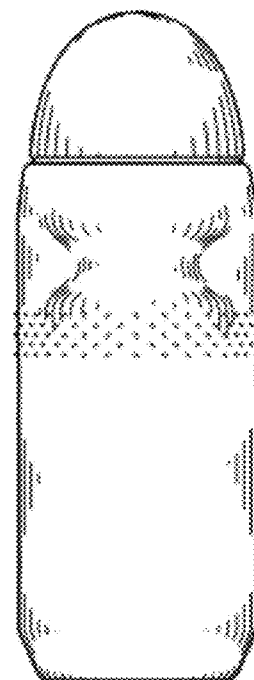


FIG. 15