



US00D665598S

(12) **United States Design Patent**
Ostovar

(10) **Patent No.:** **US D665,598 S**

(45) **Date of Patent:** **** Aug. 21, 2012**

(54) **GLOVE TREE**

(76) Inventor: **Vida Ostovar**, San Diego, CA (US)

(**) Term: **14 Years**

(21) Appl. No.: **29/403,424**

(22) Filed: **Oct. 5, 2011**

(51) **LOC (9) Cl.** **06-04**

(52) **U.S. Cl.** **D6/450**

(58) **Field of Classification Search** D20/33;
223/78, 80; 211/85.3, 133.2; D6/449, 396,
D6/416, 462-465, 466-468, 450

See application file for complete search history.

(56) **References Cited**

U.S. PATENT DOCUMENTS

D25,538	S	*	5/1896	Peabody	D20/33
1,319,579	A	*	10/1919	Gillam	223/78
1,733,680	A	*	10/1929	Turner	223/78
2,123,523	A	*	7/1938	Clyde	223/80

3,133,682	A	*	5/1964	Sawyer	223/78
3,409,142	A	*	11/1968	Mechaneck	211/85.3
D331,675	S	*	12/1992	David	D6/462

* cited by examiner

Primary Examiner — Philip S Hyder

Assistant Examiner — Sydney Buffalow

(74) *Attorney, Agent, or Firm* — John K. Buche; Buche & Associates, P.C.

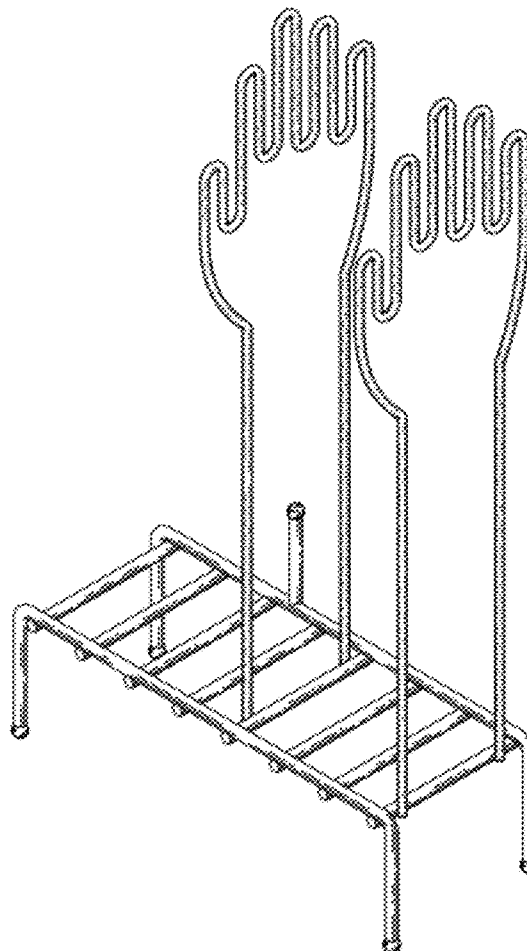
(57) **CLAIM**

The ornamental design for a glove tree, as shown and described.

DESCRIPTION

FIG. 1 is a perspective view of a glove tree.
FIG. 2 is a front view of the glove tree of FIG. 1.
FIG. 3 is a back view of the glove tree of FIG. 1.
FIG. 4 is a left side view of the glove tree of FIG. 1.
FIG. 5 is a right side view of the glove tree of FIG. 1.
FIG. 6 is a top view of the glove tree of FIG. 1; and,
FIG. 7 is a bottom view of the glove tree of FIG. 1.

1 Claim, 4 Drawing Sheets



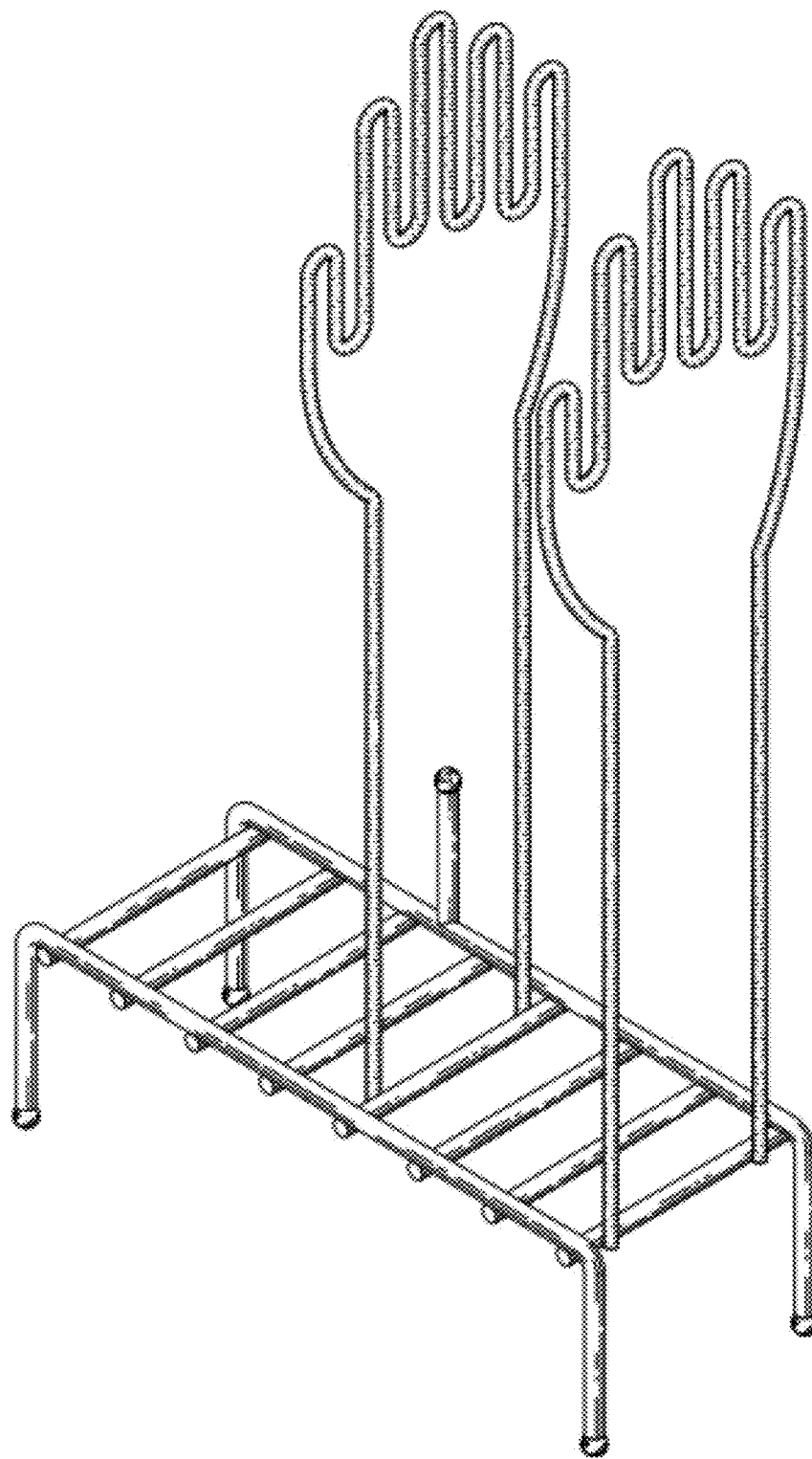


FIG. 1

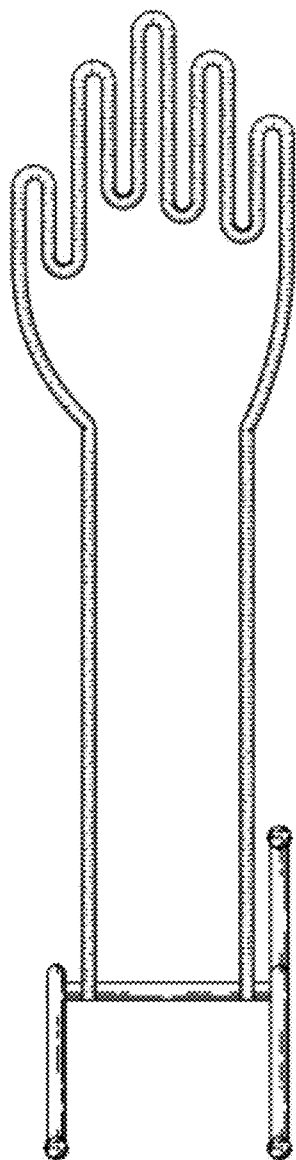


FIG. 2

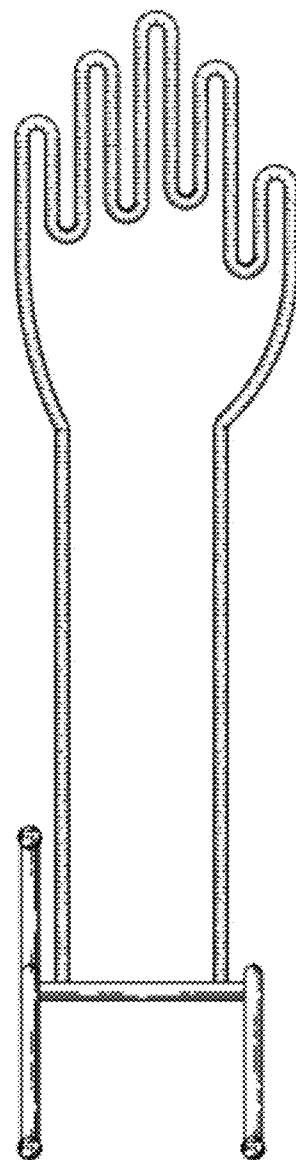


FIG. 3

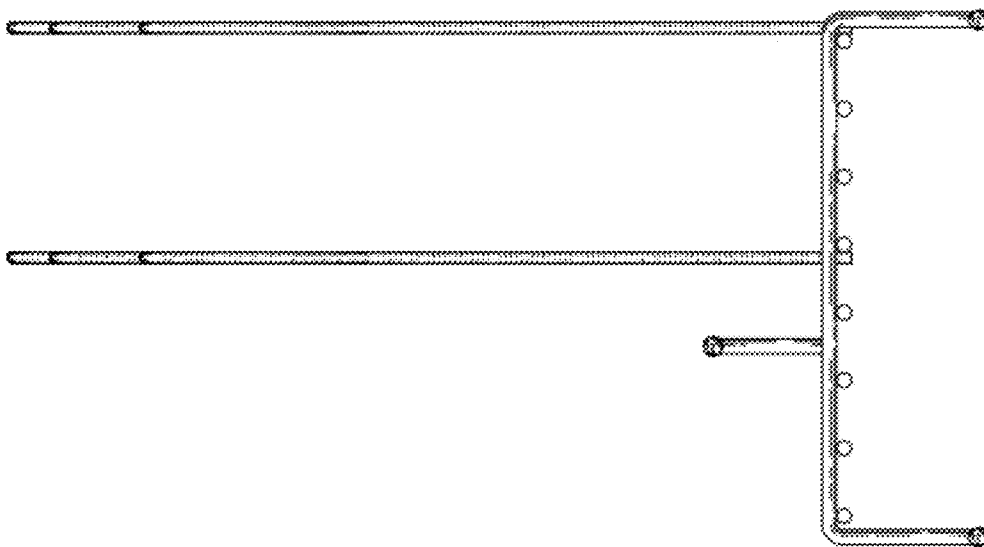


FIG. 5

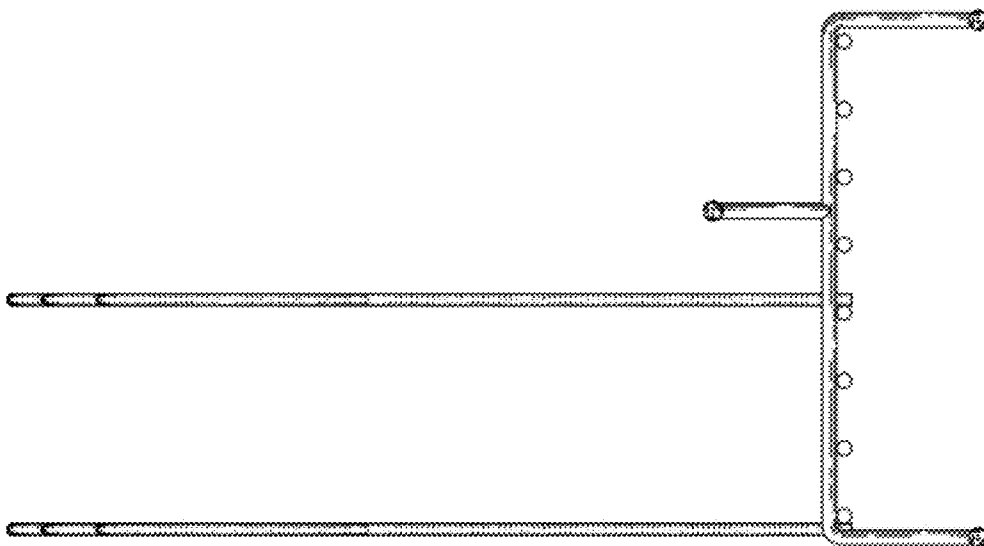


FIG. 4

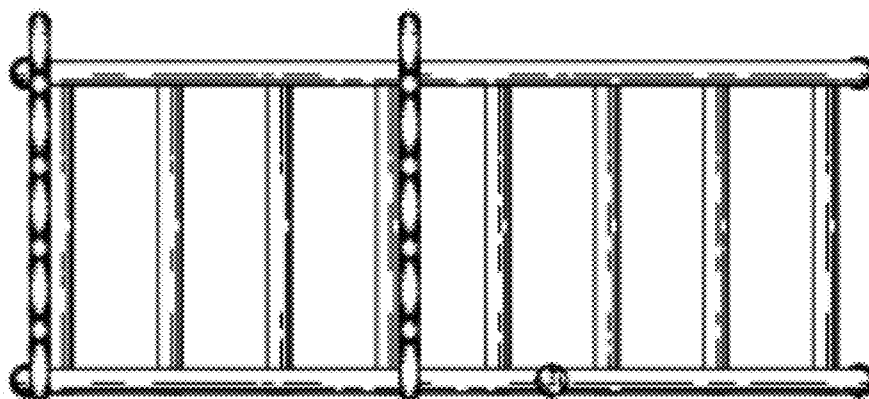


FIG. 6

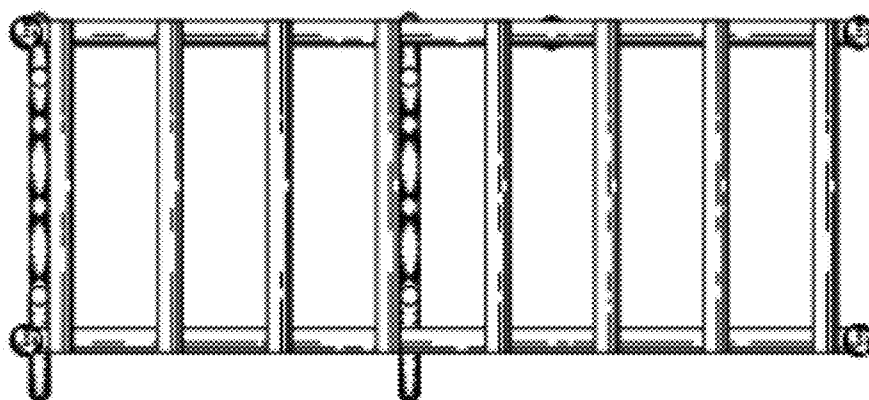


FIG. 7