



US00D671756S

(12) **United States Design Patent**
Kweton

(10) **Patent No.:** **US D671,756 S**
(45) **Date of Patent:** **** Dec. 4, 2012**

(54) **ROCKABLE CHAIR**

(76) Inventor: **Paul Kweton**, Houston, TX (US)

(**) Term: **14 Years**

(21) Appl. No.: **29/402,033**

(22) Filed: **Sep. 19, 2011**

(51) **LOC (9) Cl.** **06-01**

(52) **U.S. Cl.** **D6/348**

(58) **Field of Classification Search** D6/334-336,
D6/344, 348, 369, 370, 371-373, 374, 375,
D6/376, 379, 380, 500-502; 297/258.1,
297/271.5, 271.6, 445.1, 448.2, 452.63; D21/688
See application file for complete search history.

(56) **References Cited**

U.S. PATENT DOCUMENTS

D112,597	S	*	12/1938	Castelli	D6/348
3,950,028	A	*	4/1976	Schnepel	297/445.1
D296,628	S	*	7/1988	Glass	D6/380
D360,315	S	*	7/1995	Morin	D6/348
D383,319	S	*	9/1997	Montes de Oca	D6/348
D416,694	S	*	11/1999	Villa	D6/348
D603,614	S	*	11/2009	Caggiano	D6/348
D627,173	S	*	11/2010	Chang	D6/348

D651,427	S	*	1/2012	Cox	D6/375
8,147,002	B2	*	4/2012	Chen et al.	297/452.63
8,256,845	B2	*	9/2012	Wang	297/446.1

* cited by examiner

Primary Examiner — Mimosa De

(74) *Attorney, Agent, or Firm* — John K. Buche; Buche & Associates, P.C.

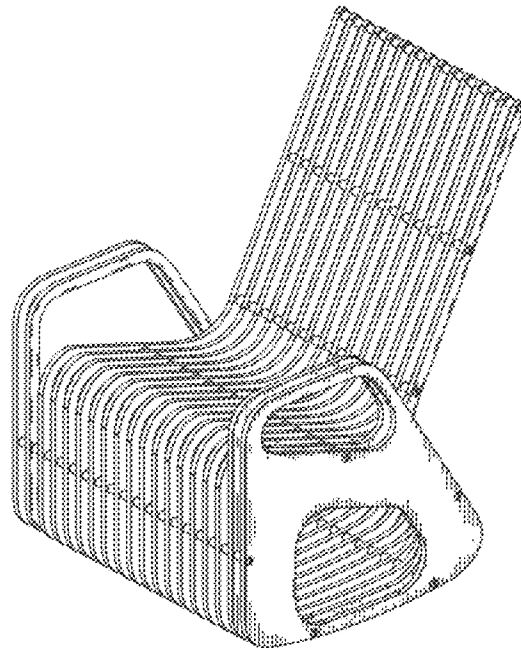
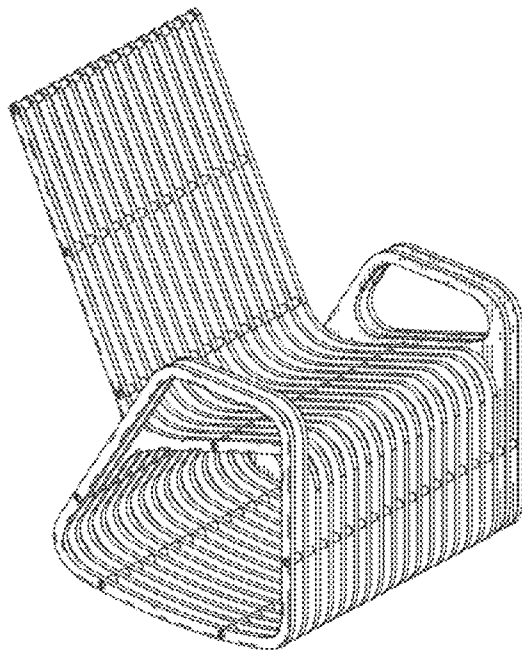
(57) **CLAIM**

The ornamental design for a rockable chair, as shown and described.

DESCRIPTION

FIG. 1 is a front left perspective view of a rockable chair showing my new design;
FIG. 2 is a front right perspective view of the same;
FIG. 3 is a right side view of the same;
FIG. 4 is a left side view of the same;
FIG. 5 is a front elevational view of the same;
FIG. 6 is a back elevational view of the same;
FIG. 7 a top view of the same;
FIG. 8 a bottom view of the same; and,
FIG. 9 is a front left perspective view of the same. The individual, pet animal and pet cushion are shown for environmental purposes only and the broken lines form no part of the claimed design.

1 Claim, 4 Drawing Sheets



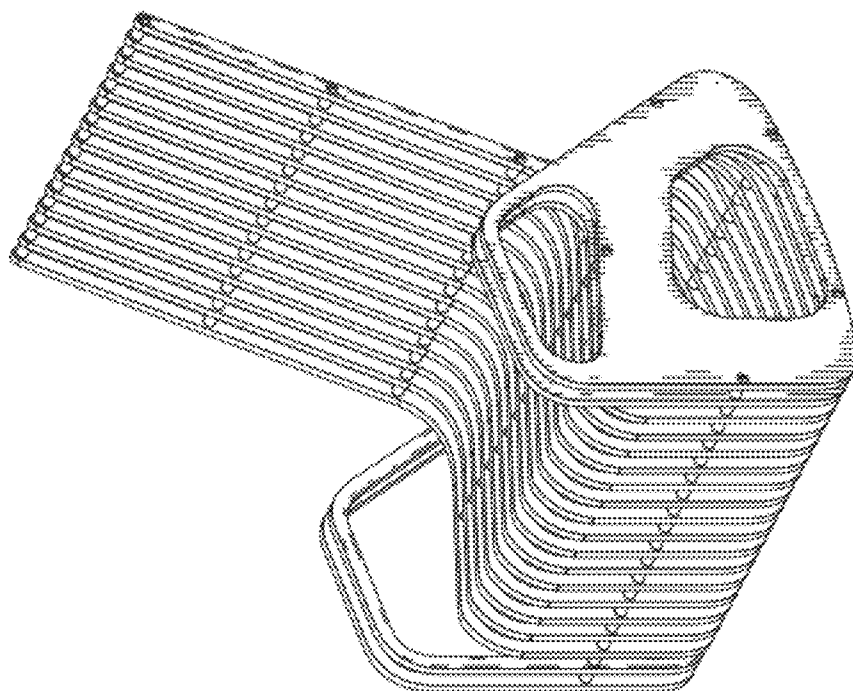


FIG. 2

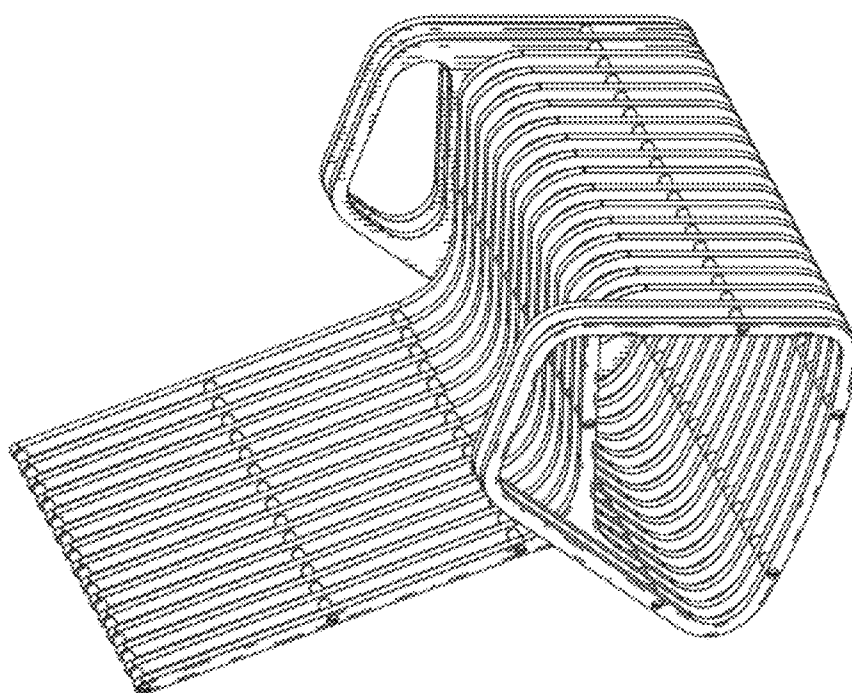


FIG. 1

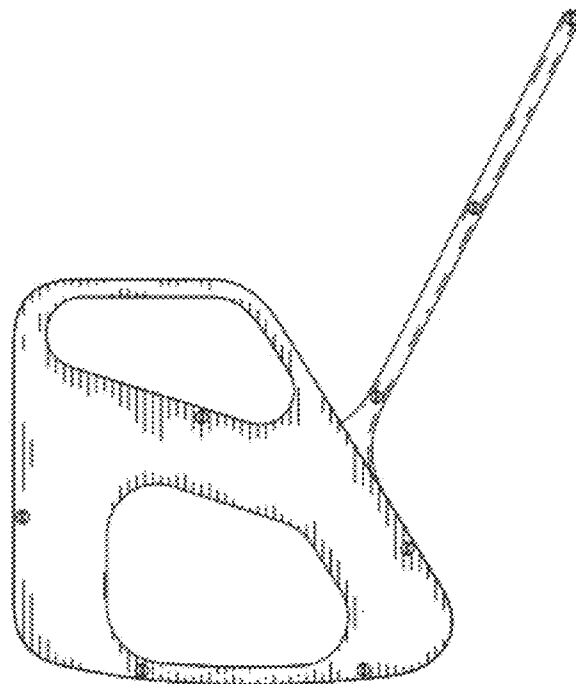


FIG. 3

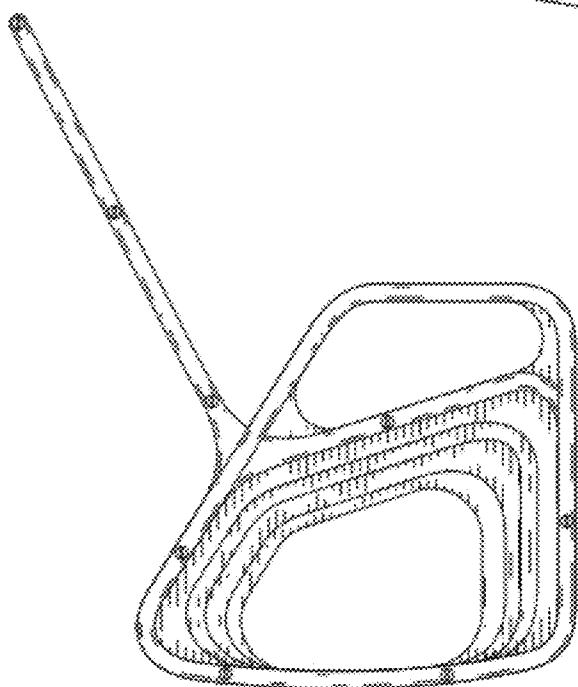


FIG. 4

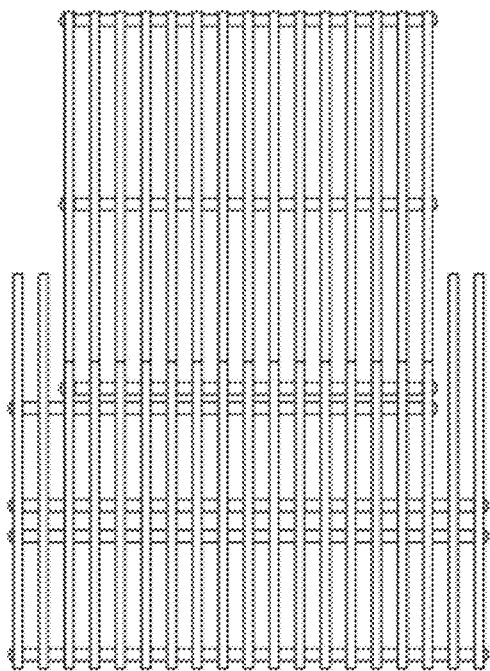


FIG. 5

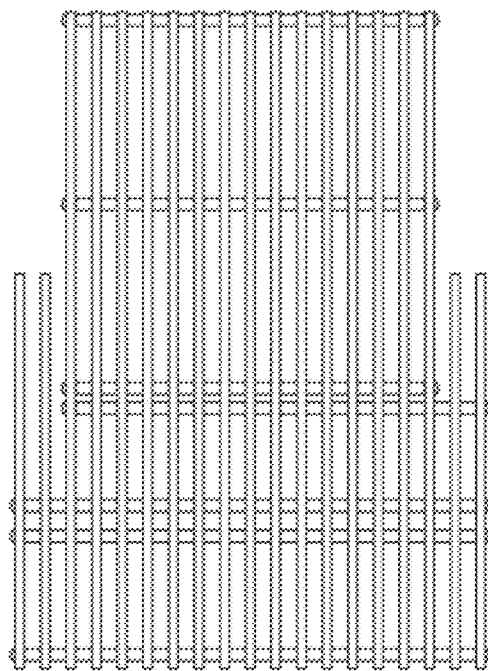


FIG. 6

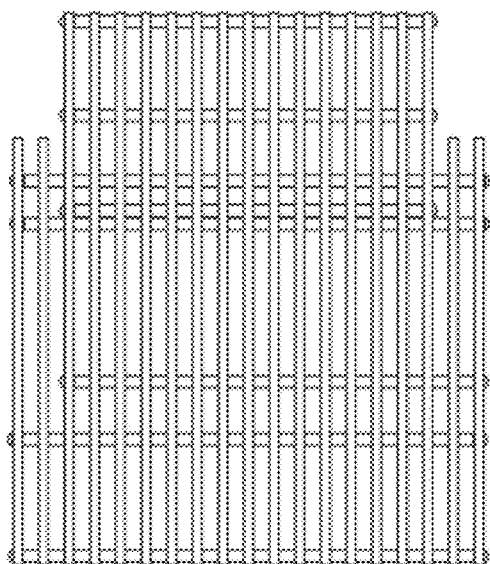


FIG. 7

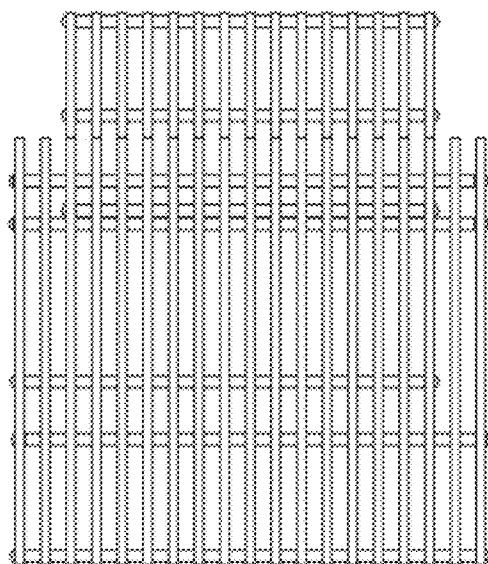


FIG. 8

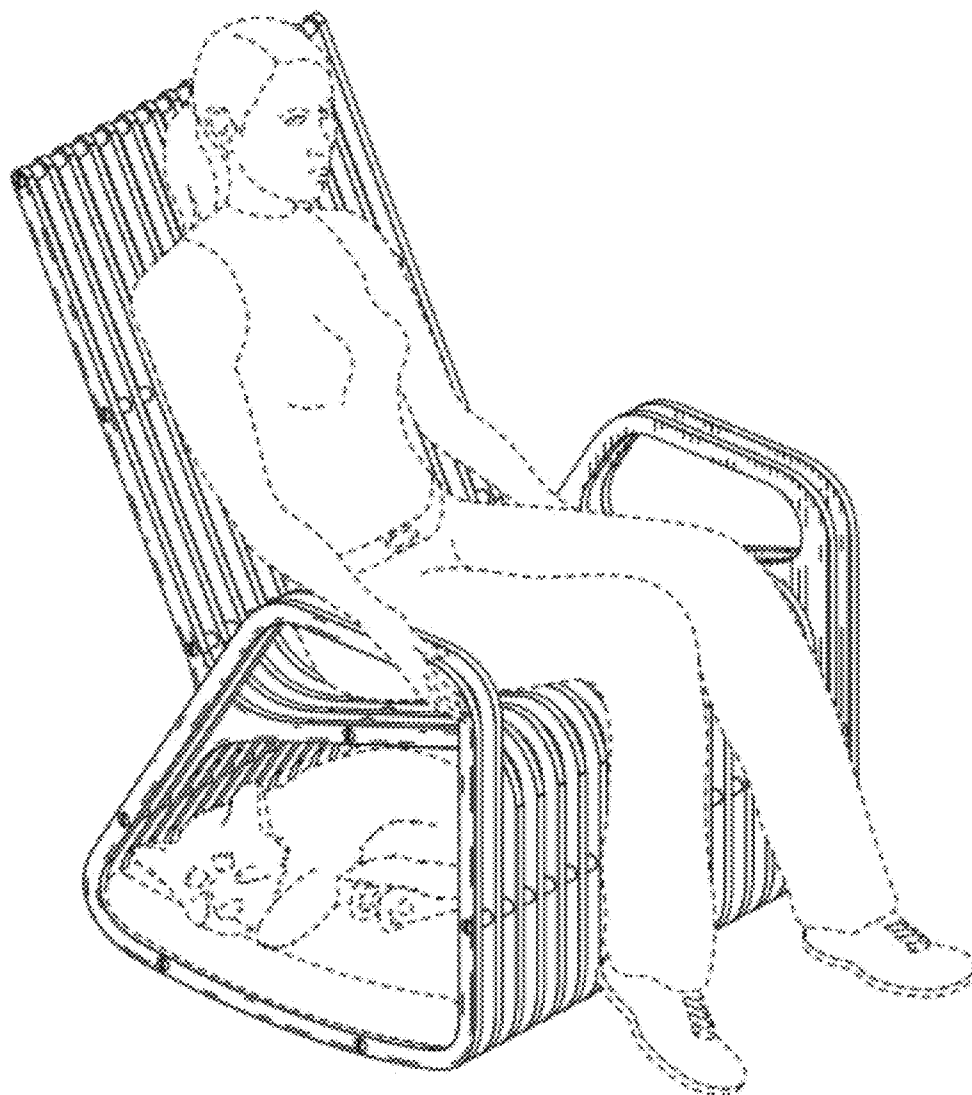


FIG. 9