



US00D959494S

(12) **United States Design Patent**
Mildh

(10) **Patent No.:** **US D959,494 S**

(45) **Date of Patent:** **** Aug. 2, 2022**

(54) **OIL CAP**

(71) Applicant: **Andre Mildh**, San Diego, CA (US)

(72) Inventor: **Andre Mildh**, San Diego, CA (US)

(**) Term: **15 Years**

(21) Appl. No.: **29/771,874**

(22) Filed: **Feb. 25, 2021**

D913,333 S * 3/2021 Mildh D15/5
2006/0016436 A1* 1/2006 Groom F02M 25/08
123/520
2013/0276742 A1* 10/2013 Mallett F01M 7/00
123/196 R

OTHER PUBLICATIONS

L7 Performance Instagram Post from Mar. 22, 2020 (Year: 2020).*
L7 Performance Instagram Post from Feb. 21, 2020 (Year: 2020).*

* cited by examiner

Primary Examiner — Ania Aman

(74) *Attorney, Agent, or Firm* — Buche & Associates,
P.C.; John K. Buche; Bryce A. Johnson

(57) **CLAIM**

I claim the ornamental design for a “oil cap”, as shown and described.

DESCRIPTION

FIG. 1 is a front view of an oil cap;
FIG. 2 is a left side view of the oil cap;
FIG. 3 is a right-side view of the oil cap;
FIG. 4 is a top view of the oil cap;
FIG. 5 is a bottom view of the oil cap;
FIG. 6 is an environmental perspective view of the oil cap shown in use; and,
FIG. 7 is an exploded view of the oil cap.
In the drawings, the broken lines depict environmental subject matter only and form no part of the claimed design.

Related U.S. Application Data

(63) Continuation-in-part of application No. 29/686,249, filed on Apr. 3, 2019, now Pat. No. Des. 913,333.

(51) **LOC (13) Cl.** **15-01**

(52) **U.S. Cl.**
USPC **D15/5**

(58) **Field of Classification Search**

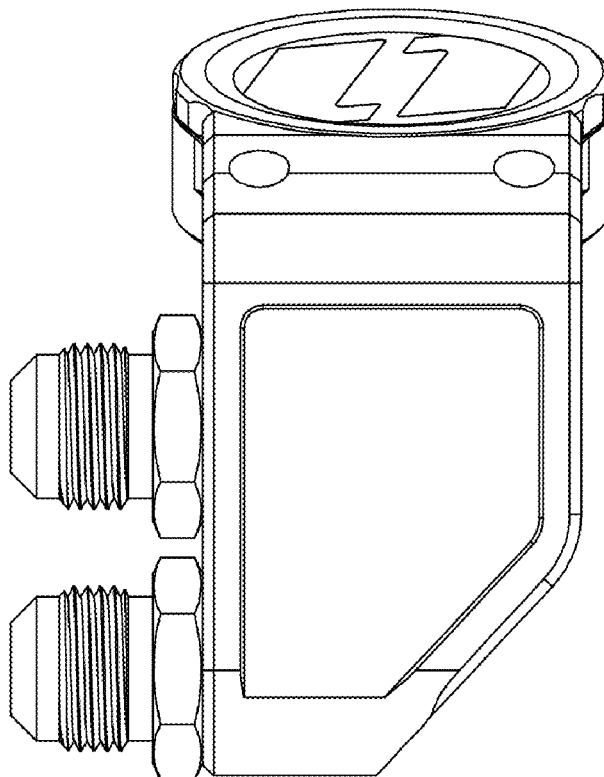
USPC D15/5; D23/259, 260, 261, 262, 263,
D23/264, 265; D9/453; D12/197
CPC ... B67D 7/565; G01F 23/56; Y10T 137/7287;
F01M 13/00; F01M 13/0011; F01M
2013/0077; F01M 2011/0491
See application file for complete search history.

References Cited

U.S. PATENT DOCUMENTS

D655,310 S * 3/2012 Tiefenthaler D15/5
9,193,260 B2 * 11/2015 Sotiriades B60K 15/0406

1 Claim, 4 Drawing Sheets



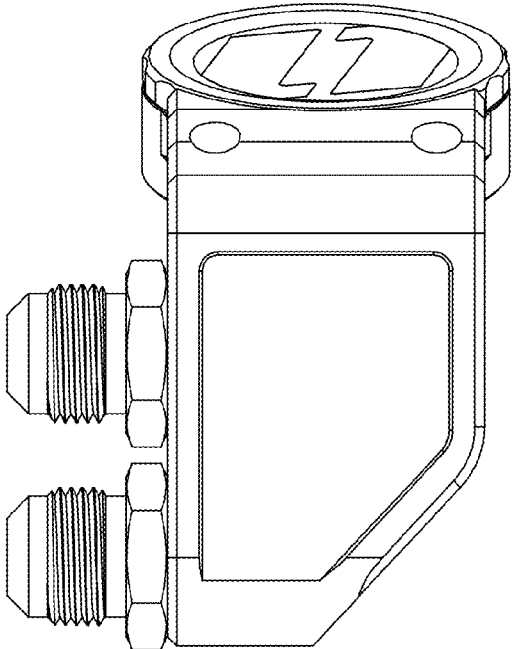


FIG. 1

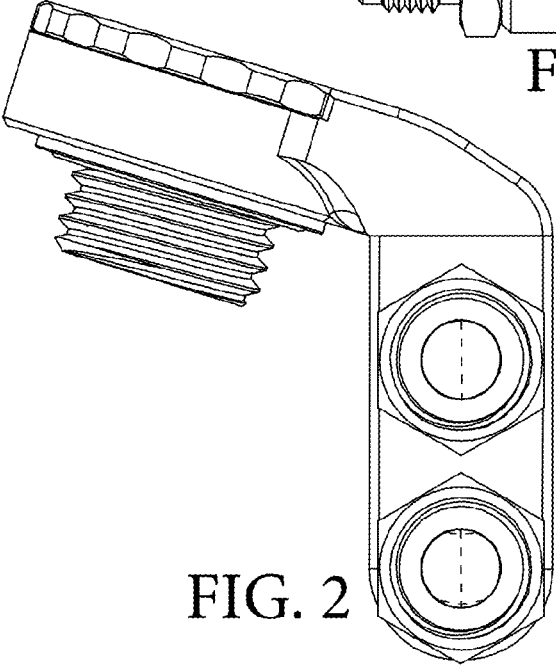


FIG. 2

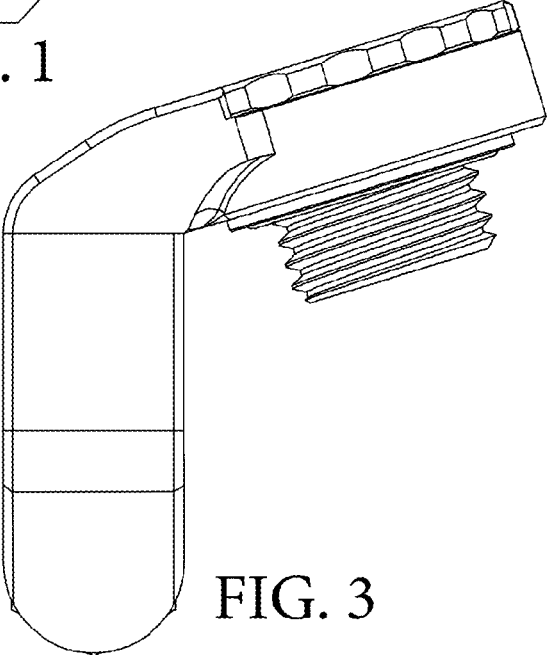


FIG. 3

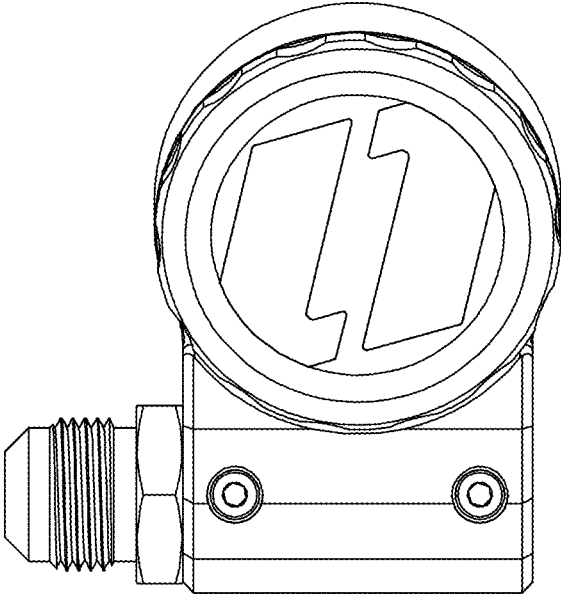


FIG. 4

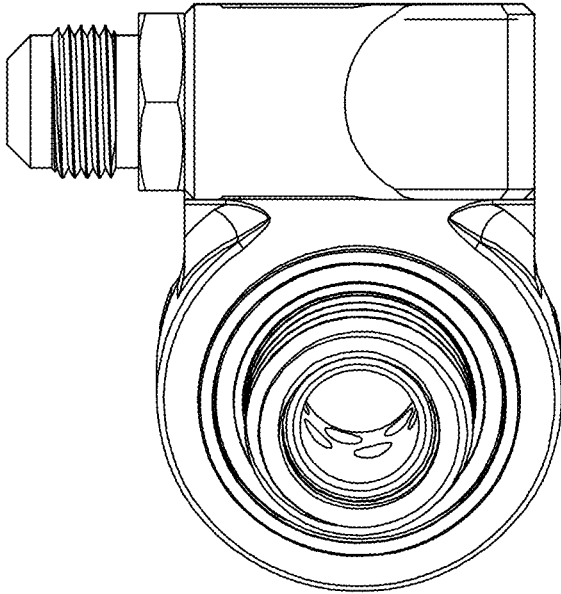


FIG. 5

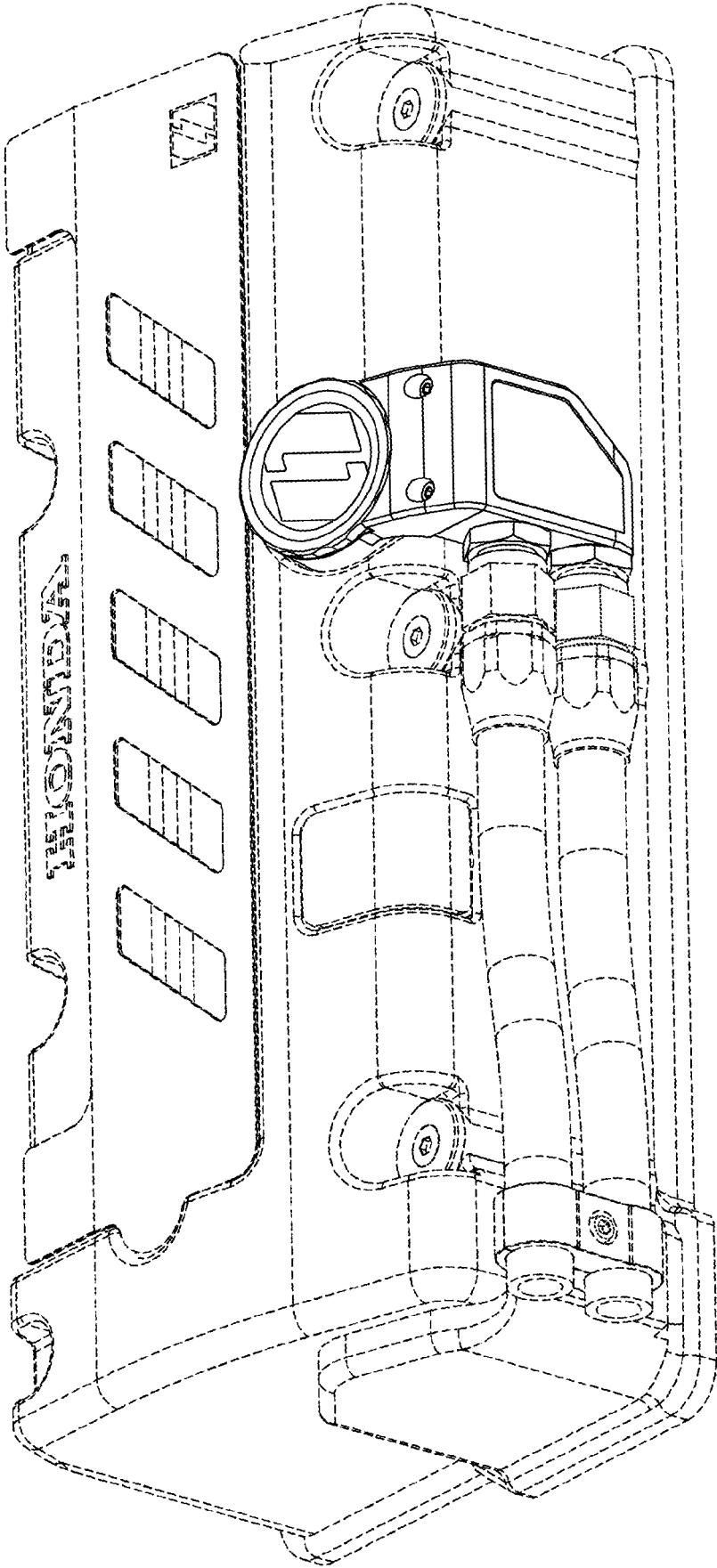


FIG. 6

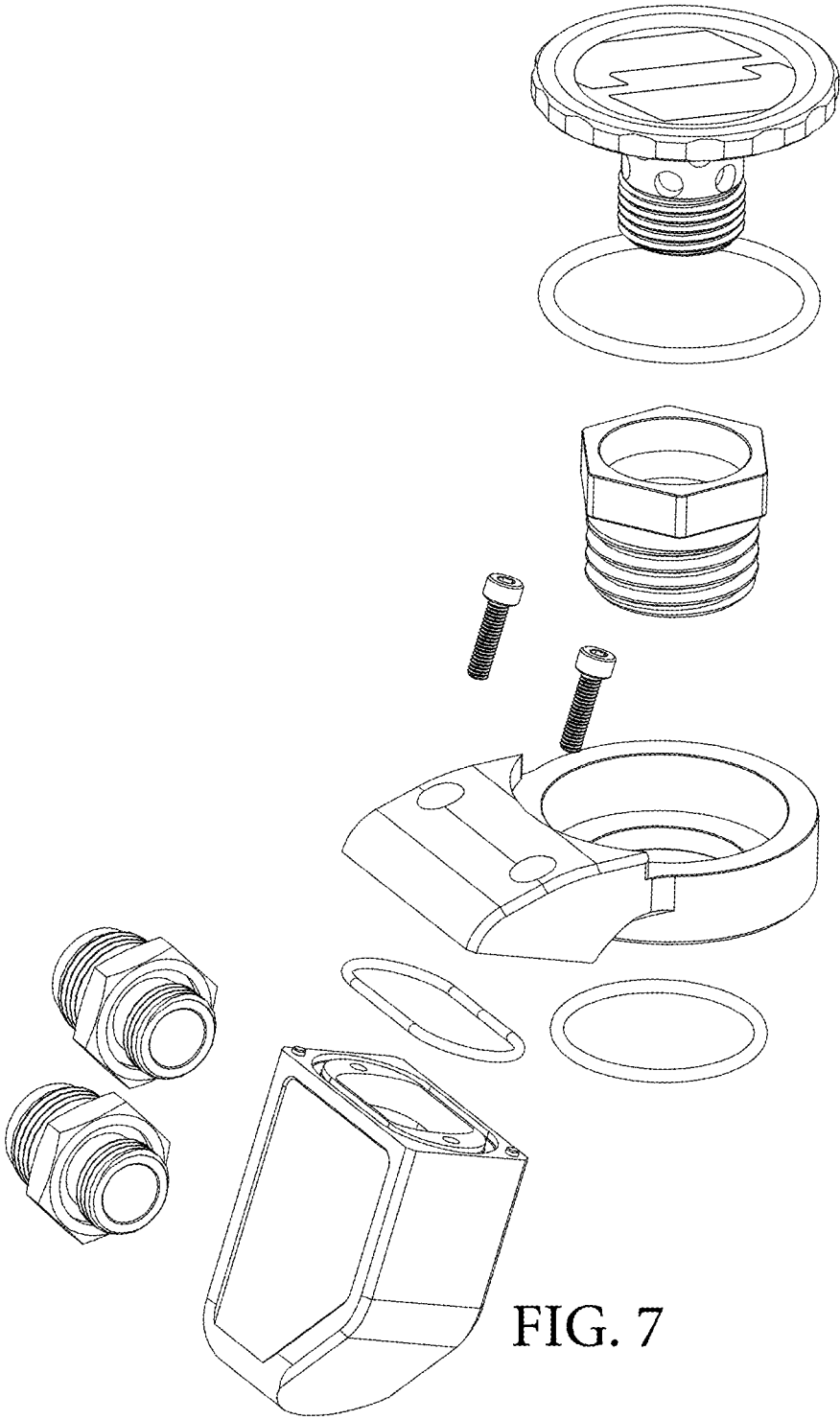


FIG. 7