



US00D963771S

(12) **United States Design Patent**  
**Frank**

(10) **Patent No.:** **US D963,771 S**

(45) **Date of Patent:** **\*\* Sep. 13, 2022**

(54) **BALL THROWER**

(71) Applicant: **Edward J. Frank**, San Diego, CA (US)

(72) Inventor: **Edward J. Frank**, San Diego, CA (US)

(\*\*) Term: **15 Years**

(21) Appl. No.: **29/706,208**

(22) Filed: **Sep. 18, 2019**

(51) **LOC (13) Cl.** ..... **21-02**

(52) **U.S. Cl.**  
USPC ..... **D21/722**

(58) **Field of Classification Search**

USPC ..... D21/722; D22/113, 114; D30/160

CPC . A63B 59/20; A63B 59/30; A63B 65/00-127;

A63B 60/00; A63B 60/46; F41B 3/00-04;

F41J 9/16; F41J 9/18; F41J 9/28; A01K

15/027

See application file for complete search history.

(56) **References Cited**

**U.S. PATENT DOCUMENTS**

1,445,371	A *	2/1923	Vickery	.....	F41J 9/20
					124/8
4,974,574	A *	12/1990	Cutlip	.....	F41B 3/00
					124/5
5,390,652	A *	2/1995	Minneman	.....	F41J 9/28
					124/5
D374,702	S *	10/1996	Parks	.....	D22/113
D554,717	S *	11/2007	McKinnell	.....	D21/722
D630,277	S *	1/2011	McKinnell	.....	D21/722
D637,248	S *	5/2011	Levin	.....	D21/722
9,392,768	B1 *	7/2016	Mullin	.....	A01K 15/02
9,545,082	B1 *	1/2017	Mullin	.....	A01K 15/021
10,220,282	B1 *	3/2019	Steinkraus	.....	A63B 65/122
D863,476	S *	10/2019	Haarburger	.....	D21/722

D898,139	S *	10/2020	Stearman	.....	D21/722
D910,140	S *	2/2021	Rick	.....	D22/114
2012/0227721	A1 *	9/2012	Geller	.....	A63B 60/10
					124/5
2015/0342146	A1 *	12/2015	Tucker	.....	A01K 15/025
					124/79

**OTHER PUBLICATIONS**

Ball thrower google search; google.com; May 3, 2022.\*

\* cited by examiner

*Primary Examiner* — Mitchell I. Siegel

(74) *Attorney, Agent, or Firm* — Buche & Associates, P.C.; John K. Buche; Bryce A. Johnson

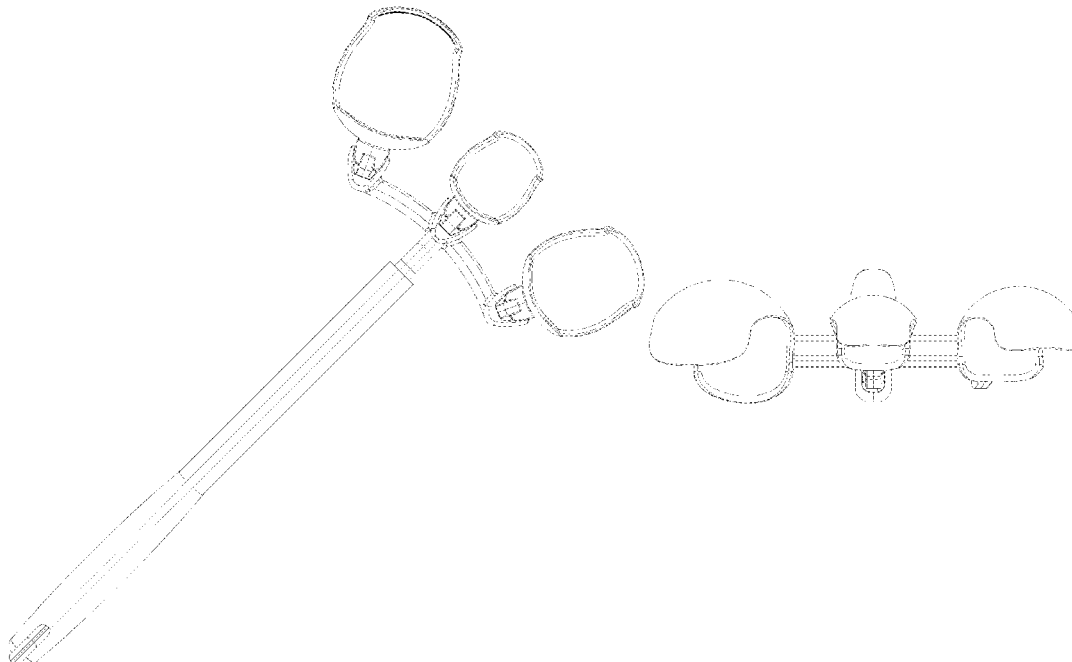
(57) **CLAIM**

I claim the ornamental design for a “ball thrower,” as shown and described.

**DESCRIPTION**

FIG. 1 is a front view of the ball thrower;  
 FIG. 2 is a back view of the ball thrower of FIG. 1;  
 FIG. 3 is a left side view of the ball thrower of FIG. 1;  
 FIG. 4 is a bottom view of the ball thrower of FIG. 1;  
 FIG. 5 is a top view of the ball thrower of FIG. 1;  
 FIG. 6 is a front view of the ball thrower in an extended configuration;  
 FIG. 7 is a back view of the ball thrower of FIG. 6;  
 FIG. 8 is a left side view of the ball thrower of FIG. 6;  
 FIG. 9 is a bottom view of the ball thrower of FIG. 6; and,  
 FIG. 10 is a top view of the ball thrower of FIG. 6.

**1 Claim, 8 Drawing Sheets**



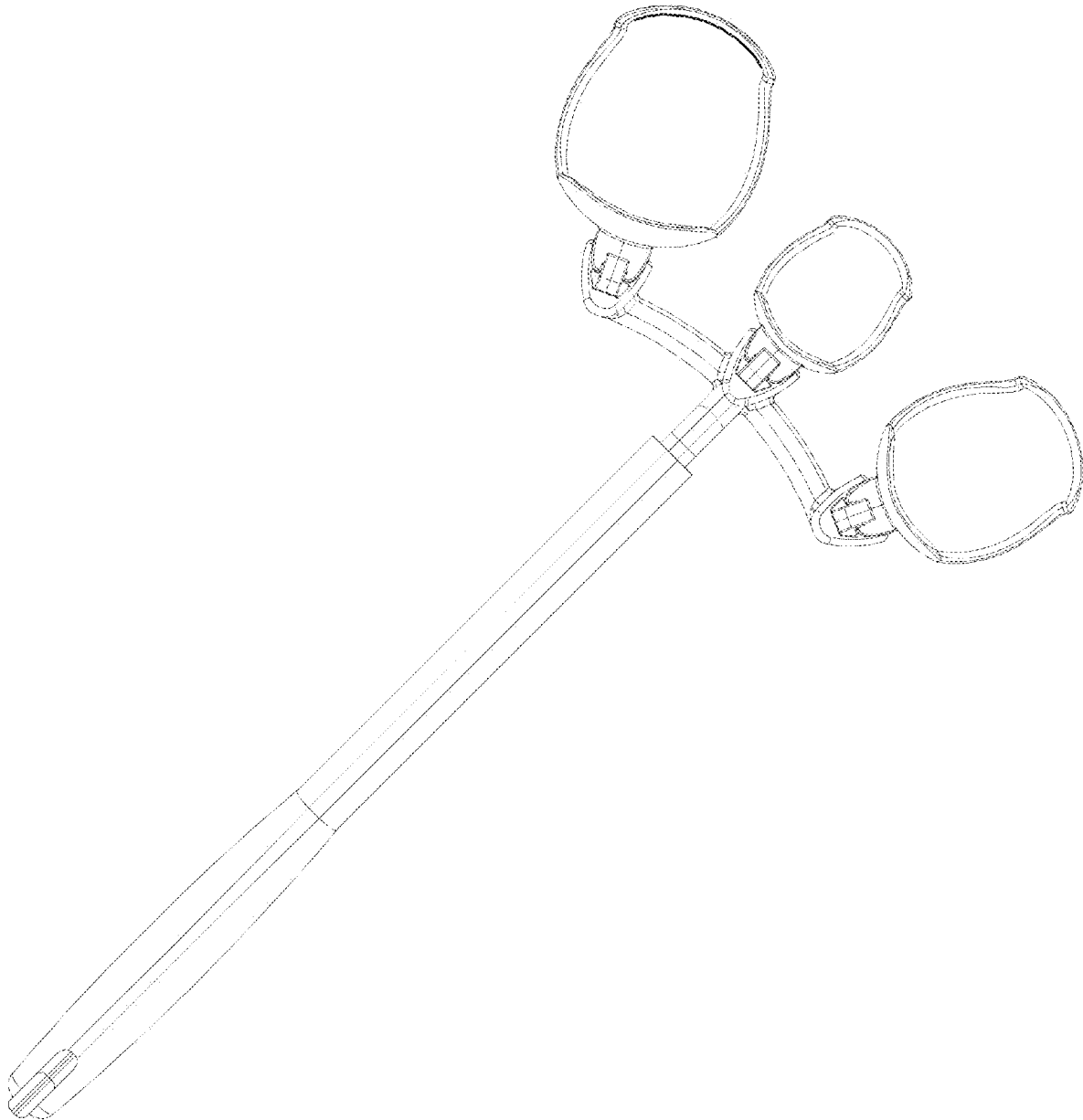


FIG. 1

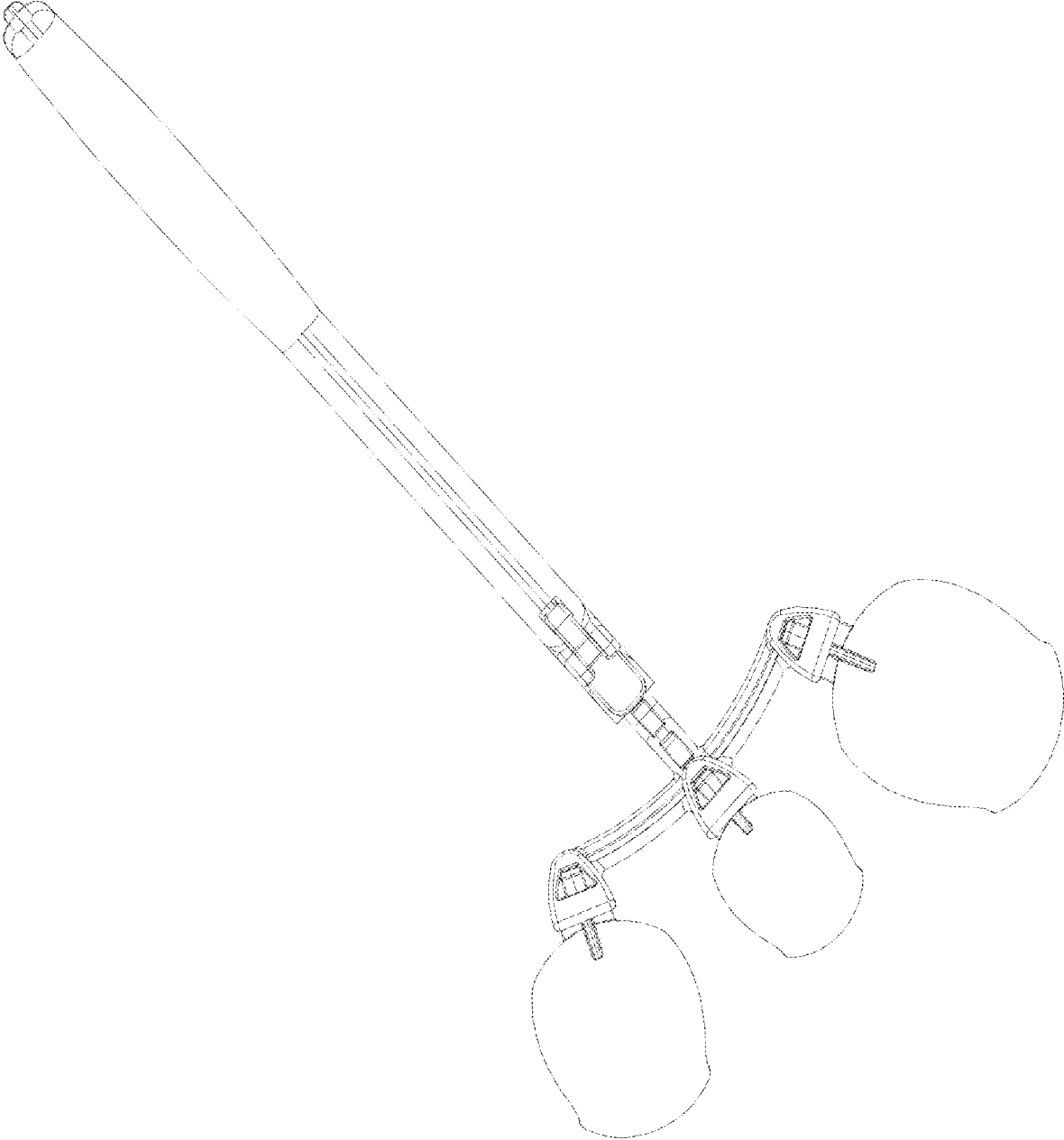


FIG. 2

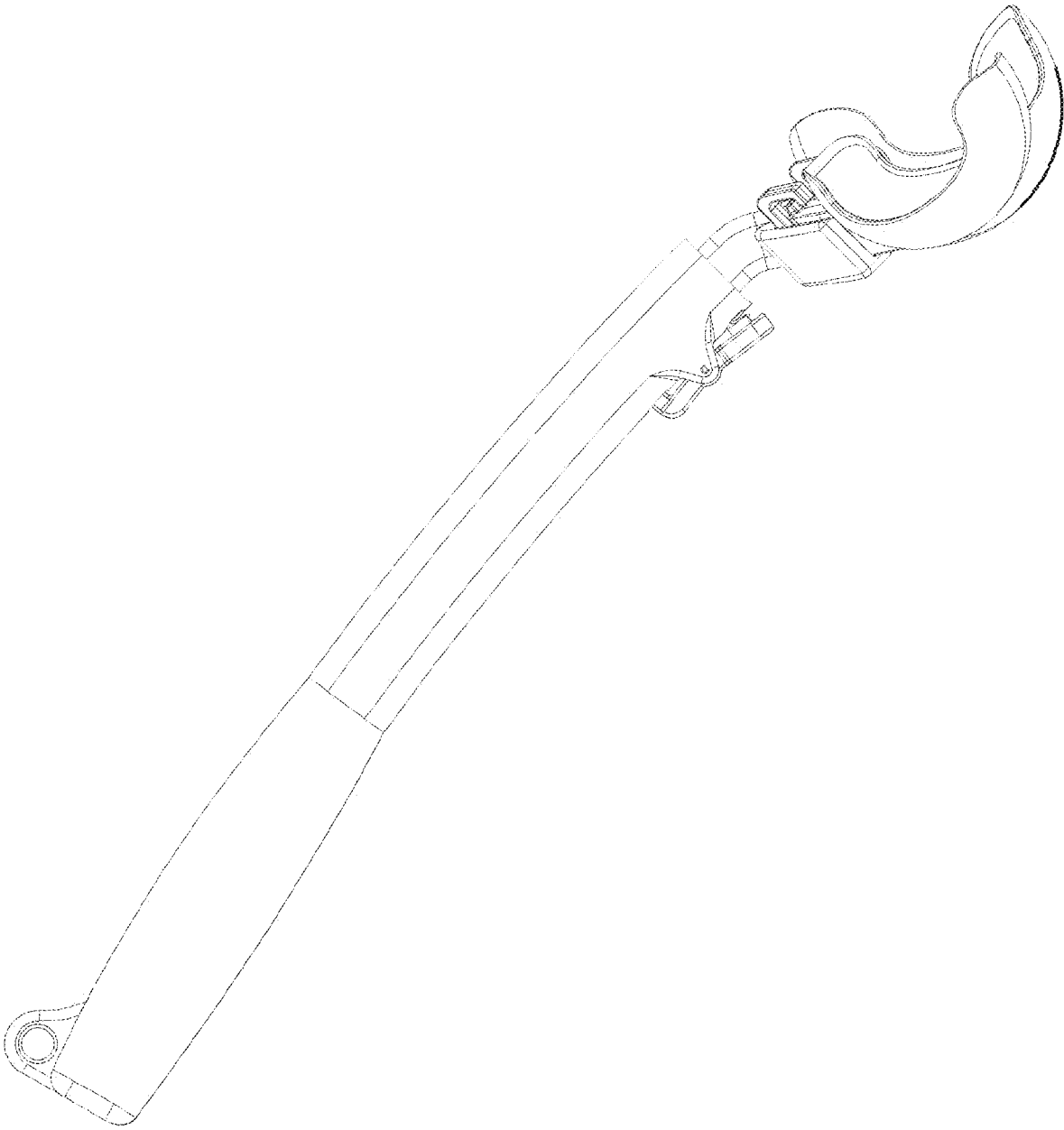


FIG. 3

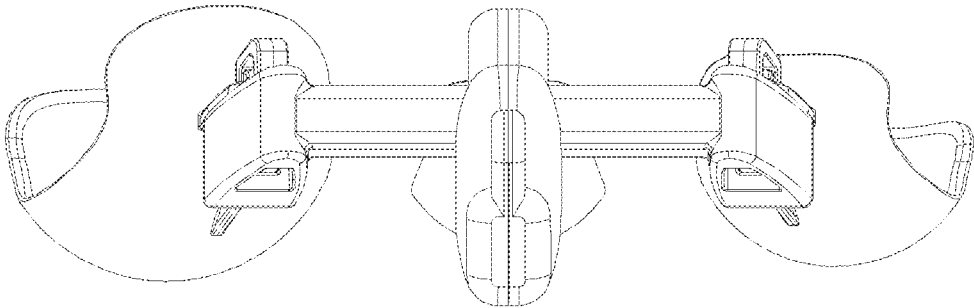


FIG. 4

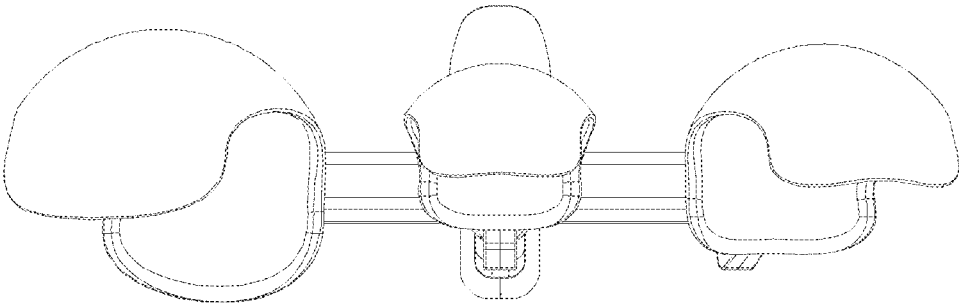


FIG. 5



FIG. 6

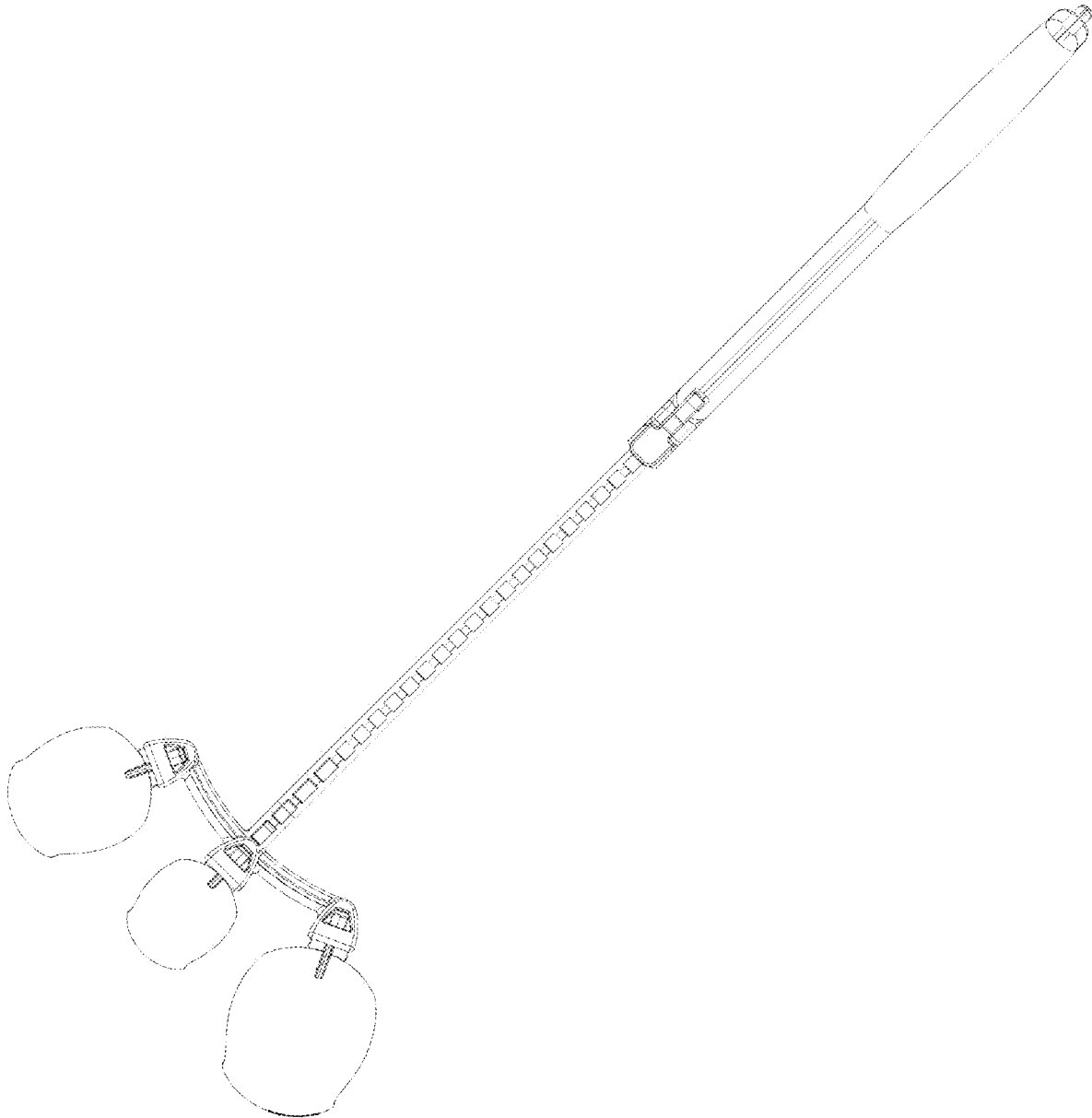


FIG. 7

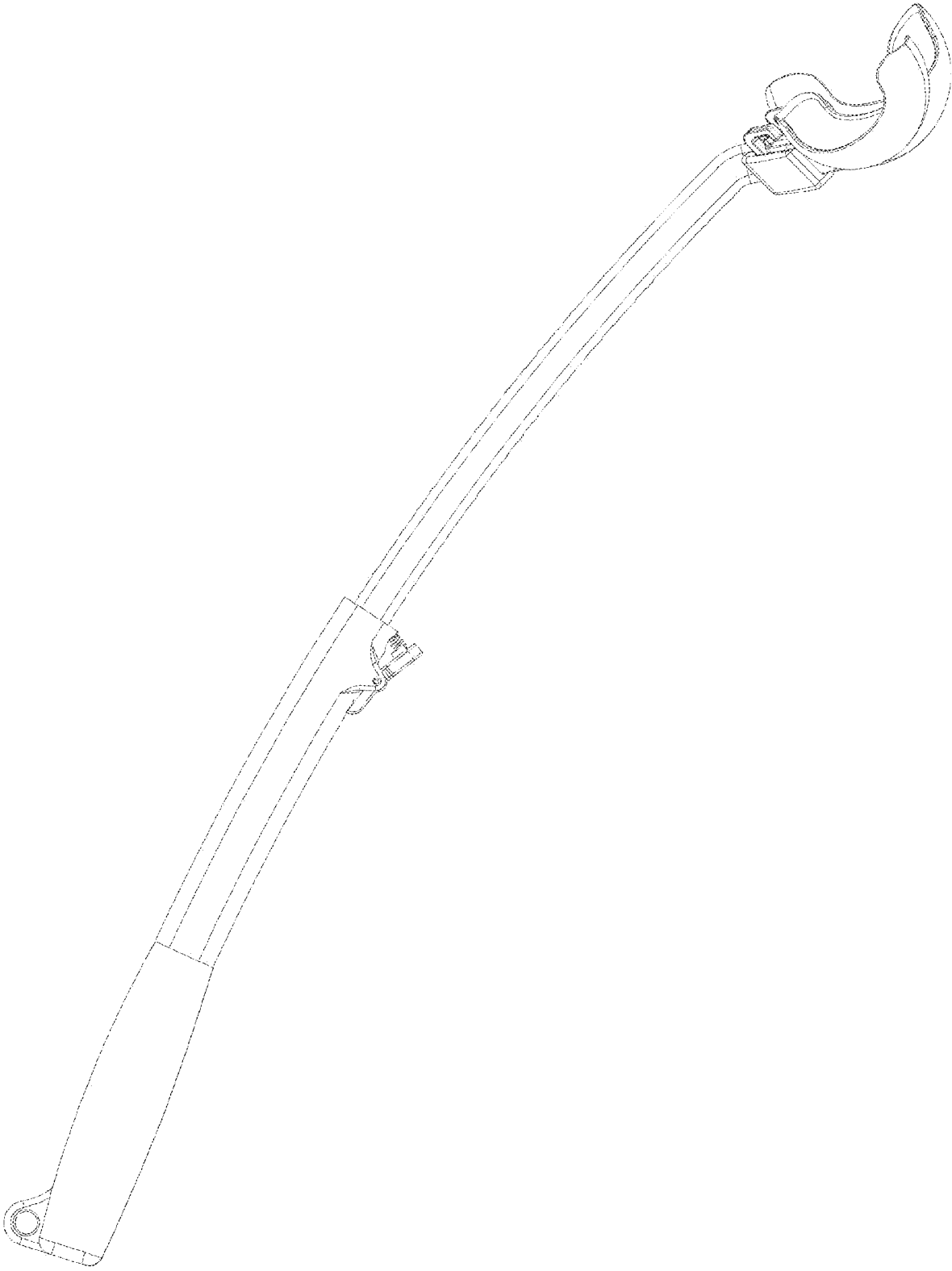


FIG. 8



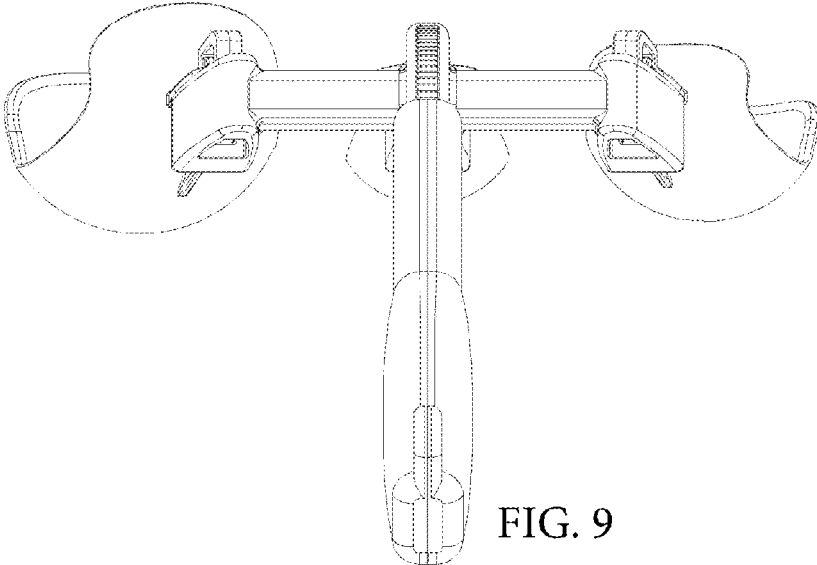


FIG. 9

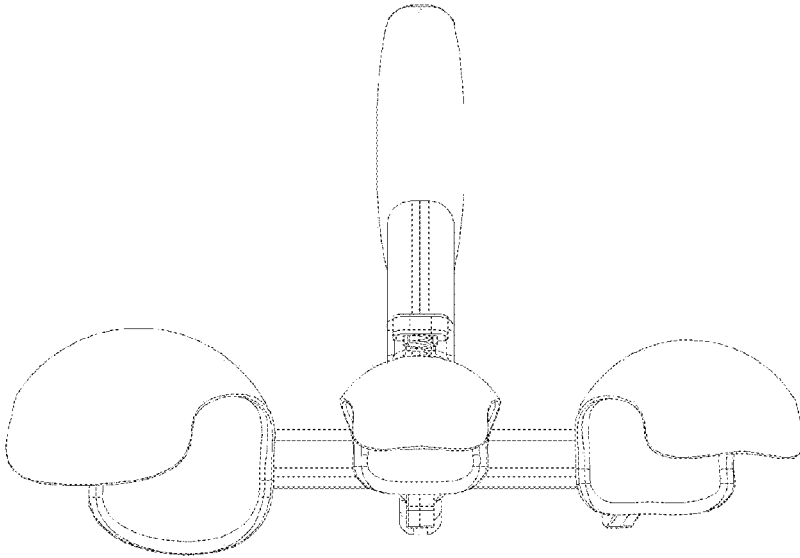


FIG. 10